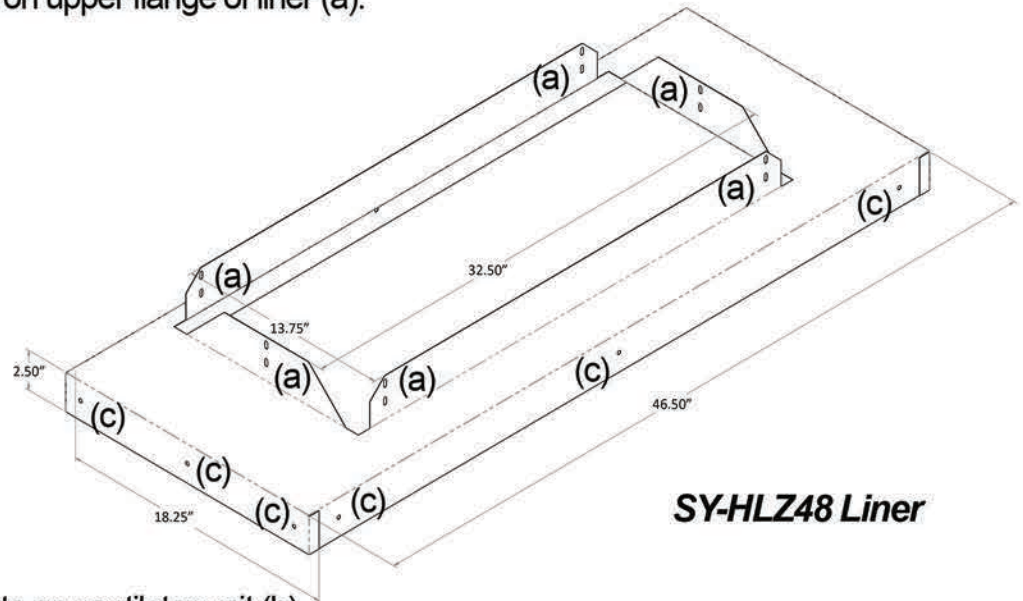


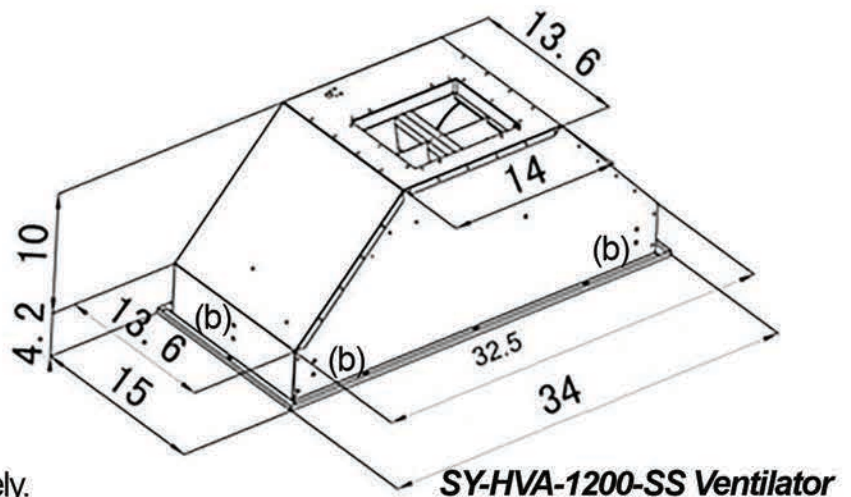
## Installation Instructions for mounting HLZ Liners/Ventilators in wood range hoods

Ventilator must be attached to liner before mounting in range hood.

- 1) Open ventilator carton and locate hardware kit.
- 2) Open Kit and remove installation screws. Disregard mounting brackets (for soffit application only).
- 3) Locate pre-drilled slotted holes on upper flange of liner (a).



- 4) Align holes with threaded inserts on ventilator unit (b).
- 5) There are six sets of threaded inserts, two on each side and one on each end.



- 6) Insert machine screws and tighten securely.
- 7) Assembled unit can now be installed in wood range hood.
- 8) Attached assembled unit to range hood using 5/8" wood screws into pre-drilled holes (c).