



# 600 CFM Ventilator Power Pack

## **BROAN** SY-HV-600SSV

## Power Pack PM SERIES

**Description:** Broan® 21" 650 MAX CFM Built-in Power Pack

**Dimensions:** 21 3/8" L x 11 7/16" W x 10 9/16" H

**Control:** Electronic Soft touch – 4-speed, 3-level light

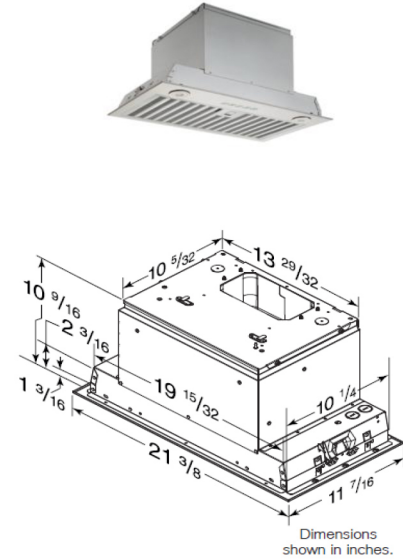
<b>Max. Blower CFM:</b>	650
<b>HVI CFM – Speed 4 (High):</b>	600*
<b>Rated CFM – Speed 3:</b>	300*
<b>Rated CFM – Speed 2 (Normal):</b>	190*
<b>HVI CFM – Speed 1 (Working):</b>	130*
<b>CRT CFM:</b>	300, 400

<b>Sones – Speed 4:</b>	9.5*
<b>Sones – Speed 3:</b>	3.3*
<b>Sones – Speed 2 (Normal):</b>	1.0*
<b>Sones – Speed 1 (Working):</b>	0.8*

\*Rating with 8" round vert.

**LED Lights:**

- **Lumens:** > 300
- **LUX** 500
- **CCT:** 3,000K
- **CRI:** Ra ≥ 80, R9 ≥ 0
- **Luminous Efficacy:** > 90 Lumen/W
- **Lumen Maintenance:** L70 ≥ 25,000 hours
- **Power:** 3W
- **Design Temperature:** 85C



Dimensions shown in inches.

<b>Auto-Sensing:</b>	YES
<b>WiFi:</b>	YES
<b>Heat Sentry</b>	YES
<b>Master On/Off:</b>	YES

- Will accommodate ranges with up to 60,000 BTU output

<b>Filters:</b>	(1) Hybrid Baffle
<b>Ducting:</b>	Vertical: 8" Round, 6" Round, 3 1/4" x 10" Horizontal: 3 1/4" x 10"
<b>Power Requirements:</b>	120 VAC, 60 Hz – TBD AMPS

<b>Energy Star Rated:</b>	NO
<b>ADA Compliant</b>	YES

**Accessories:**

- **Non-duct kit:** HARKPM21
- **ADA Switch Kit:** HAWRK5

