



Castlewood®

*Hardwood
Range Hood*

Specification Guide

Vol. VIII
2025



Design Enhancements by



Manufacturing Facility: 2781 Ellenburg Road
Haleyville, AL 35565

Warehouse: 1772 Airport Road
Haleyville, AL 35565

Mailing Address: P.O. Box 788
Haleyville, AL 35565

Customer Service: 800-346-4042
205-486-7558
(fax) 205-486-7585
service@castlewood.com

Products Offered: Bar Brackets
Bun Feet
Corbels
Drawer Sides
Face Frame Parts
Fillers
Floating Shelves
Island Posts
Kitchen Accessories
Moldings
Ornaments
Pillars
Range Hoods
Stemware Holders
Table Legs
Valances
Vanity Bases
Ventilation
Wine Lattice

Wood Species: Alder
Cherry
Hickory
Maple
Red Oak
White Oak
Spruce

Lead Time: 2-3 Weeks

This manual is provided as a guide for specifying range hoods and components for new construction and remodeling applications. The information contained herein is intended for authorized dealers and their clients. Proper care and safety should be used when working with tools or installing electrical components.

The materials used to produce the products in this manual are of the highest quality available. The construction methods and joinery employed are in accordance with standards established by the
KCMA
 (Kitchen Cabinet Manufacturers Association).

These fine products are sanded and ready to be finished. The dimensional information contained here is deemed to be accurate at the time of printing. Castlewood reserves the right to change specifications without notice. For access to the most current information, please visit www.castlewood.com.



Table of Contents



Chimney Hoods

Traditional Chimney Range Hood	2
Arched Valance Chimney Range Hood	3
Tall Traditional Chimney Range Hood	4
Corbel Chimney Range Hoods	5
Gourmet Chimney Range Hood	6
Epicurean Chimney Range Hood	7
Epicurean Arch Chimney Range Hood	8
Epicurean Elite Chimney Range Hood	9
Executive Chimney Range Hood	10
Cascade Chimney Range Hood	11
Rustic Shiplap Chimney Range Hood	12
Shiplap Chimney Range Hood	13
Rustic XL Shiplap Chimney Hood	14
XL Shiplap Chimney Range Hood	15
Shiplap Epicurean Chimney Range Hood	16
Rustic Shiplap Epicurean Range Hood	17
Paint Grade Shiplap Chimney Range Hood	18
Transitional Chimney Range Hood	19

Island Hoods

Chimney Style Island Range Hood	20
Shiplap Island Range Hood	21
Arched Valance Island Range Hood	22
Arched Corbel Island Range Hoods	23

Range Hood Fronts

Shaker Range Hood Front	24
Rustic Shiplap Hood Front	25
Shiplap Hood Front	26
Chimney Range Hood Front	27
Applied Molding Chimney Hood Front	28
Arched Plain Chimney Range Hood Front	29
Mantel Range Hood Front	30
Arched Raised Panel Mantel Range Hood Front	31
Applied Molding Mantel Hood Front	32
Arched Plain Mantel Range Hood Front	33
Shaker Mantel Range Hood Front	34
Shiplap Mantel Hood Front	35
Convex Range Hood Front	36
Tall Convex Range Hood Front	37
Coved Mantel Range Hood Front	38

Mantel Hoods

Mantel Range Hoods	39-42
Arched Raised Panel Mantel Range Hood	43-46
Applied Molding Mantel Range Hood	47-48
Arched Plain Valance Mantel Range Hood	49-52
Decorative Mantel Range Hood	53
Contemporary Box Range Hood	54
Detachable 2 Piece Box Range Hood	55
Shaker Box Range Hood	56
Classic Mantel Range Hood	57
Connoisseur Mantel Range Hood	58-59
Connoisseur Classic Mantel Range Hood	60-61
Connoisseur Shaker Mantel Hood	62-63
Contemporary Mantel Range Hood	64-65
Shiplap Mantel Range Hood	66
Shiplap Box Range Hood	67
Shiplap Box Range Hood w/Extra Depth	68
Shiplap Arched Box Range Hood	69

Pillars

Flat Panel Mantel Hood Pillars	70
Flat Panel Mantel Pillars with Pullouts	71

Chimney Extensions

Shiplap Chimney Extensions	73
Chimney Hood Trim Kits	74

Range Hood Bases

Arched Plain Valance Range Hood Base	75
Straight Valance Range Hood Base	76
Arched Raised Panel Valance Range Hood Base	77

Floating Shelves

Plain Floating Shelf	78
Rustic Floating Shelves	79
Traditional Mantel Shelf	80
Coved Mantel Shelf	81

Valances

	82
--	----

Range Hood Corbels

	83-85
--	-------

Liners

HLT T-shape Steel Liners	86
HLB Rectangular Steel Liners	87
HLZ Large Ventilator Steel Liners	88-89

Recirculating Kits

HHARKPM21	86
HVASDK	86

Ventilation

Broan 300 CFM Economy Power Pack	90
Broan 400 CFM Ventilation Power Pack	91
Broan 600 CFM Ventilation Power Pack	92
Ascension 350 CFM Economy Power Pack	93
Ascension 350 CFM Ventilation Power Pack	94
Ascension 500 CFM Ventilation Power Pack	95
Ascension 620 CFM Ventilation Power Pack	96
Ascension 900 CFM Ventilation Power Pack	97
Ascension 1200 CFM Ventilation Power Pack	98
Broan Makeup Air Kits	99

Installation Instructions

Chimney Range Hood mounting instructions	100
Shiplap Chimney Hood mounting instructions	101
Island Chimney Hood mounting Instructions	102-103
Removable Access Chimney Hood mounting instructions	104
Chimney Hood Front mounting instructions	105
Mantel Range Hood mounting instructions	106
Mantel Range Hood Front mounting instructions	107
Box Range Hood mounting instructions	108
HVASDK recirculating kit instructions (top vent)	109
HVASDK recirculating kit instructions (side vent)	110
Floating Shelf mounting instructions	111
Push Button Switch Control replacement instructions	112
Chimney Trim Kit installation instructions	113

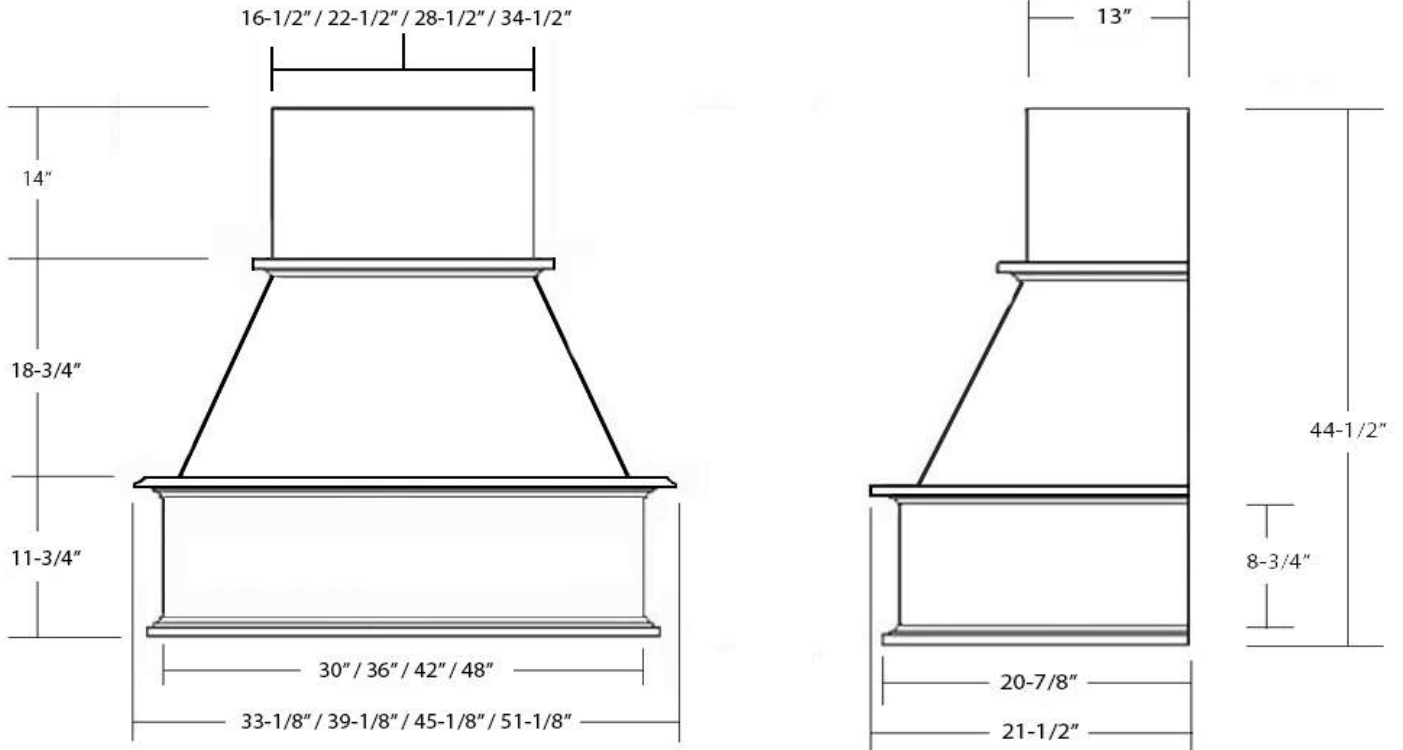




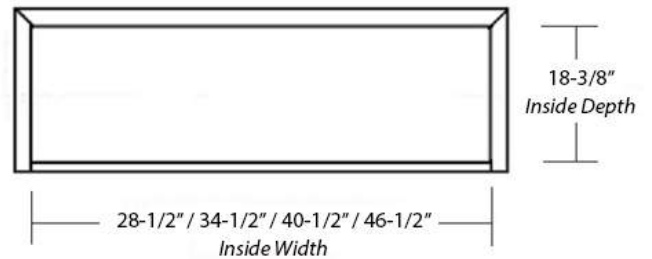
Traditional Chimney Style Range Hood

Front View

Side View



Item #	Dimensions (h) x (w) x (d)	Liner	Liner
WCH30	44-1/2" X 33-1/8" X 21-1/2"	HLB30	HLZ30
WCH36	44-1/2" X 39-1/8" X 21-1/2"	HLB36	HLZ36
WCH42	44-1/2" X 45-1/8" X 21-1/2"	HLB42	HLZ42
WCH48	44-1/2" X 51-1/8" X 21-1/2"	HLB48	HLZ48



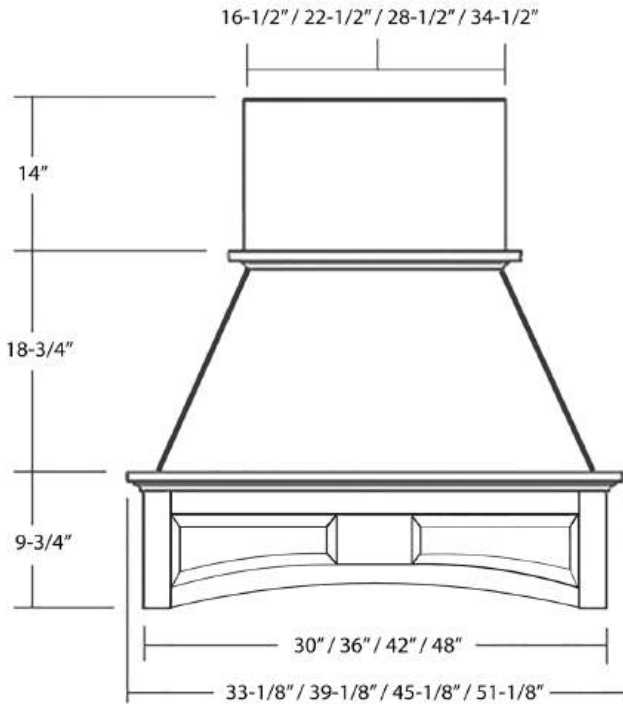
- Hardwood Plywood and Solid Lumber Construction
- Accepts HLB series Powder Coated or Stainless Steel Liners (*sold separately*)
- Select from 300, 400, and 600 CFM Broan Ventilation power packs (*sold separately*) or
- Ascension 350SL, 350SS, 500SS and 620SS CFM Ventilation power packs (*sold separately*) or
- 30" and 36" models accept Ascension 900 CFM Professional Ventilators (*requires HLZ series Liners*)
- 42" and 48" models accept Ascension 1200 CFM Professional Ventilators (*requires HLZ series Liners*)
- Available in Alder, Cherry, Hickory, Maple, Red Oak, White Oak and Paintgrade (*primed*)
- Optional Detachable Upper Access available
- Includes standard 14" height Chimney Extension (*packaged separately*)
- Optional 24" and 36" height Chimney Extensions available
- Base section will accommodate Ornaments in sizes up to 6" x 24"



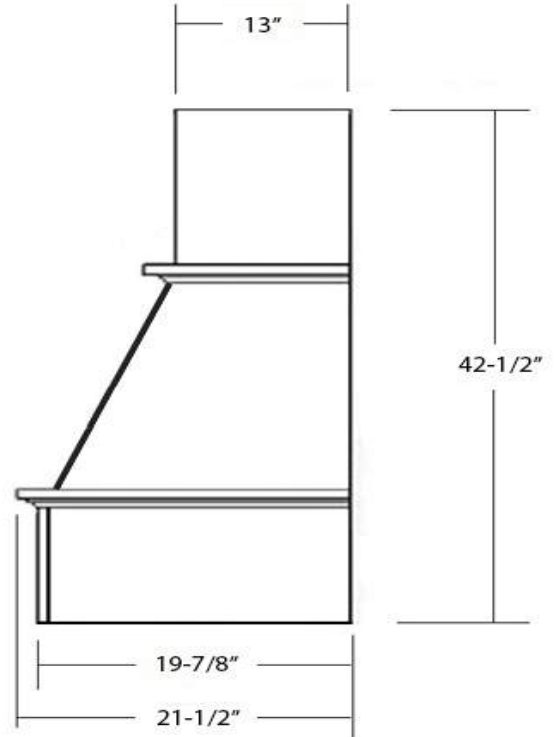
Arched Valance Chimney Range Hood



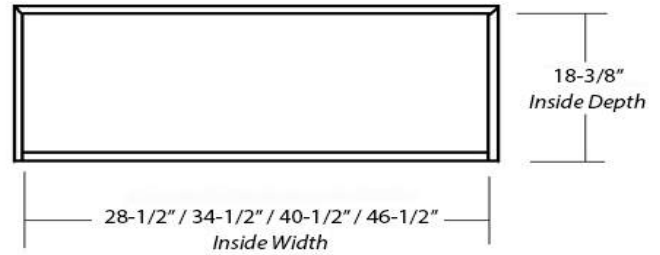
Front View



Side View



Item #	Dimensions (h) x (w) x (d)	Liner	Liner
WCHAP30	42-1/2" X 33-1/8" X 21-1/2"	HLB30	HLZ30
WCHAP36	42-1/2" X 39-1/8" X 21-1/2"	HLB36	HLZ36
WCHAP42	42-1/2" X 45-1/8" X 21-1/2"	HLB42	HLZ42
WCHAP48	42-1/2" X 51-1/8" X 21-1/2"	HLB48	HLZ48

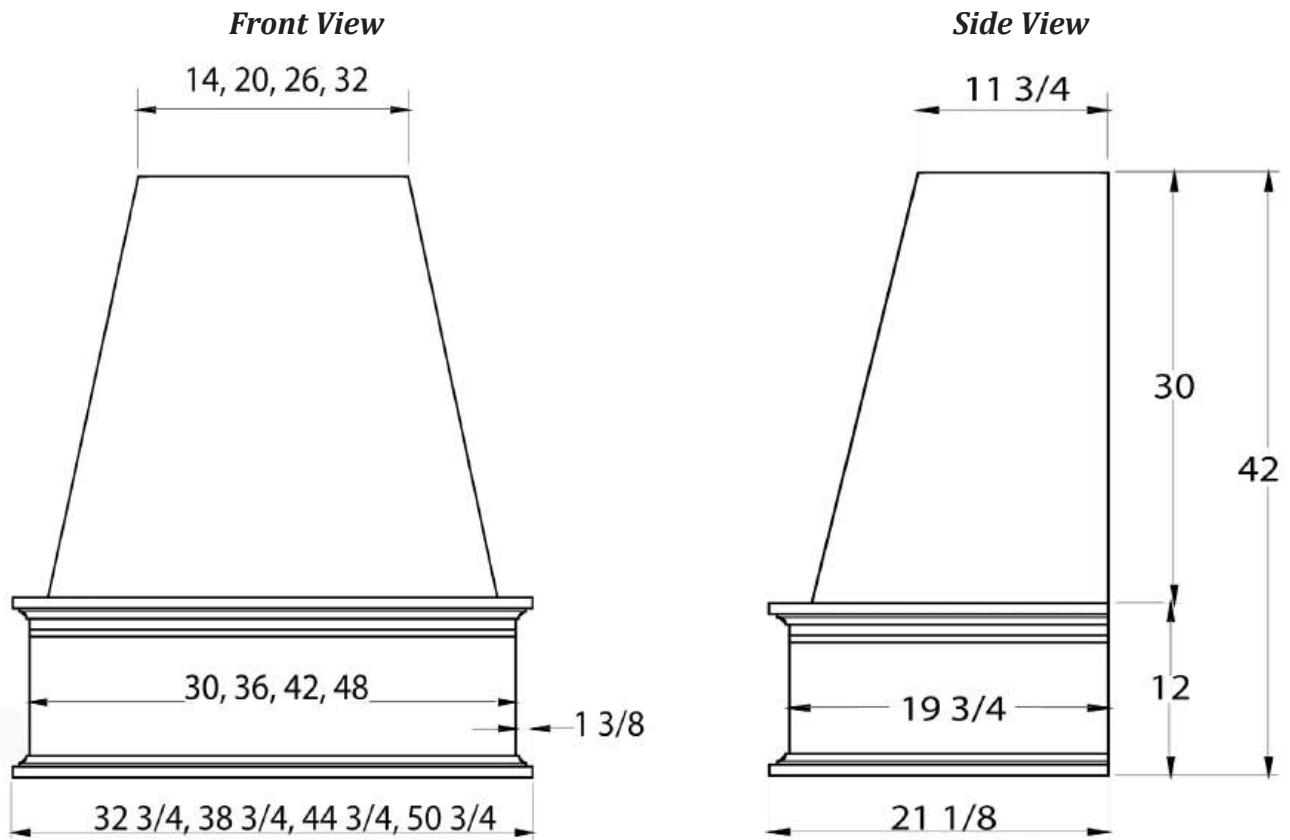


- Hardwood Plywood and Solid Lumber Construction
- Accepts HLB series Powder Coated or Stainless Steel Liners (*sold separately*)
- Select from 300, 400, and 600 CFM Broan Ventilation power packs (*sold separately*) or
- Ascension 350SL, 350SS and 500SS CFM Ventilation power packs (*sold separately*) or
- Ascension 620SS Ventilation power packs (36" and greater models only)
- 30" and 36" models accept Ascension 900 CFM Professional Ventilators (requires HLZ series Liners)
- 42" and 48" models accept Ascension 1200 CFM Professional Ventilators (requires HLZ series Liners)
- Available in Cherry, Maple and Red Oak
- Optional Detachable Upper Access available
- Includes standard 14" height Chimney Extension (*packaged separately*)
- Optional 24" and 36" height Chimney Extensions available

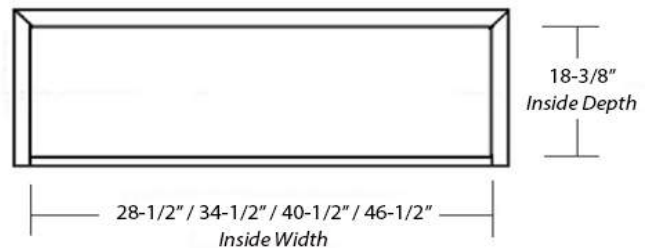




Tall Traditional Chimney Hood



Item #	Dimensions (h) x (w) x (d)	Liner	Liner
WCHH30	42" X 32-3/4" X 21-1/8"	HLB30	HLZ30
WCHH36	42" X 38-3/4" X 21-1/8"	HLB36	HLZ36
WCHH42	42" X 44-3/4" X 21-1/8"	HLB42	HLZ42
WCHH48	42" X 50-3/4" X 21-1/8"	HLB48	HLZ48



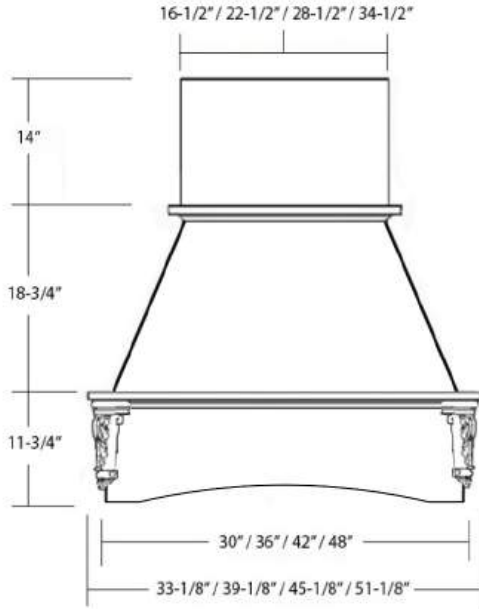
- Hardwood Plywood and Solid Lumber Construction
- Accepts HLB series Powder Coated or Stainless Steel Liners (*sold separately*)
- Select from 300, 400, and 600 CFM Broan Ventilation power packs (*sold separately*) or
- Ascension 350SL, 350SS, 500SS and 620SS CFM Ventilation power packs (*sold separately*) or
- 30" and 36" models accept Ascension 900 CFM Professional Ventilators (*requires HLZ series Liners*)
- 42" and 48" models accept Ascension 1200 CFM Professional Ventilators (*requires HLZ series Liners*)
- Available in Alder, Cherry, Hickory, Maple, Red Oak, and White Oak
- Detachable Upper Access is standard
- Optional 15", 24", and 36" height Chimney Extensions available
- Base section will accommodate Ornaments in sizes up to 6" x 24"



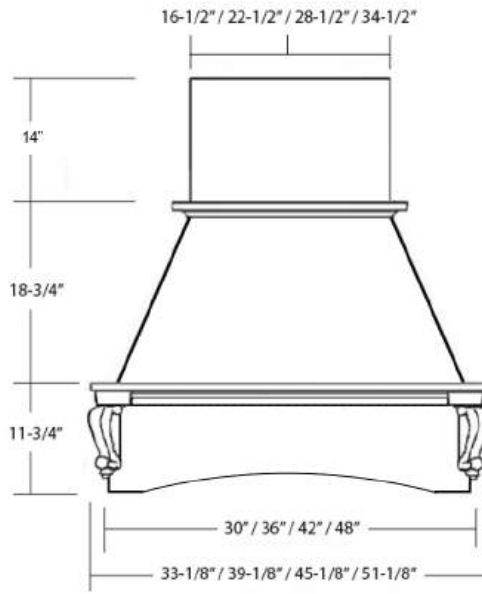
Corbel Chimney Range Hoods



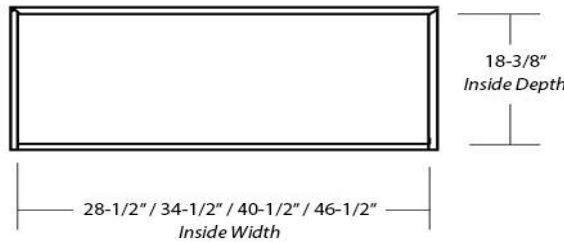
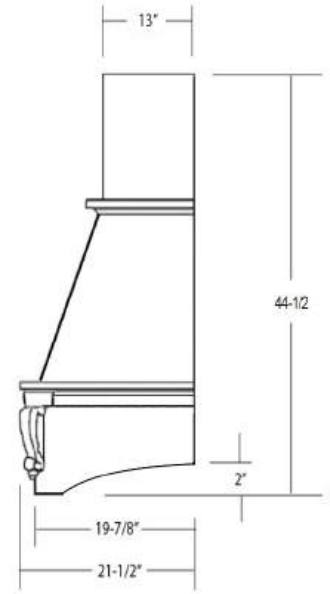
WCHAC Front View



WCHAS Front View



Side Views



Item #	Dimensions (h) x (w) x (d)	Liner	Liner
WCHAC30	44-1/2" X 33-1/8" X 21-1/2"	HLB30	HLZ30
WCHAC36	44-1/2" X 39-1/8" X 21-1/2"	HLB36	HLZ36
WCHAC42	44-1/2" X 45-1/8" X 21-1/2"	HLB42	HLZ42
WCHAC48	44-1/2" X 51-1/8" X 21-1/2"	HLB48	HLZ48

Item #	Dimensions (h) x (w) x (d)	Liner	Liner
WCHAS30	44-1/2" X 33-1/8" X 21-1/2"	HLB30	HLZ30
WCHAS36	44-1/2" X 39-1/8" X 21-1/2"	HLB36	HLZ36
WCHAS42	44-1/2" X 45-1/8" X 21-1/2"	HLB42	HLZ42
WCHAS48	44-1/2" X 51-1/8" X 21-1/2"	HLB48	HLZ48

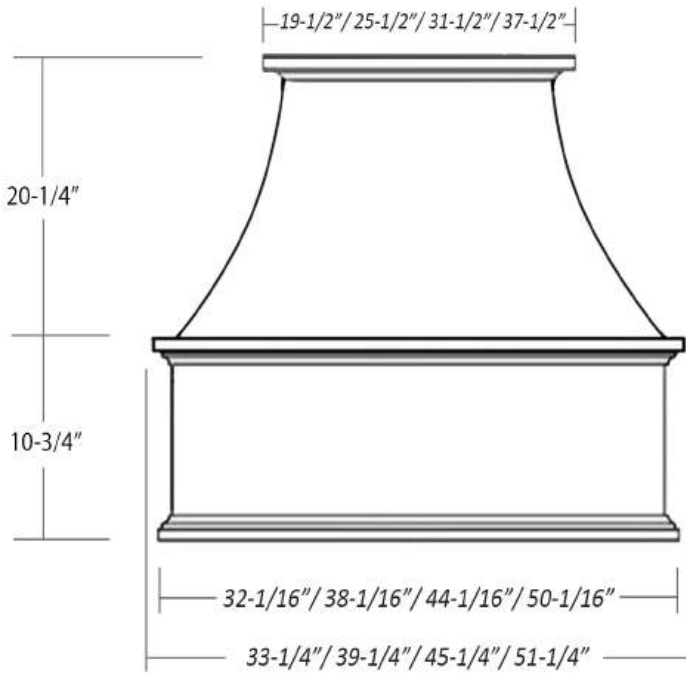
- Hardwood Plywood and Solid Lumber Construction
- Accepts HLB series Powder Coated or Stainless Steel Liners *(sold separately)*
- Select from 300, 400, and 600 CFM Broan Ventilation power packs *(sold separately)* or
- *Ascension 350SL, 350SS, 500SS and 620SS CFM Ventilator power packs (sold separately)* or
- *30" and 36" models accept Ascension 900 CFM Professional Ventilators (requires HLZ series Liners)*
- *42" and 48" models accept Ascension 1200 CFM Professional Ventilators (requires HLZ series Liners)*
- Available in Cherry, Maple and Red Oak
- Includes standard 14" height Chimney Extension *(packaged separately)*
- Optional 24" and 36" height Chimney Extensions available



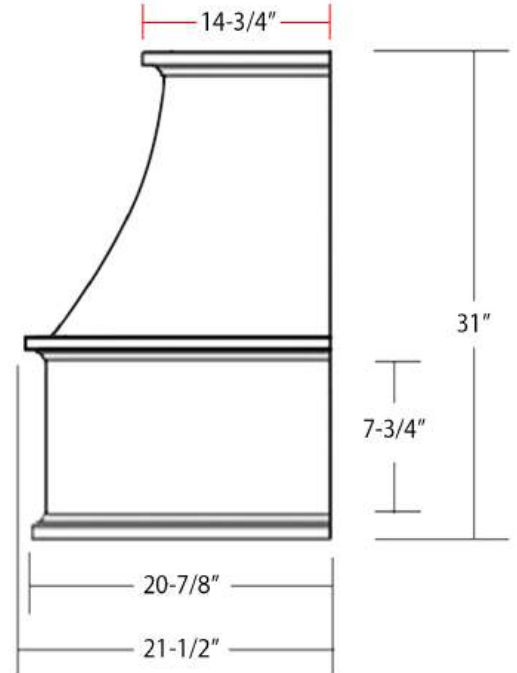


Gourmet Chimney Range Hood

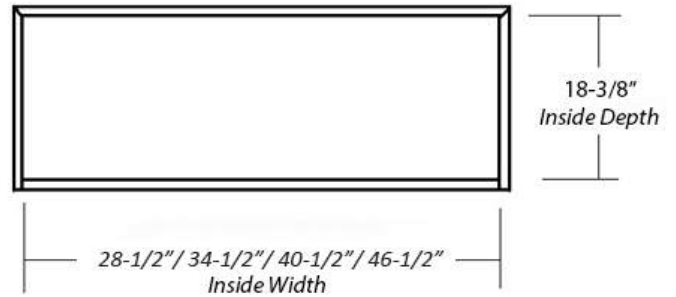
Front View



Side View



Item #	Dimensions (h) x (w) x (d)	Liner	Liner
WCVS30	31" X 33-1/4" X 21-1/2"	HLB30	N/A
WCVS36	31" X 39-1/4" X 21-1/2"	HLB36	HLZ36
WCVS42	31" X 45-1/4" X 21-1/2"	HLB42	HLZ42
WCVS48	31" X 51-1/4" X 21-1/2"	HLB48	HLZ48



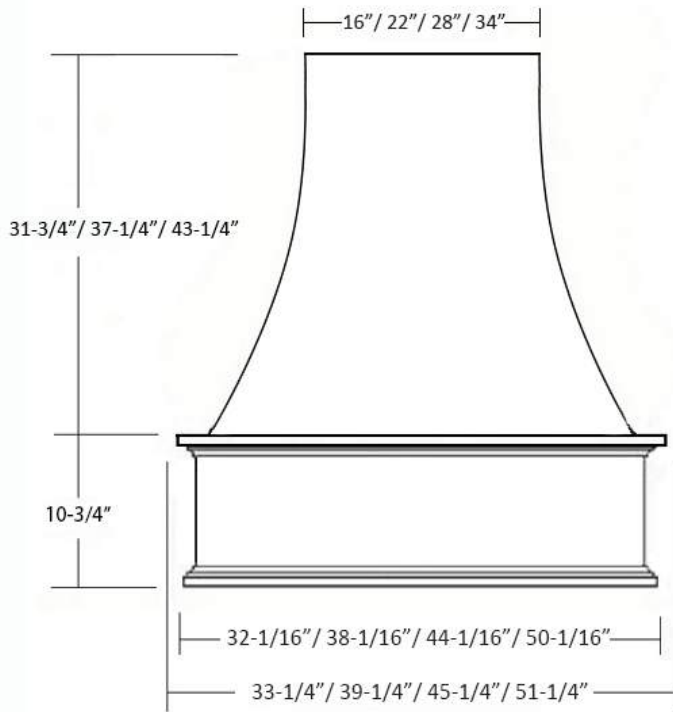
- Veneer, Hardwood Plywood and Solid Lumber Construction
- Accepts HLB series Powder Coated or Stainless Steel Liners (sold separately)
- Select from 300, 400 and 600 CFM Broan Ventilation power packs (sold separately) or
- Ascension 350SL, 350SS, 500SS and 620SS CFM Ventilation power packs (sold separately) or
- 30" models accept Broan 300SS and Ascension 350SL, 350SS, and 500SS (only)
- 36" models accept Ascension 900 CFM Professional Ventilators (requires HLZ series Liners)
- 42" and 48" models accept Ascension 1200 CFM Professional Ventilators (requires HLZ series Liners)
- Available in Alder, Cherry, Hickory, Maple, Red Oak, and White Oak
- Optional Detachable Upper Access available
- Optional 14", 24" and 36" height Chimney Extensions available
- Base section will accommodate Ornament sizes up to 6" x 24"



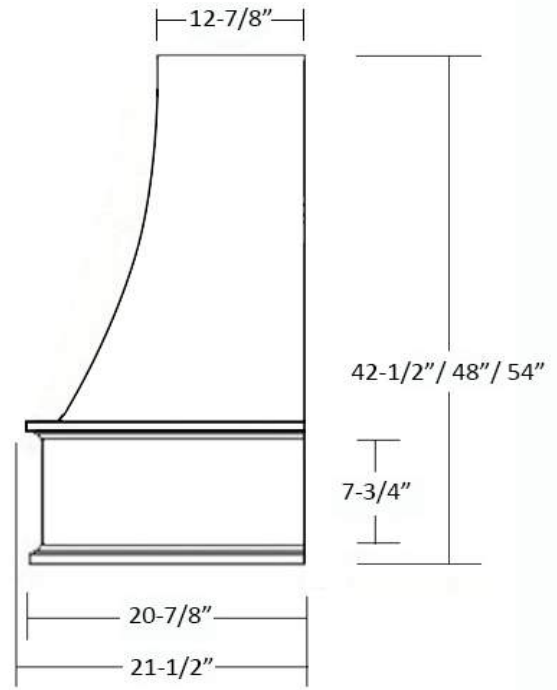
Epicurean Chimney Range Hood



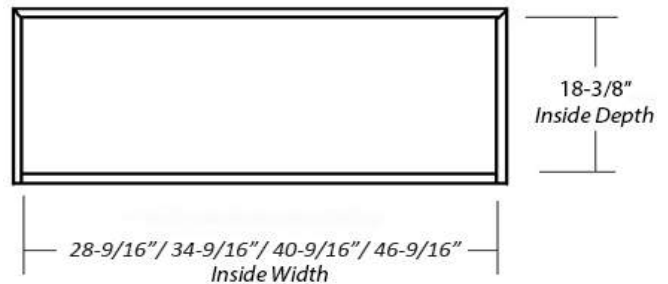
Front View



Side View



Item #	Dimensions (h) x (w) x (d)	Liner	Liner
WCVH3042	42-1/2" X 33-1/4" X 21-1/2"	HLB30	N/A
WCVH3642	42-1/2" X 39-1/4" X 21-1/2"	HLB36	HLZ36
WCVH4242	42-1/2" X 45-1/4" X 21-1/2"	HLB42	HLZ42
WCVH4842	42-1/2" X 51-1/4" X 21-1/2"	HLB48	HLZ48
WCVH3048	48" X 33-1/4" X 21-1/2"	HLB30	N/A
WCVH3648	48" X 39-1/4" X 21-1/2"	HLB36	HLZ36
WCVH4248	48" X 45-1/4" X 21-1/2"	HLB42	HLZ42
WCVH4848	48" X 51-1/4" X 21-1/2"	HLB48	HLZ48
WCVH3054	54" X 33-1/4" X 21-1/2"	HLB30	N/A
WCVH3654	54" X 39-1/4" X 21-1/2"	HLB36	HLZ36
WCVH4254	54" X 45-1/4" X 21-1/2"	HLB42	HLZ42
WCVH4854	54" X 51-1/4" X 21-1/2"	HLB48	HLZ48

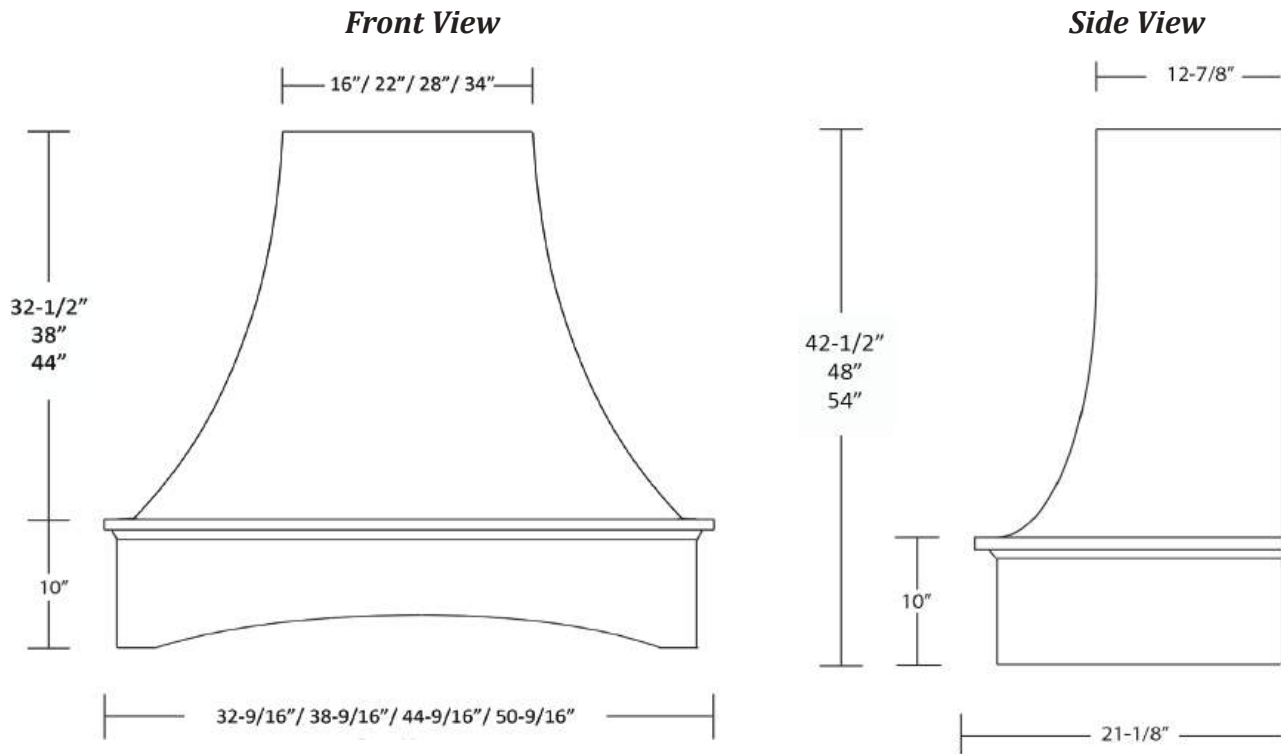


- Veneer, Hardwood Plywood and Solid Lumber Construction
- Accepts HLB series Powder Coated or Stainless Steel Liners (*sold separately*)
- Select from 300, 400 and 600 CFM Broan Ventilation power packs (*sold separately*) or
- *Ascension 350SL, 350SS, 500SS and 620SS CFM Ventilation power packs (sold separately) or*
- *30" models accept Broan 300SS and Ascension 350SL, 350SS, and 500SS (only)*
- *36" models accept Ascension 900 CFM Professional Ventilators (requires HLZ series Liners)*
- *42" and 48" models accept Ascension 1200 CFM Professional Ventilators (requires HLZ series Liners)*
- Available in Alder, Cherry, Hickory, Maple, Red Oak, and White Oak
- Optional Detachable Upper Access available
- Optional 14", 24" and 36" height Chimney Extensions available (*requires trim kit*)

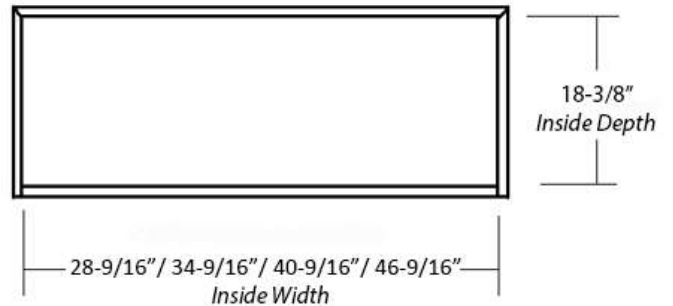




Epicurean Arch Chimney Range Hood



Item #	Dimensions (h) x (w) x (d)	Liner
WCVA3042	42-1/2" X 32-9/16" X 21-1/2"	HLB30
WCVA3642	42-1/2" X 38-9/16" X 21-1/2"	HLB36
WCVA4242	42-1/2" X 44-9/16" X 21-1/2"	HLB42
WCVA4842	42-1/2" X 50-9/16" X 21-1/2"	HLB48
WCVA3048	48" X 32-9/16" X 21-1/2"	HLB30
WCVA3648	48" X 38-9/16" X 21-1/2"	HLB36
WCVA4248	48" X 44-9/16" X 21-1/2"	HLB42
WCVA4848	48" X 50-9/16" X 21-1/2"	HLB48
WCVA3054	54" X 32-9/16" X 21-1/2"	HLB30
WCVA3654	54" X 38-9/16" X 21-1/2"	HLB36
WCVA4254	54" X 44-9/16" X 21-1/2"	HLB42
WCVA4854	54" X 50-9/16" X 21-1/2"	HLB48



- Veneer, Hardwood Plywood and Solid Lumber Construction
- Accepts HLB series Powder Coated or Stainless Steel Liners (*sold separately*)
- Select from 300, 400 and 600 CFM Broan Ventilation power packs (*sold separately*) or Ascension 350SL, 350SS, 500SS and 620SS CFM Ventilation power packs (*sold separately*)
- 30" models accept Broan 300SS and Ascension 350SL, 350SS, and 500SS (only)
- Available in Alder, Cherry, Hickory, Maple, Red Oak and White Oak
- Optional Detachable Upper Access available
- Optional 14", 24" and 36" height Chimney Extensions available (*requires trim kit*)

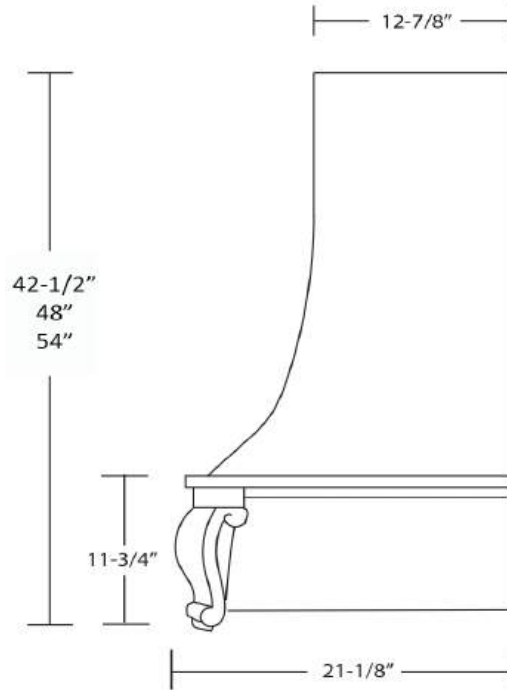
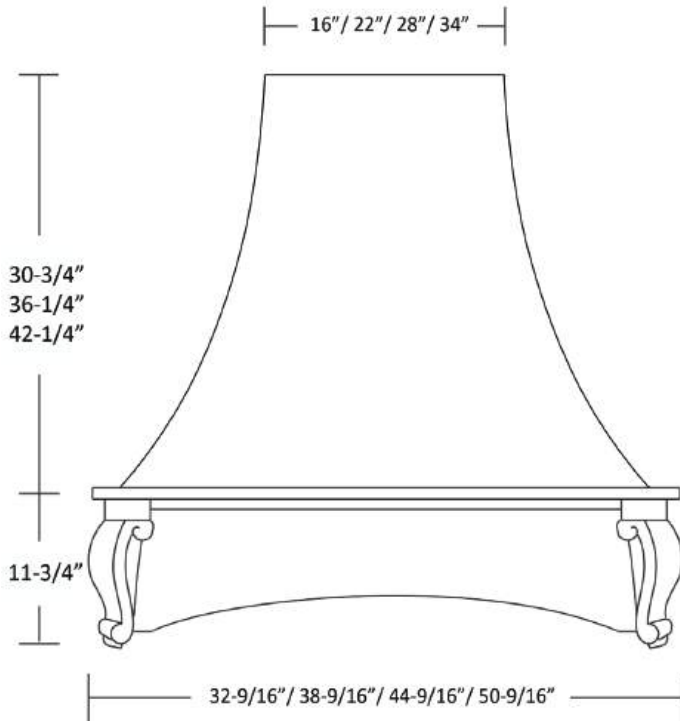


Epicurean Elite Range Hood

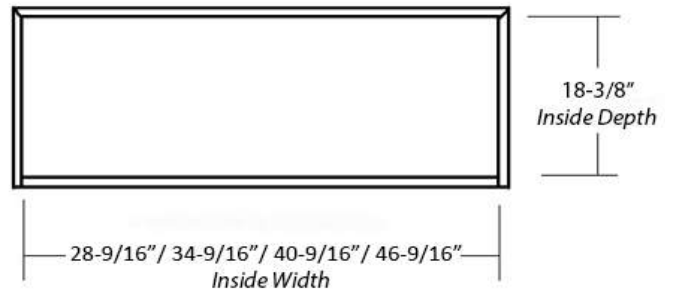


Front View

Side View



Item #	Dimensions (h) x (w) x (d)	Liner
WCVAC3042	42-1/2" X 32-9/16" X 21-1/2"	HLB30
WCVAC3642	42-1/2" X 38-9/16" X 21-1/2"	HLB36
WCVAC4242	42-1/2" X 44-9/16" X 21-1/2"	HLB42
WCVAC4842	42-1/2" X 50-9/16" X 21-1/2"	HLB48
WCVAC3048	48" X 32-9/16" X 21-1/2"	HLB30
WCVAC3648	48" X 38-9/16" X 21-1/2"	HLB36
WCVAC4248	48" X 44-9/16" X 21-1/2"	HLB42
WCVAC4848	48" X 50-9/16" X 21-1/2"	HLB48
WCVAC3054	54" X 32-9/16" X 21-1/2"	HLB30
WCVAC3654	54" X 38-9/16" X 21-1/2"	HLB36
WCVAC4254	54" X 44-9/16" X 21-1/2"	HLB42
WCVAC4854	54" X 50-9/16" X 21-1/2"	HLB48

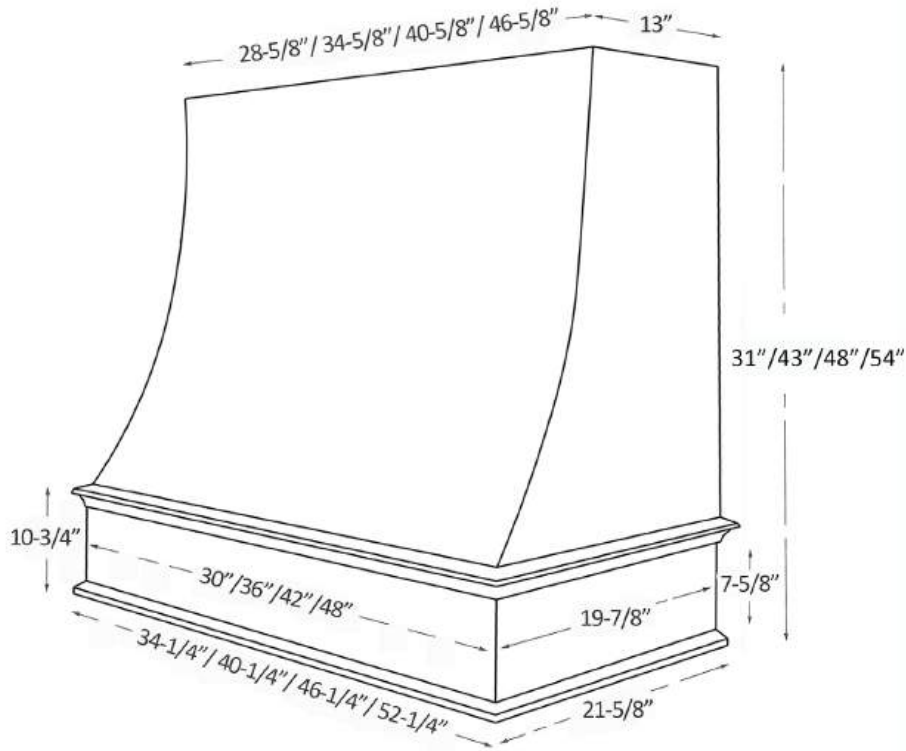


- Veneer, Hardwood Plywood and Solid Lumber Construction
- Accepts HLB series Powder Coated or Stainless Steel Liners (*sold separately*)
- Select from 300, 400 and 600 CFM Broan Ventilation power packs (*sold separately*) or
- *Ascension 350SL, 350SS, 500SS and 620SS CFM Ventilation power packs (sold separately)*
- *30" models accept Broan 300SS and Ascension 350SL, 350SS, and 500SS (only)*
- Available in Cherry, Maple and Red Oak
- Optional Detachable Upper Access available
- Optional 14", 24" and 36" height Chimney Extensions available (*requires trim kit*)

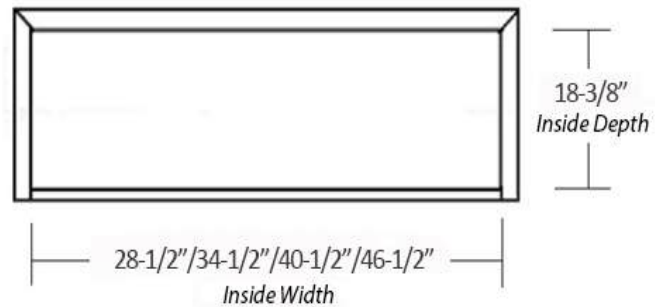




Executive Chimney Range Hood



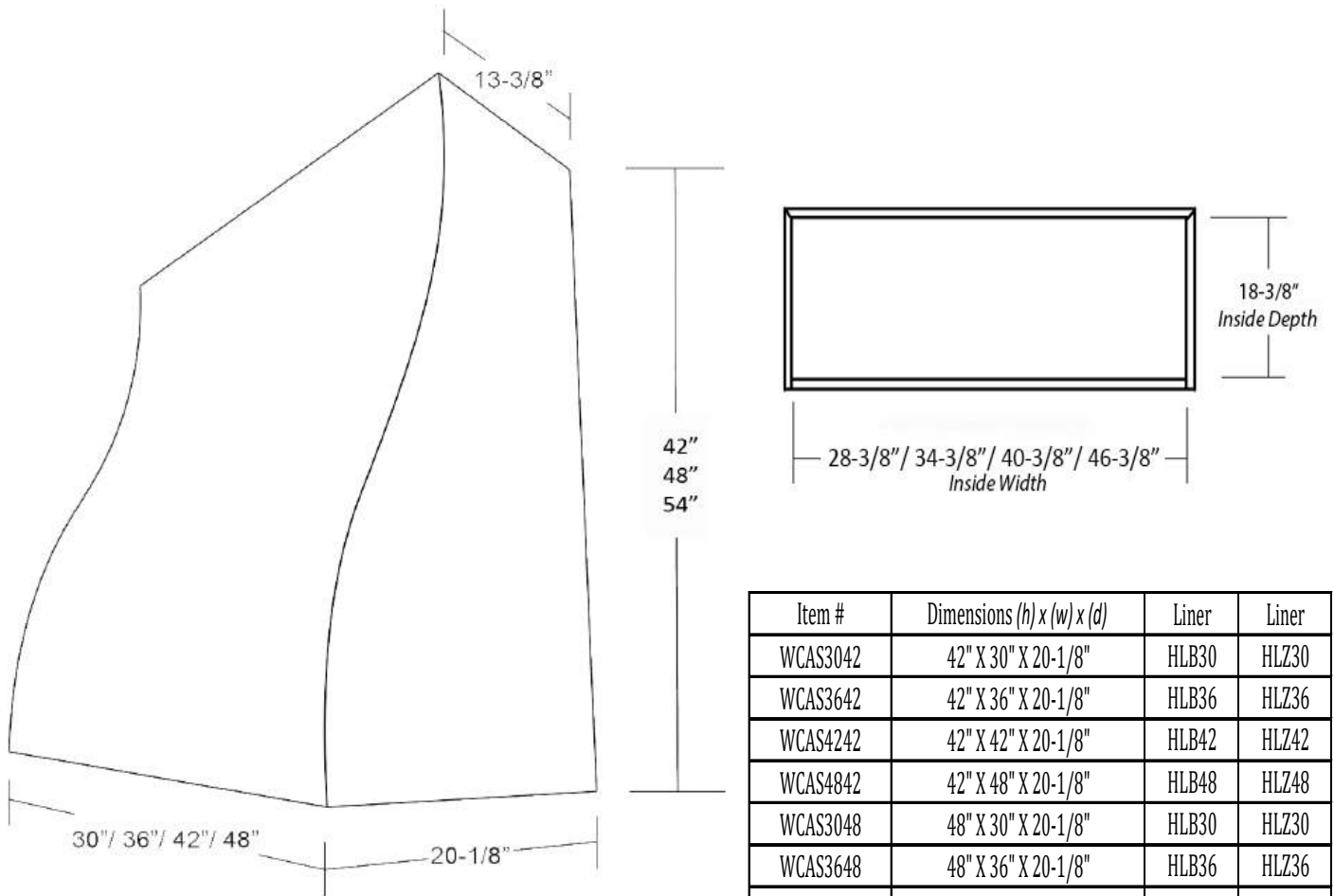
Item #	Dimensions (h) x (w) x (d)	Liner	Liner
WCVX3030	31" X 34-1/4" X 21-5/8"	HLB30	HLZ30
WCVX3630	31" X 40-1/4" X 21-5/8"	HLB36	HLZ36
WCVX4230	31" X 46-1/4" X 21-5/8"	HLB42	HLZ42
WCVX4830	31" X 52-1/4" X 21-5/8"	HLB48	HLZ48
WCVX3042	43" X 34-1/4" X 21-5/8"	HLB30	HLZ30
WCVX3642	43" X 40-1/4" X 21-5/8"	HLB36	HLZ36
WCVX4242	43" X 46-1/4" X 21-5/8"	HLB42	HLZ42
WCVX4842	43" X 52-1/4" X 21-5/8"	HLB48	HLZ48
WCVX3048	48" X 34-1/4" X 21-5/8"	HLB30	HLZ30
WCVX3648	48" X 40-1/4" X 21-5/8"	HLB36	HLZ36
WCVX4248	48" X 46-1/4" X 21-5/8"	HLB42	HLZ42
WCVX4848	48" X 52-1/4" X 21-5/8"	HLB48	HLZ48
WCVX3054	54" X 34-1/4" X 21-5/8"	HLB30	HLZ30
WCVX3654	54" X 40-1/4" X 21-5/8"	HLB36	HLZ36
WCVX4254	54" X 46-1/4" X 21-5/8"	HLB42	HLZ42
WCVX4854	54" X 52-1/4" X 21-5/8"	HLB48	HLZ48



- Veneer, Hardwood Plywood and Solid Lumber Construction
- Accepts HLB series Powder Coated or Stainless Steel Liners (sold separately)
- Select from 300, 400 and 600 CFM Broan Ventilation power packs (sold separately) or
- Ascension 350SL, 350SS, 500SS and 620SS CFM Ventilation power packs (sold separately) or
- 30" and 36" models accept Ascension 900 CFM Professional Ventilators (requires HLZ series Liners)
- 42" and 48" models accept Ascension 1200 CFM Professional Ventilators (requires HLZ series Liners)
- Available in Alder, Cherry, Hickory, Maple, Red Oak, and White Oak
- Detachable Upper Access standard (-D)
- Optional 14", 24" and 36" height Chimney Extensions available



Cascade Chimney Range Hood



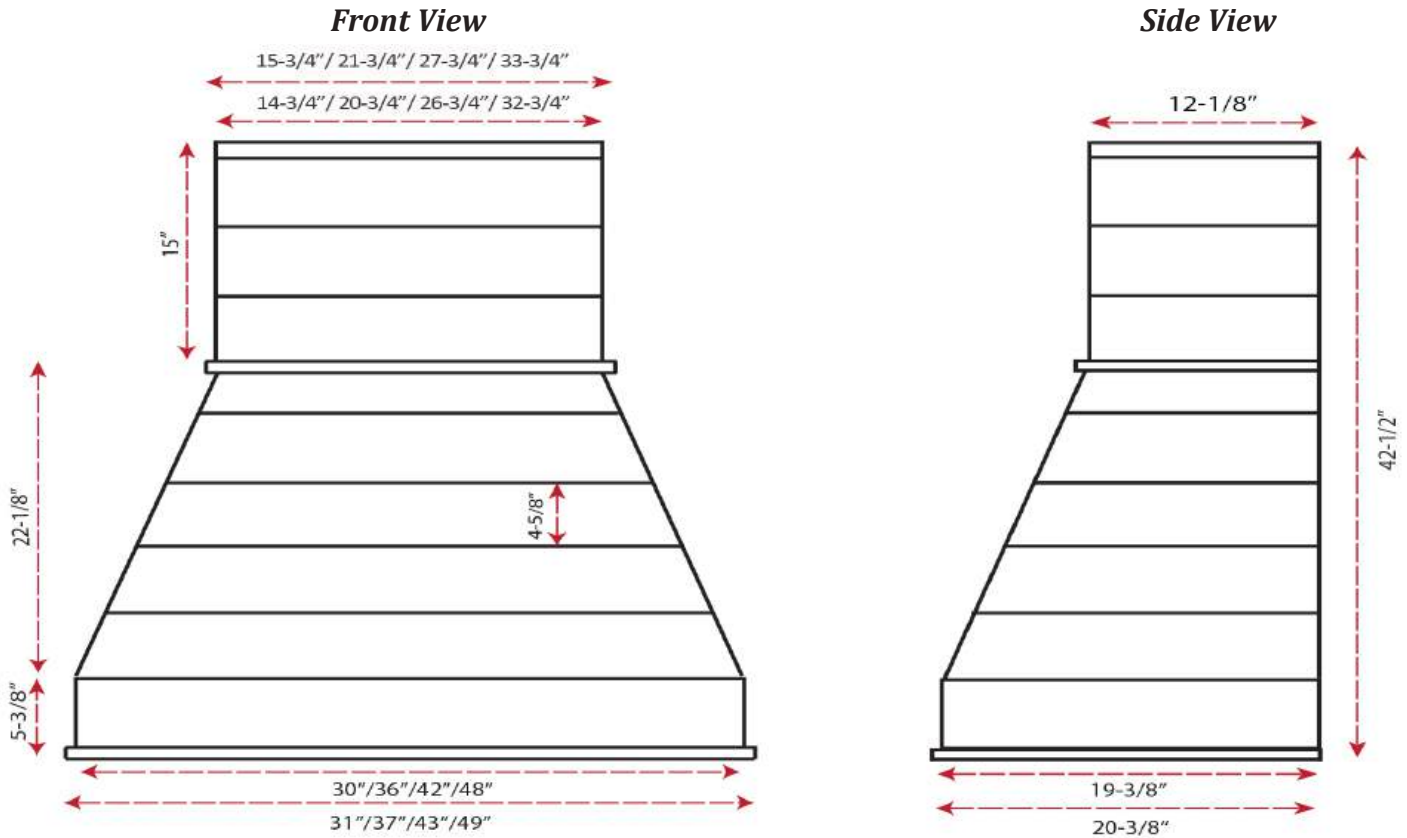
Item #	Dimensions (h) x (w) x (d)	Liner	Liner
WCAS3042	42" X 30" X 20-1/8"	HLB30	HLZ30
WCAS3642	42" X 36" X 20-1/8"	HLB36	HLZ36
WCAS4242	42" X 42" X 20-1/8"	HLB42	HLZ42
WCAS4842	42" X 48" X 20-1/8"	HLB48	HLZ48
WCAS3048	48" X 30" X 20-1/8"	HLB30	HLZ30
WCAS3648	48" X 36" X 20-1/8"	HLB36	HLZ36
WCAS4248	48" X 42" X 20-1/8"	HLB42	HLZ42
WCAS4848	48" X 48" X 20-1/8"	HLB48	HLZ48
WCAS3054	54" X 30" X 20-1/8"	HLB30	HLZ30
WCAS3654	54" X 36" X 20-1/8"	HLB36	HLZ36
WCAS4254	54" X 42" X 20-1/8"	HLB42	HLZ42
WCAS4854	54" X 48" X 20-1/8"	HLB48	HLZ48

- Veneer, Hardwood Plywood and Solid Lumber Construction
- Accepts HLB series Powder Coated or Stainless Steel Liners *(sold separately)*
- Select from 300, 400 and 600 CFM Broan Ventilation power packs *(sold separately)* or
- *Ascension 350SL, 350SS, 500SS and 620SS CFM Ventilation power packs (sold separately)* or
- *30" and 36" models accept Ascension 900 CFM Professional Ventilators (requires HLZ series Liners)*
- *42" and 48" models accept Ascension 1200 CFM Professional Ventilators (requires HLZ series Liners)*
- Available in Alder, Cherry, Hickory, Maple, Red Oak, and White Oak *(plain sliced, rift cut, or quarter sawn)*

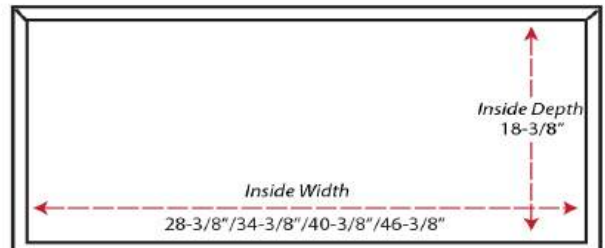




Rustic Shiplap Chimney Range Hood



Item #	Dimensions (h) x (w) x (d)	Liner
WCSLR30	42-1/2" X 31" X 20-3/8"	HLB30
WCSLR36	42-1/2" X 37" X 20-3/8"	HLB36
WCSLR42	42-1/2" X 43" X 20-3/8"	HLB42
WCSLR48	42-1/2" X 49" X 20-3/8"	HLB48



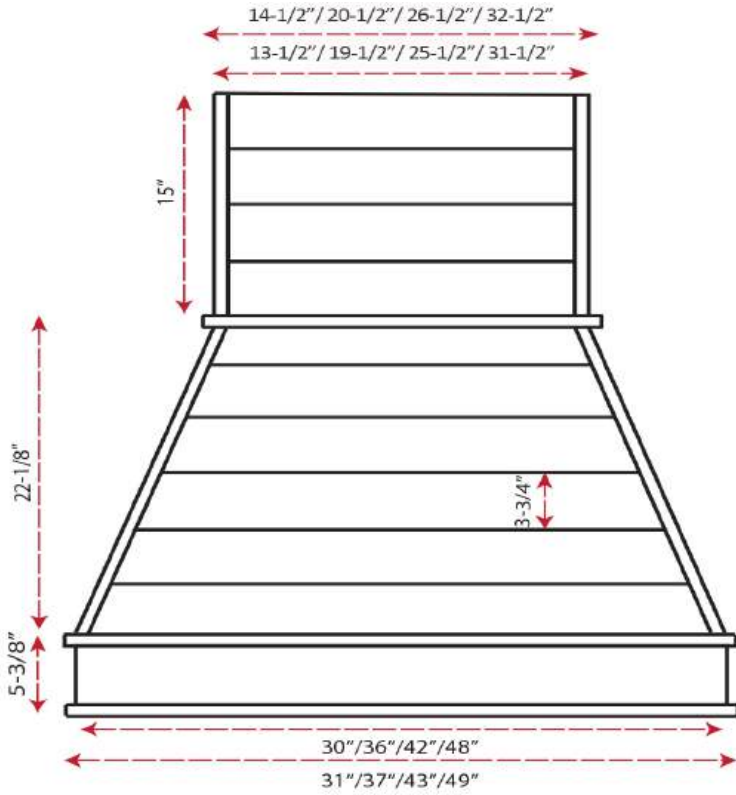
- Constructed with Weathered Spruce planks (*Rough Grain*)
- Pre-Finished with Sherwin Williams stain (Black, Brown, Dark Grey, Light Grey, White, Whitewash)
- Accepts HLB series Powder Coated or Stainless Steel Liners (*sold separately*)
- Select from 300, 400 and 600 CFM Broan Ventilation power packs (*sold separately*) or
- Ascension 350SL, 350SS, and 500SS CFM Ventilation power packs (*sold separately*)
- Ascension 620SS Ventilation power pack (36" and greater models only)
- Includes standard Chimney Extension (*see drawing*)
- *Optional Removable Access Panel available*
- *Optional 26-1/4" and 37-1/2" height Chimney Extensions available*



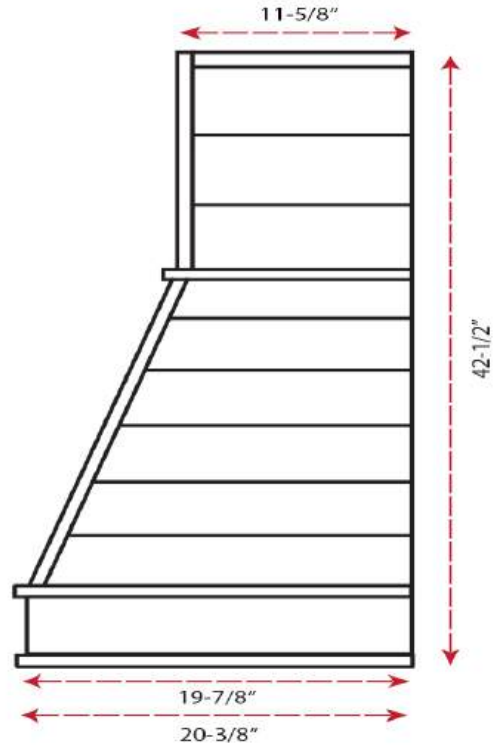
Shiplap Chimney Range Hood



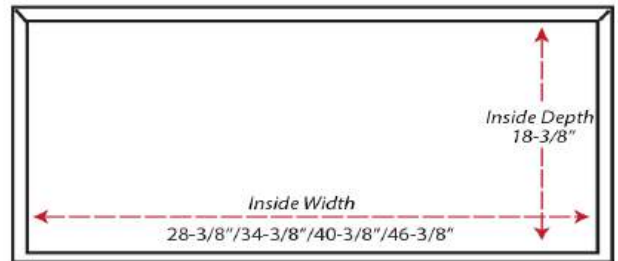
Front View



Side View



Item #	Dimensions (h) x (w) x (d)	Liner
WCSL30	42-1/2" X 31" X 20-3/8"	HLB30
WCSL36	42-1/2" X 37" X 20-3/8"	HLB36
WCSL42	42-1/2" X 43" X 20-3/8"	HLB42
WCS48	42-1/2" X 49" X 20-3/8"	HLB48

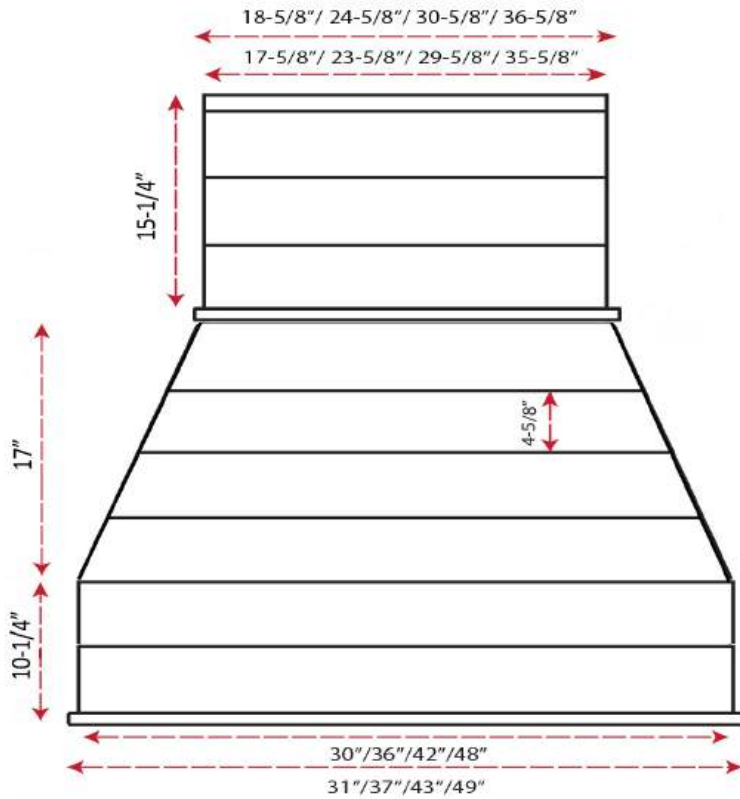


- Solid Hardwood Lumber Construction
- Accepts HLB series Powder Coated or Stainless Steel Liners (*sold separately*)
- Select from 300, 400 and 600 CFM Broan Ventilation power packs (*sold separately*) or
- Ascension 350SL, 350SS, and 500SS CFM Ventilation power packs (*sold separately*)
- Ascension 620SS Ventilation power pack (36" and greater models only)
- Available in Alder, Cherry, Hickory, Maple, Red Oak, and White Oak
- Includes standard Chimney Extension (*see drawing*)
- Optional Removable Access Panel available
- Optional 26-1/4" and 37-1/2" height Chimney Extensions available

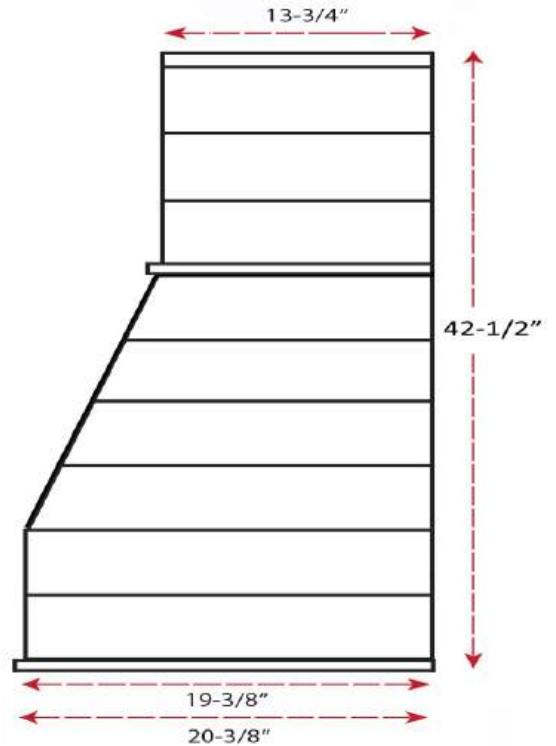


Rustic XL Shiplap Chimney Hood

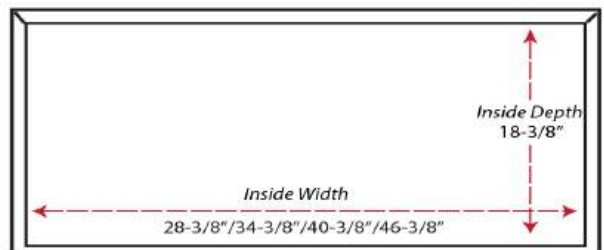
Front View



Side View



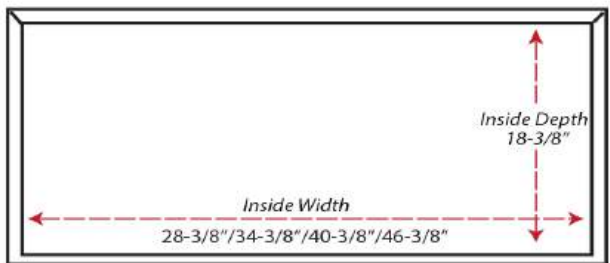
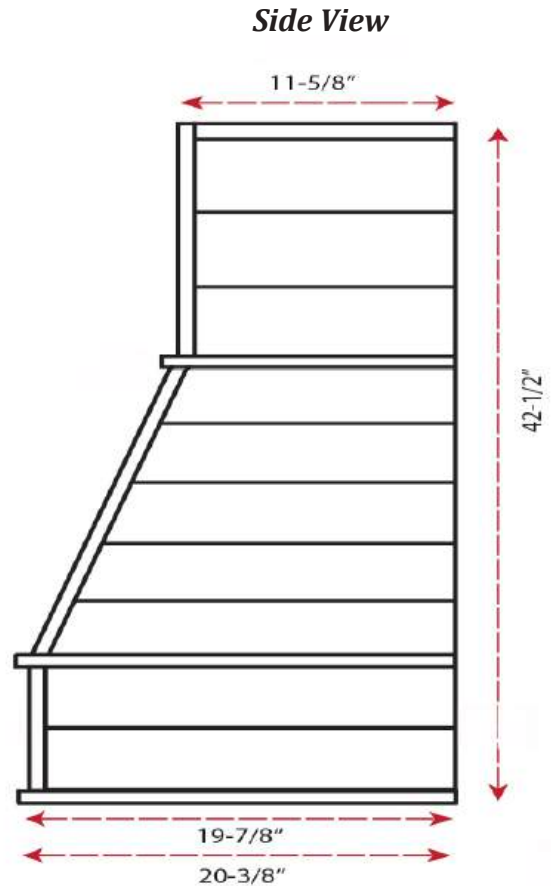
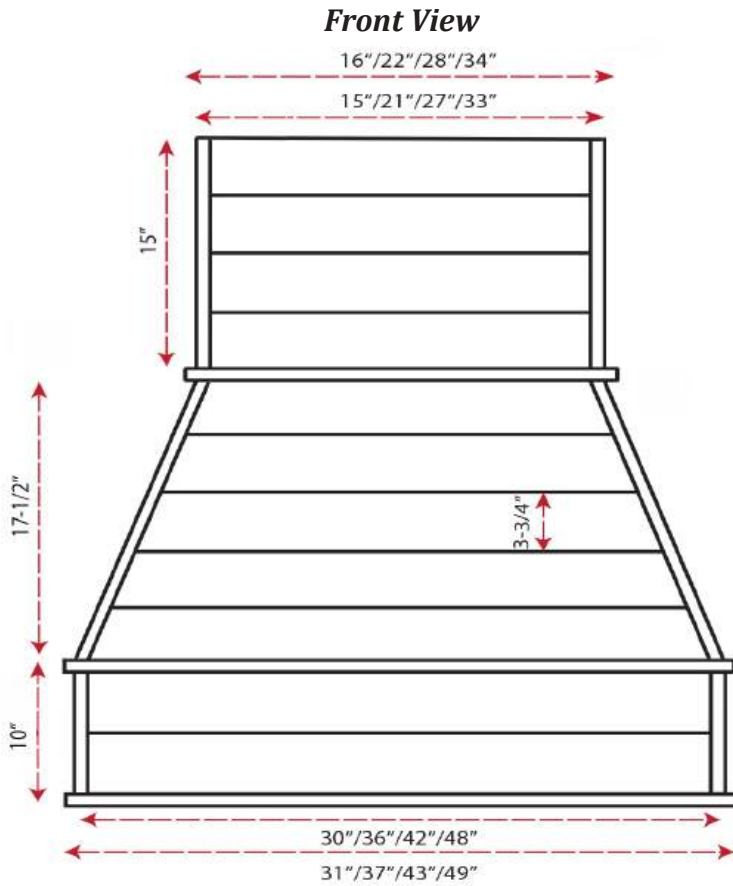
Item #	Dimensions (h) x (w) x (d)	Liner	Liner
WCSXLR30	42-1/2" X 31" X 20-3/8"	HLB30	HLZ30
WCSXLR36	42-1/2" X 37" X 20-3/8"	HLB36	HLZ36
WCSXLR42	42-1/2" X 43" X 20-3/8"	HLB42	HLZ42
WCSXLR48	42-1/2" X 49" X 20-3/8"	HLB48	HLZ48



- Constructed with Weathered Spruce planks (*Rough Grain*)
- Pre-Finished with Sherwin Williams stain (Black, Brown, Dark Grey, Light Grey, White, Whitewash)
- Accepts HLB series Powder Coated or Stainless Steel Liners (*sold separately*)
- Select from 300, 400 and 600 CFM Broan Ventilation power packs (*sold separately*) or
- *Ascension 350SL, 350SS, 500SS and 620SS CFM Ventilation power packs (sold separately)*
- *30" and 36" models accept Ascension 900 CFM Professional Ventilators (requires HLZ series Liners)*
- *42" and 48" models accept Ascension 1200 CFM Professional Ventilators (requires HLZ series Liners)*
- Includes standard Chimney Extension (*see drawing*)
- *Optional Removable Access Panel available*
- *Optional 26-1/4" and 37-1/2" height Chimney Extensions available*



Shiplap XL Chimney Range Hood



Item #	Dimensions (h) x (w) x (d)	Liner	Liner
WCSLXXL30	42-1/2" X 31" X 20-3/8"	HLB30	HLZ30
WCSLXXL36	42-1/2" X 37" X 20-3/8"	HLB36	HLZ36
WCSLXXL42	42-1/2" X 43" X 20-3/8"	HLB42	HLZ42
WCSLXXL48	42-1/2" X 49" X 20-3/8"	HLB48	HLZ48

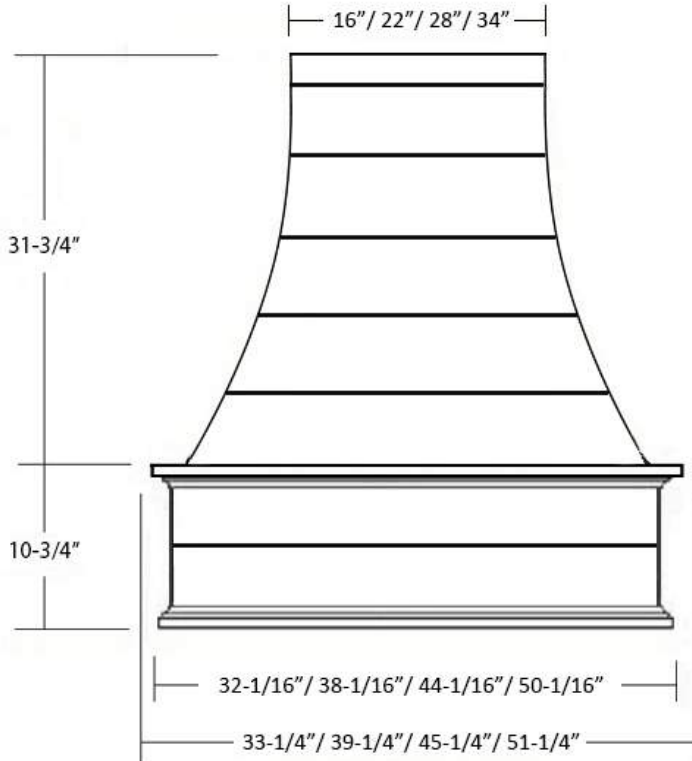
- Solid Hardwood Lumber Construction
- Accepts HLB series Powder Coated or Stainless Steel Liners (sold separately)
- Select from 300, 400 and 600 CFM Broan Ventilation power packs (sold separately) or
- Ascension 350SL, 350SS, 500SS and 620SS CFM Ventilation power packs (sold separately)
- 30" and 36" models accept Ascension 900 CFM Professional Ventilators (requires HLZ series Liners)
- 42" and 48" models accept Ascension 1200 CFM Professional Ventilators (requires HLZ series Liners)
- Available in Alder, Cherry, Hickory, Maple, Red Oak, and White Oak
- Includes standard Chimney Extension (see drawing)
- Optional Removable Access Panel available
- Optional 26-1/4" and 37-1/2" height Chimney Extensions available



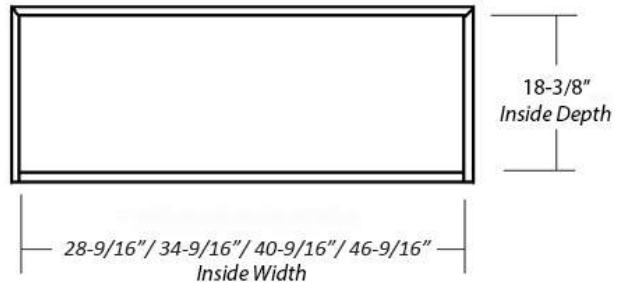
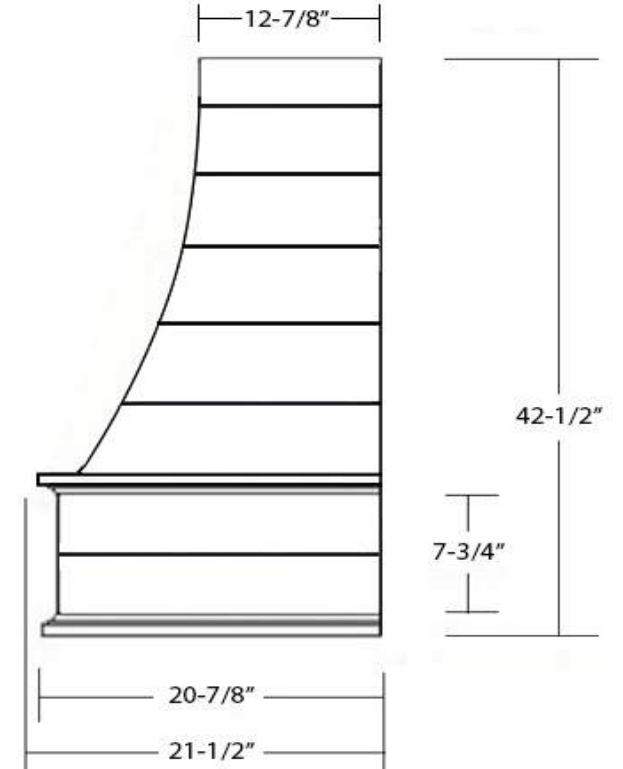


Shiplap Epicurean Chimney Hood

Front View



Side View



Item #	Dimensions (h) x (w) x (d)	Liner	Liner
WCVHSL3042	42-1/2" X 33-1/4" X 21-1/2"	HLB30	N/A
WCVHSL3642	42-1/2" X 39-1/4" X 21-1/2"	HLB36	HLZ36
WCVHSL4242	42-1/2" X 45-1/4" X 21-1/2"	HLB42	HLZ42
WCVHSL4842	42-1/2" X 51-1/4" X 21-1/2"	HLB48	HLZ48
WCVHSL3048	48" X 33-1/4" X 21-1/2"	HLB30	N/A
WCVHSL3648	48" X 39-1/4" X 21-1/2"	HLB36	HLZ36
WCVHSL4248	48" X 45-1/4" X 21-1/2"	HLB42	HLZ42
WCVHSL4848	48" X 51-1/4" X 21-1/2"	HLB48	HLZ48
WCVHSL3054	54" X 33-1/4" X 21-1/2"	HLB30	N/A
WCVHSL3654	54" X 39-1/4" X 21-1/2"	HLB36	HLZ36
WCVHSL4254	54" X 45-1/4" X 21-1/2"	HLB42	HLZ42
WCVHSL4854	54" X 51-1/4" X 21-1/2"	HLB48	HLZ48

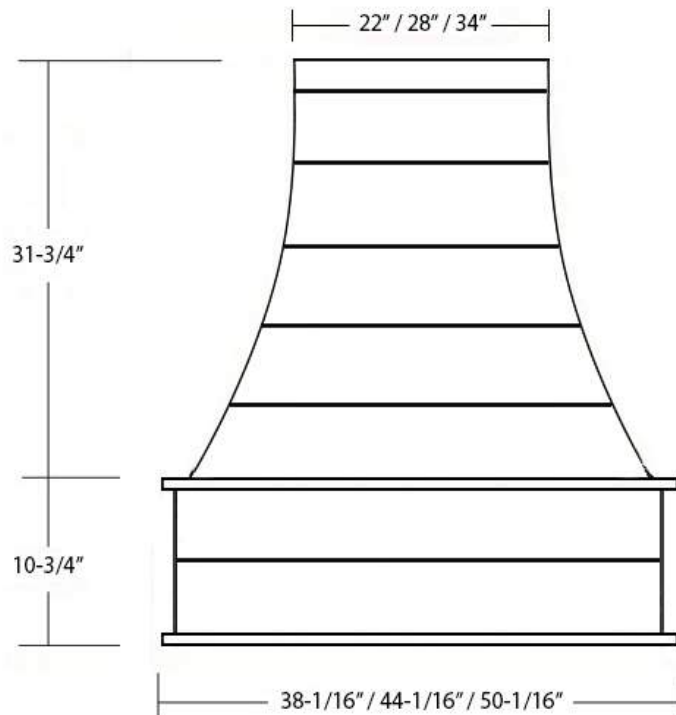
- Solid Hardwood Lumber Construction
- Accepts HLB series Powder Coated or Stainless Steel Liners *(sold separately)*
- Select from 300, 400 and 600 CFM Broan Ventilation power packs *(sold separately)* or
- Ascension 350SL, 350SS, 500SS and 620SS CFM Ventilation power packs *(sold separately)* or
- 36" models accept Ascension 900 CFM Professional Ventilators *(requires HLZ series Liners)*
- 42" and 48" models accept Ascension 1200 CFM Professional Ventilators *(requires HLZ series Liners)*
- Available in Alder, Cherry, Hickory, Maple, Red Oak and White Oak
- A Pre-Finished Rustic version (SY-WCVHSLR) is now available in Brown and Whitewash
- Optional 14", 24" and 36" height Chimney Extensions available *(requires trim kit)*



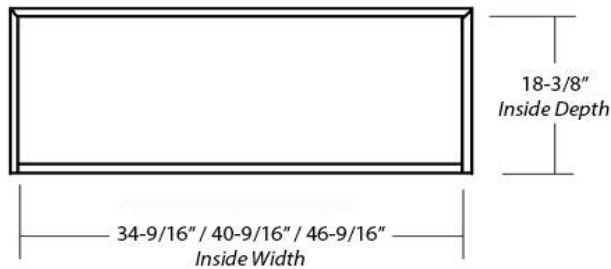
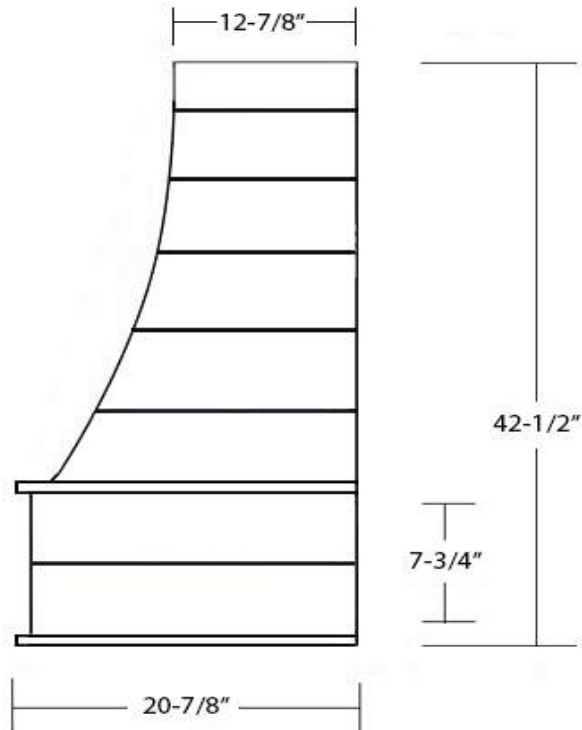
Rustic Shiplap Epicurean Chimney Hood



Front View



Side View



Item #	Dimensions (h) x (w) x (d)	Liner	Liner
WCVHSLR3042	42-1/2" X 32-1/16" X 20-7/8"	HLB30	N/A
WCVHSLR3642	42-1/2" X 38-1/16" X 20-7/8"	HLB36	HLZ36
WCVHSLR4242	42-1/2" X 44-1/16" X 20-7/8"	HLB42	HLZ42
WCVHSLR4842	42-1/2" X 50-1/16" X 20-7/8"	HLB48	HLZ48
WCVHSLR3048	48" X 32-1/16" X 20-7/8"	HLB30	N/A
WCVHSLR3648	48" X 38-1/16" X 20-7/8"	HLB36	HLZ36
WCVHSLR4248	48" X 44-1/16" X 20-7/8"	HLB42	HLZ42
WCVHSLR4848	48" X 50-1/16" X 20-7/8"	HLB48	HLZ48
WCVHSLR3054	54" X 32-1/16" X 20-7/8"	HLB30	N/A
WCVHSLR3654	54" X 38-1/16" X 20-7/8"	HLB36	HLZ36
WCVHSLR4254	54" X 44-1/16" X 20-7/8"	HLB42	HLZ42
WCVHSLR4854	54" X 50-1/16" X 20-7/8"	HLB48	HLZ48

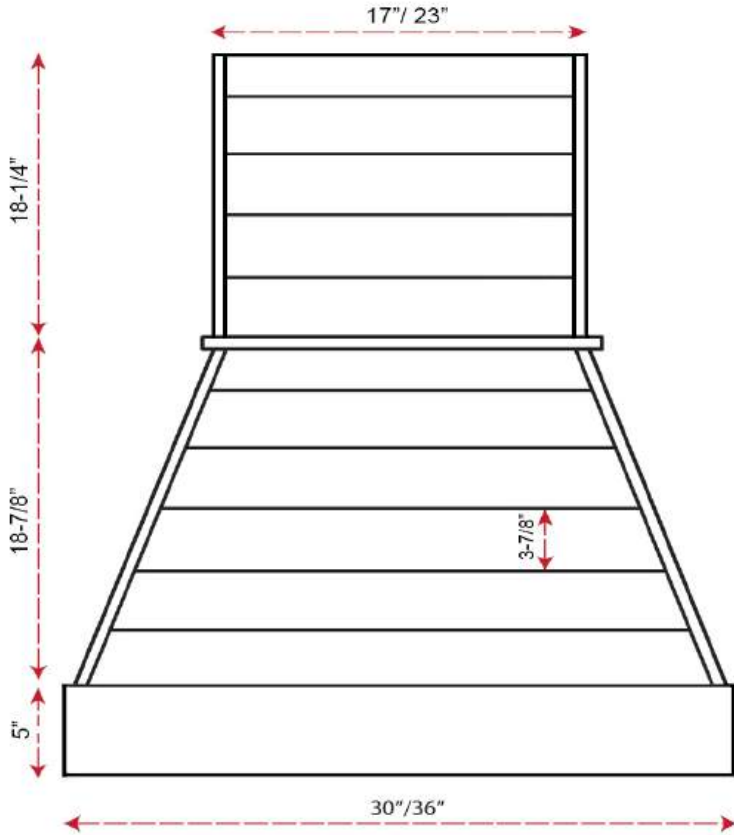
- Constructed with Weathered Spruce planks (*Rough Grain*)
- Pre-Finished with Sherwin Williams stain (Black, Brown, Dark Grey, Light Grey, White, Whitewash)
- Accepts HLB series Powder Coated or Stainless Steel Liners (*sold separately*)
- Select from 300, 400 and 600 CFM Broan Ventilation power packs (*sold separately*) or
- *Ascension 350SL, 350SS, 500SS and 620SS CFM Ventilation power packs (sold separately)*
- *36" models accept Ascension 900 CFM Professional Ventilators (requires HLZ series Liners)*
- *42" and 48" models accept Ascension 1200 CFM Professional Ventilators (requires HLZ series Liners)*
- *Optional Removable Access Panel available*
- *Optional 14", 24", and 36" Chimney Extensions available*



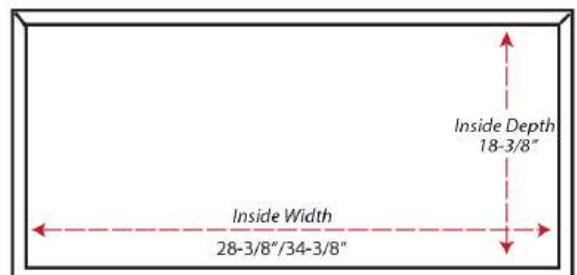
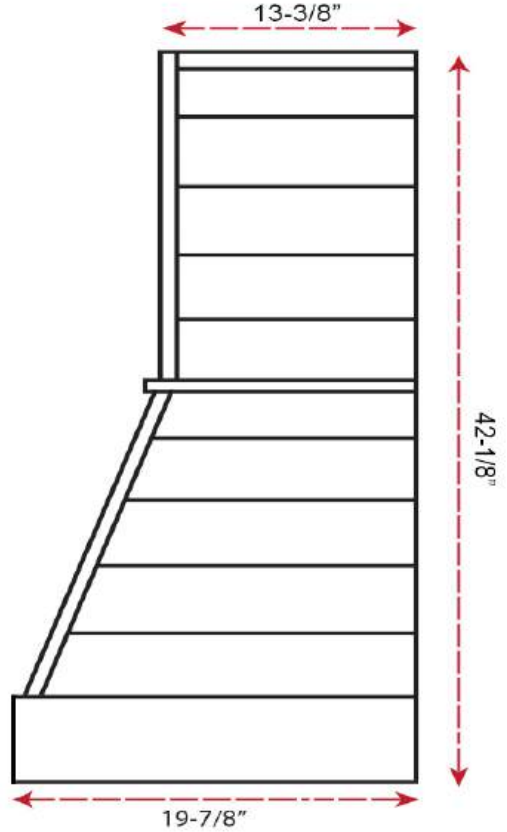


Paint Grade Shiplap Range Hood

Front View



Side View



Item #	Dimensions (h) x (w) x (d)	Liner
WCSL30-IM	42-1/8" X 30" X 19-7/8"	HLB30
WCSL36-IM	42-1/8" X 36" X 19-7/8"	HLB36

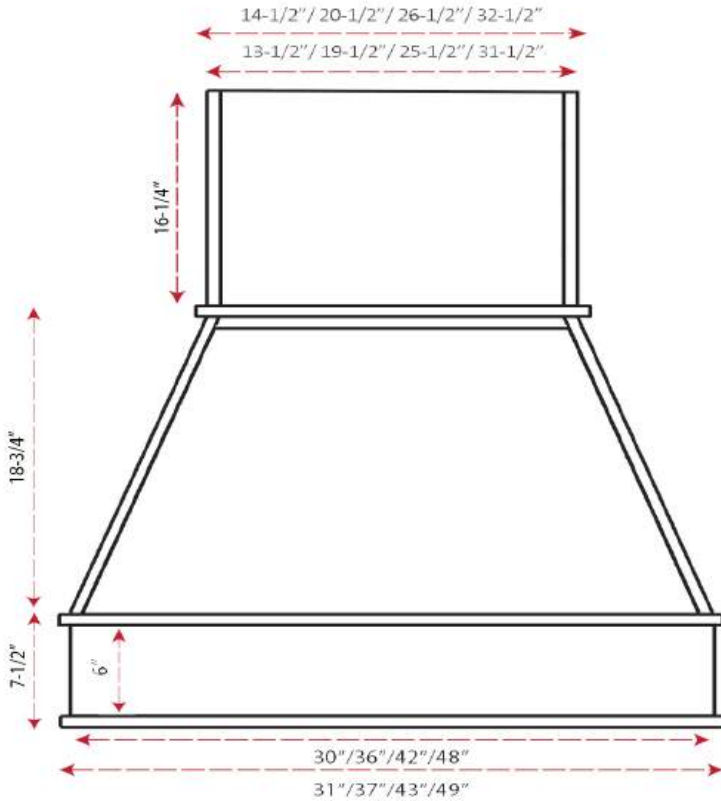
- Poplar Lumber and MDF Construction
- Primed for Painting
- Accepts HLB series Powder Coated or Stainless Steel Liners (*sold separately*)
- Select from 300, 400 and 600 CFM Broan Ventilation power packs (*sold separately*) or
- Ascension 350SL, 350SS, and 500SS CFM Ventilation power packs (*sold separately*)
- Ascension 620SS Ventilation power pack (36" and greater models only)



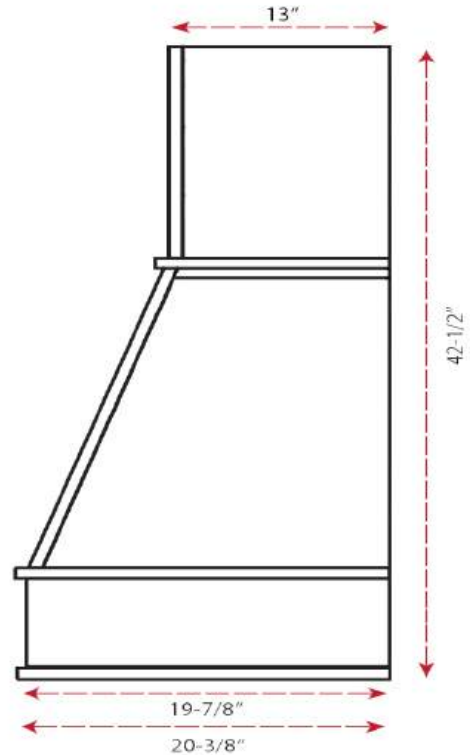
Transitional Chimney Range Hood



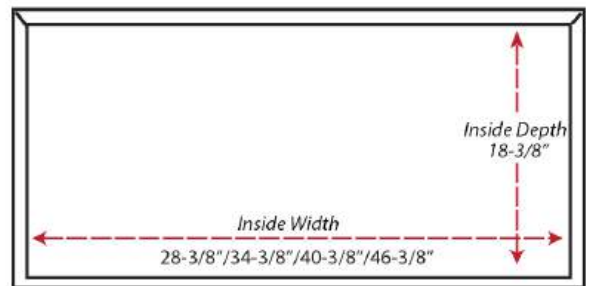
Front View



Side View



Item #	Dimensions (h) x (w) x (d)	Liner
WCNOSL30	42-1/2" X 31" X 20-3/8"	HLB30
WCNOSL36	42-1/2" X 37" X 20-3/8"	HLB36
WCNOSL42	42-1/2" X 43" X 20-3/8"	HLB42
WCNOSL48	42-1/2" X 49" X 20-3/8"	HLB48

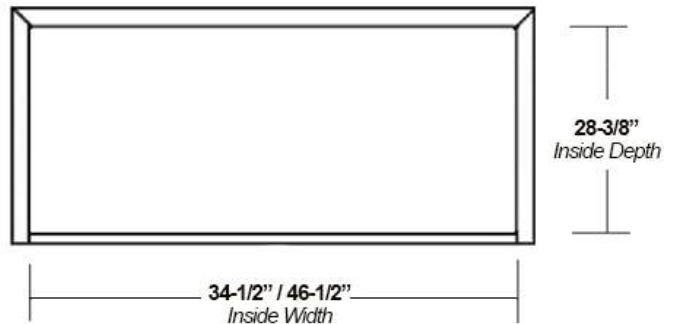
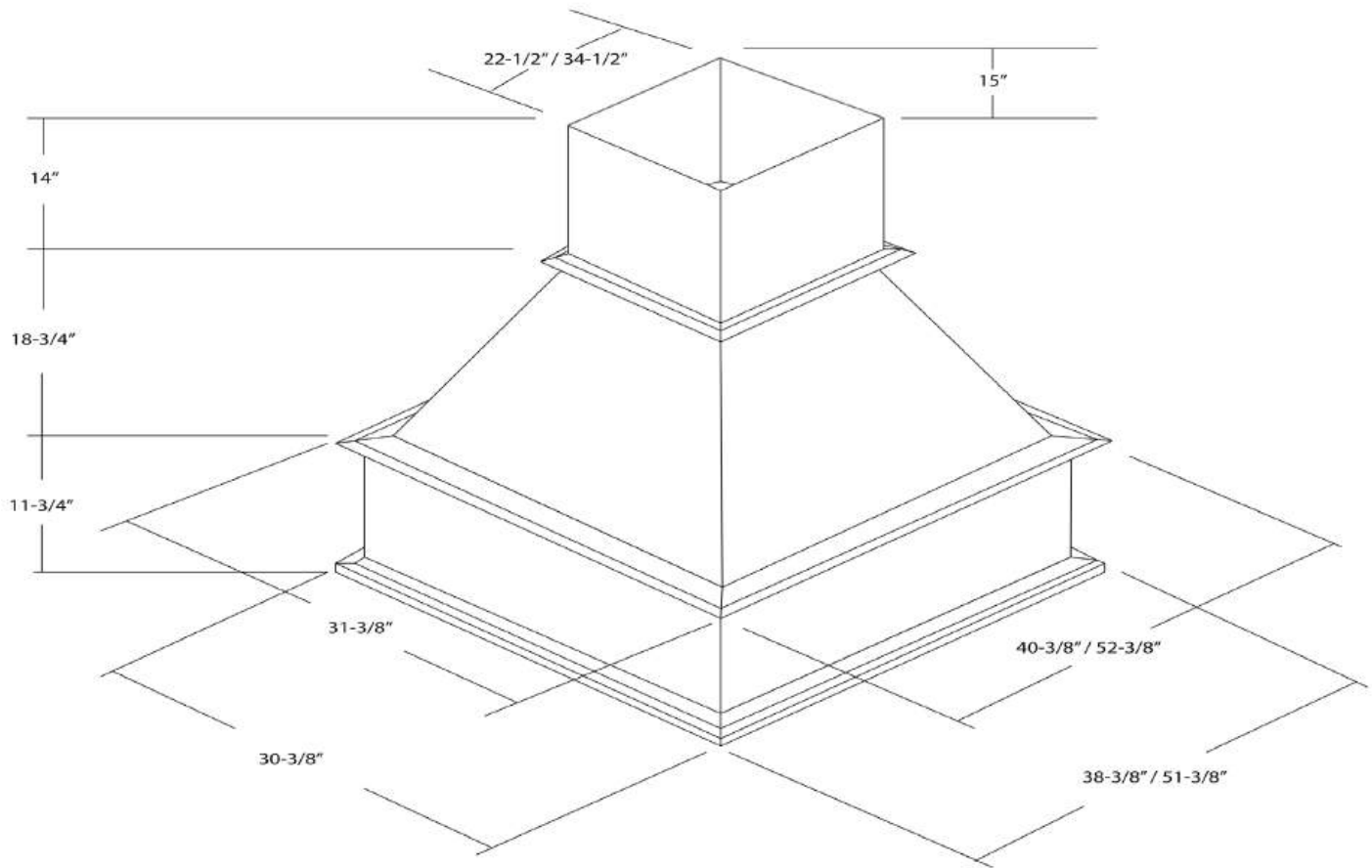


- Solid Hardwood Lumber and Plywood Construction
- Accepts HLB series Powder Coated or Stainless Steel Liners (*sold separately*)
- Select from 300, 400 and 600 CFM Broan Ventilation power packs (*sold separately*) or
- *Ascension 350SL, 350SS, and 500SS CFM Ventilation power packs (sold separately)*
- *Ascension 620SS Ventilation power pack (36" and greater models only)*
- Available in Alder, Cherry, Hickory, Maple, Red Oak, and White Oak
- Includes standard Chimney Extension (*see drawing*)
- Detachable Upper Access is standard
- Optional 26-1/4" and 37-1/2" height Chimney Extensions available





Chimney Style Island Range Hood

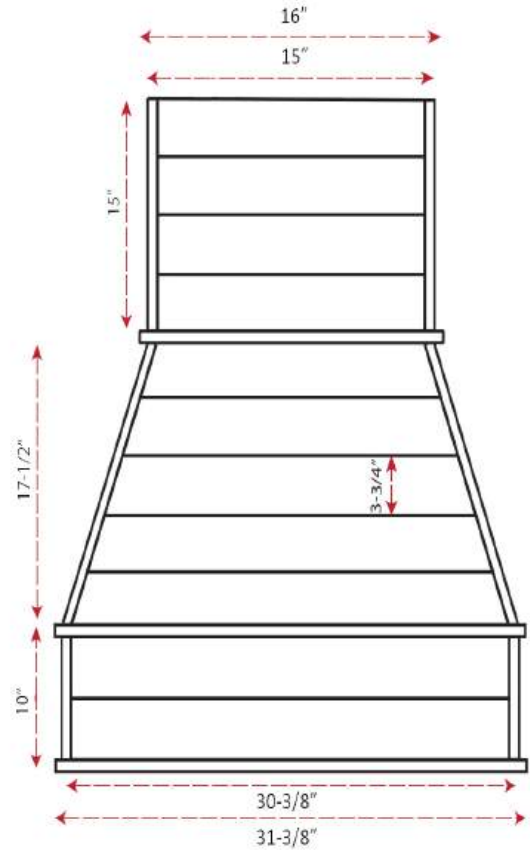
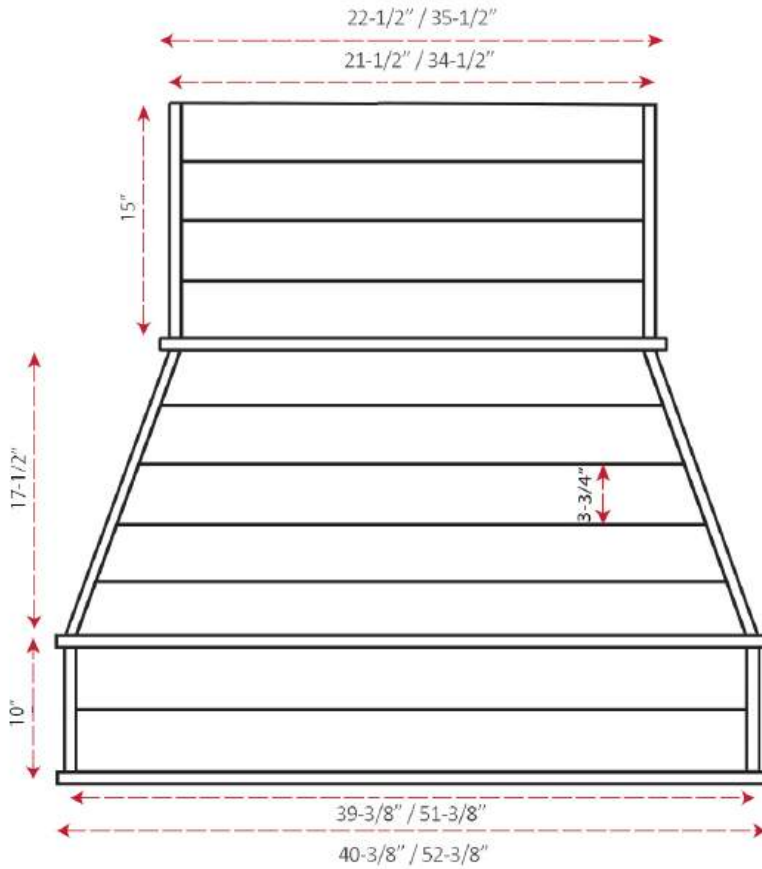


Item #	Dimensions (h) x (w) x (d)	Liner	Liner
WICH36	42-1/2" X 40-3/8" X 31-3/8"	HLB36	HLZ36
WICH48	42-1/2" X 52-3/8" X 31-3/8"	HLB48	HLZ48

- Hardwood Plywood and Solid Lumber Construction
- Accepts HLB series Powder Coated or Steel Liners (*sold separately*)
- Select from 400, or 600 CFM Broan Ventilation power packs (*sold separately*) or
- *Ascension 350SL, 350SS, 500SS and 620SS CFM Ventilation power packs (sold separately)*
- *36" models accept Ascension 900 CFM Professional Ventilators (requires HLZ series Liners)*
- *48" models accept Ascension 1200 CFM Professional Ventilators (requires HLZ series Liners)*
- If HLB or HLZ liners will be used, interior of hood must be blocked up (specify when ordering)
- Available in Alder, Cherry, Hickory, Maple, Red Oak, and White Oak
- Includes standard 14" height Chimney Extension
- Base section will accommodate Ornaments in sizes up to 6" x 24"

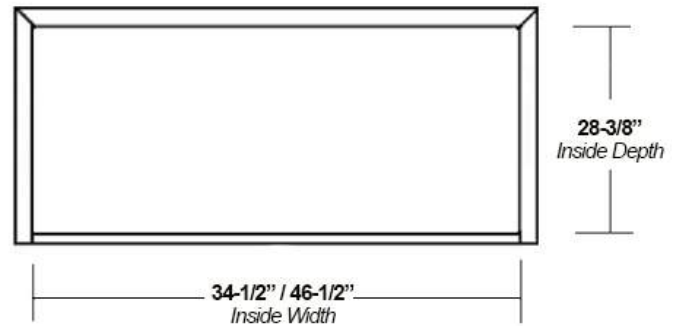


Shiplap Island Chimney Range Hood



SIDE VIEW

Item #	Dimensions (h) x (w) x (d)	Liner	Liner
WICSLXL36	42-1/2" X 40-3/8" X 31-3/8"	HLB36	HLZ36
WICSLXL48	42-1/2" X 52-3/8" X 31-3/8"	HLB48	HLZ48

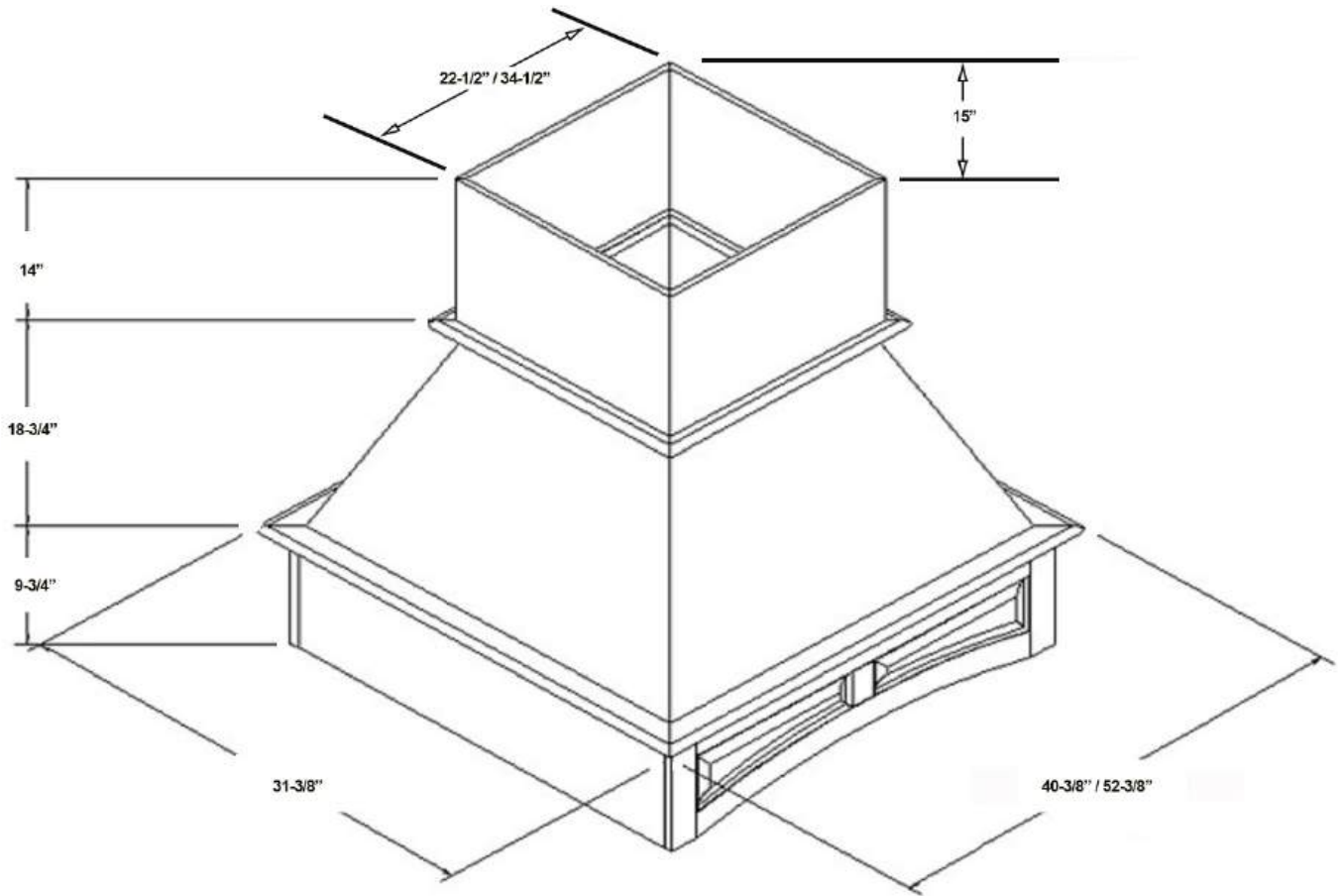


- Solid Hardwood Lumber Construction
- Accepts HLB series Powder Coated or Steel Liners (*sold separately*)
- Select from 400, or 600 CFM Broan Ventilation power packs (*sold separately*) or
- Ascension 350SL, 350SS, 500SS and 620SS CFM Ventilation power packs (*sold separately*)
- 36" models accept Ascension 900 CFM Professional Ventilators (*requires HLZ series Liners*)
- 48" models accept Ascension 1200 CFM Professional Ventilators (*requires HLZ series Liners*)
- If HLB or HLZ liners will be used, interior of hood must be blocked up (*specify when ordering*)
- Available in Alder, Cherry, Hickory, Maple, Red Oak, and White Oak
- Detachable Front Panel for easy access
- Includes standard 14" height Chimney Extension

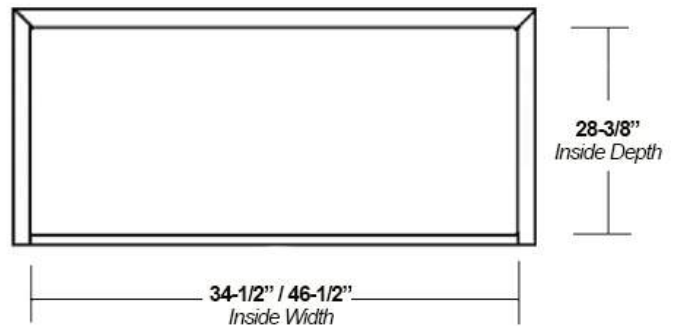




Arched Valance Island Range Hood



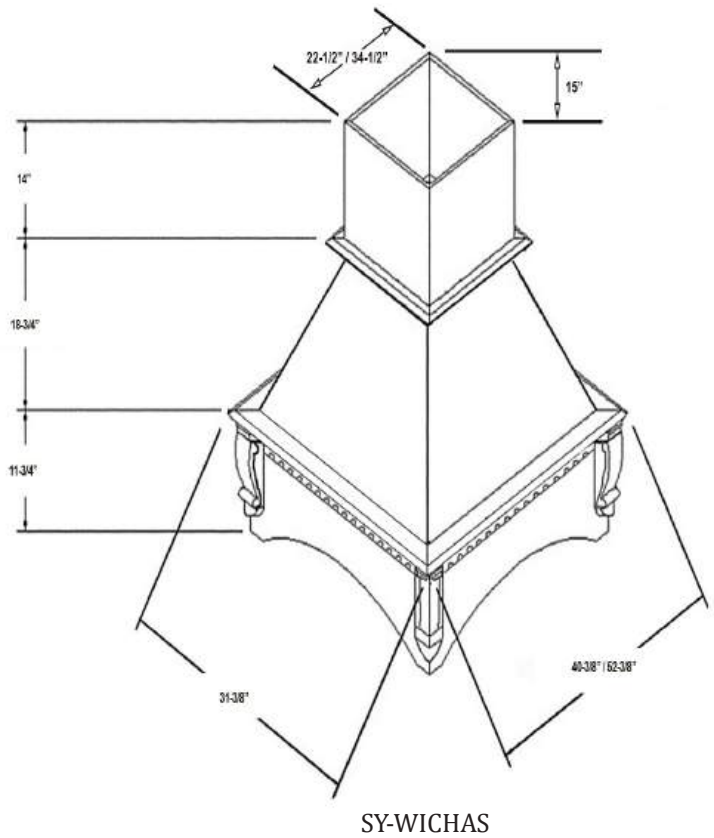
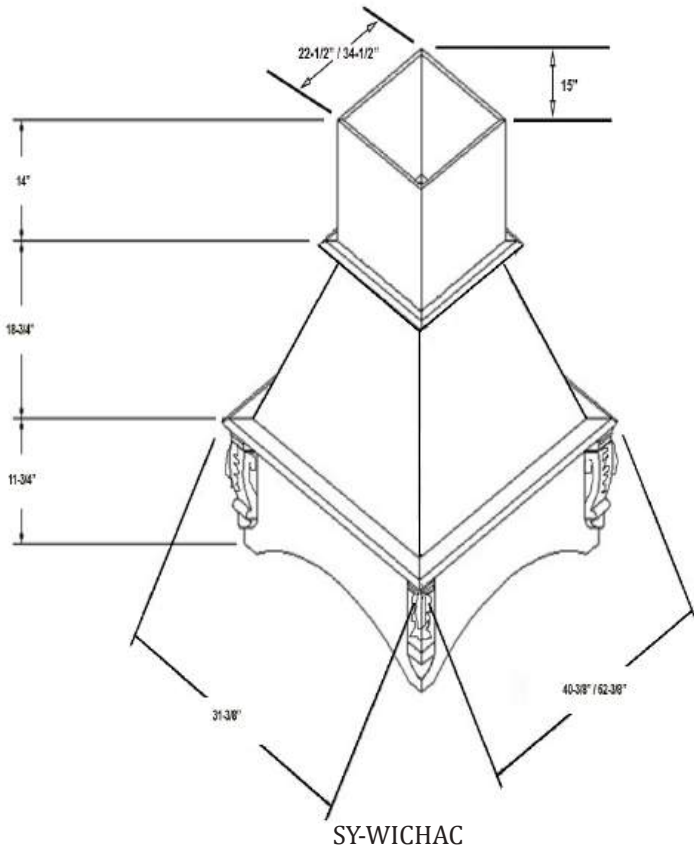
Item #	Dimensions (h) x (w) x (d)	Liner	Liner
WICHAP36	42-1/2" X 40-3/8" X 31-3/8"	HLB36	HLZ36
WICHAP48	42-1/2" X 52-3/8" X 31-3/8"	HLB48	HLZ48



- Hardwood Plywood and Solid Lumber Construction
- Accepts HLB series Powder Coated or Stainless Steel Liners *(sold separately)*
- Select from 400, or 600 CFM Broan Ventilation power packs *(sold separately)* or
- *Ascension 350SL, 350SS, 500SS and 620SS CFM Ventilation power packs (sold separately)*
- *36" models accept Ascension 900 CFM Professional Ventilators (requires HLZ series Liners)*
- *48" models accept Ascension 1200 CFM Professional Ventilators (requires HLZ series Liners)*
- If HLB or HLZ liners will be used, interior of hood must be blocked up (specify when ordering)
- Available in Cherry, Maple and Red Oak
- Includes standard 14" height Chimney Extension

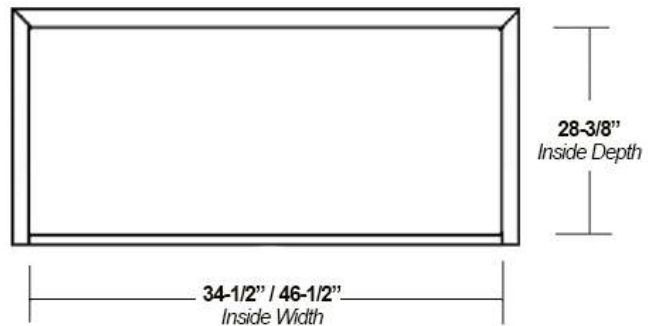


Arched Corbel Island Range Hoods



Item #	Dimensions (h) x (w) x (d)	Liner	Liner
WICHAC36	42-1/2" X 40-3/8" X 31-3/8"	HLB36	HLZ36
WICHAC48	42-1/2" X 52-3/8" X 31-3/8"	HLB48	HLZ48

Item #	Dimensions (h) x (w) x (d)	Liner	Liner
WICHAS36	42-1/2" X 40-3/8" X 31-3/8"	HLB36	HLZ36
WICHAS48	42-1/2" X 52-3/8" X 31-3/8"	HLB48	HLZ48



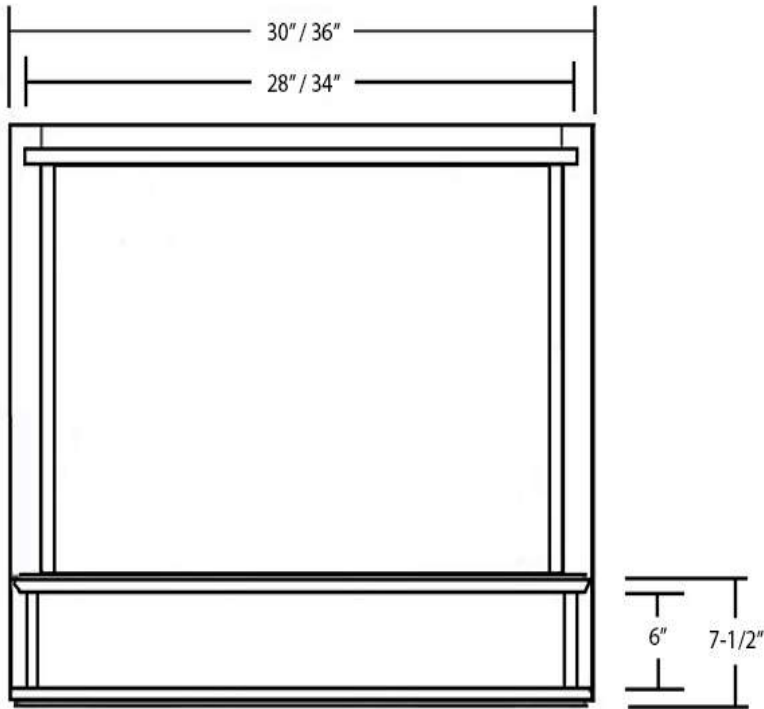
- Hardwood Plywood and Solid Lumber Construction
- Accepts HLB series Powder Coated or Stainless Steel Liners (sold separately)
- Select from 400, or 600 CFM Broan Ventilation power packs (sold separately) or
- Ascension 350SL, 350SS, 500SS and 620SS CFM Ventilation power packs (sold separately)
- 36" models accept Ascension 900 CFM Professional Ventilators (requires HLZ series Liners)
- 48" models accept Ascension 1200 CFM Professional Ventilators (requires HLZ series Liners)
- If HLB or HLZ liners will be used, interior of hood must be blocked up (specify when ordering)
- Available in Cherry, Maple and Red Oak
- Includes standard 14" height Chimney Extension



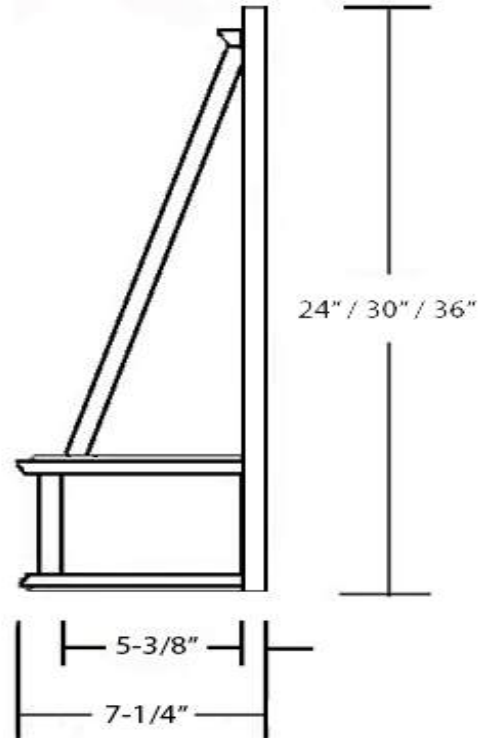


Shaker Style Range Hood Front

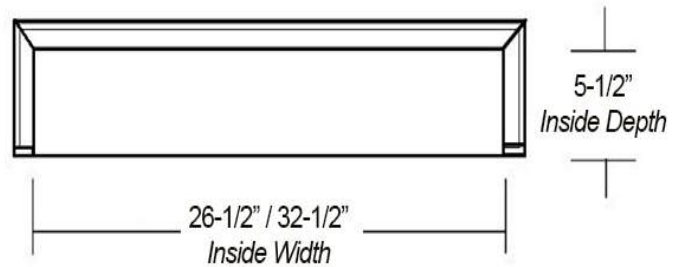
Front View



Side View



Item #	Dimensions (h) x (w) x (d)	Liner
JSKHF3024	24" X 30" X 7-1/4"	HLT30
JSKHF3030	30" X 30" X 7-1/4"	HLT30
JSKHF3036	36" X 30" X 7-1/4"	HLT30
JSKHF3624	24" X 36" X 7-1/4"	HLT36
JSKHF3630	30" X 36" X 7-1/4"	HLT36
JSKHF3636	36" X 36" X 7-1/4"	HLT36



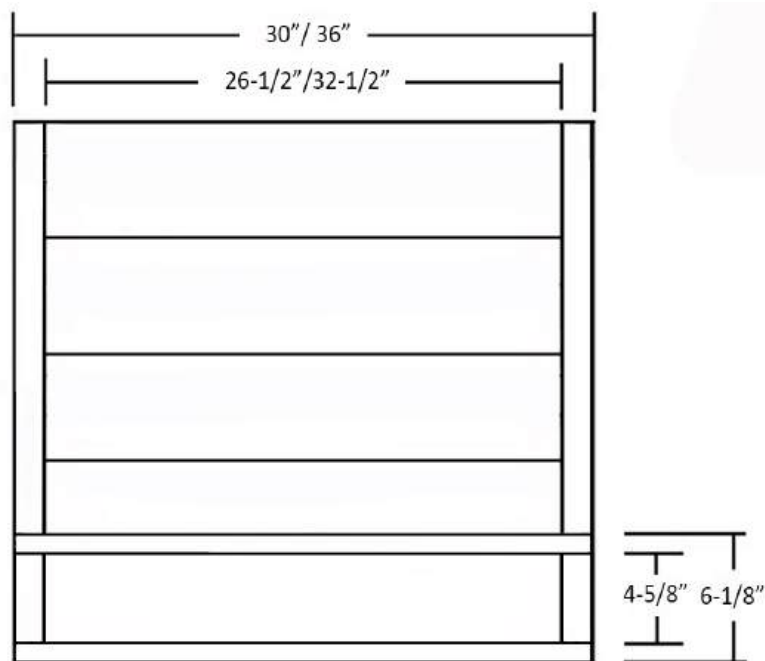
- Hardwood Plywood and Solid Lumber Construction
- Accepts HLT series T-shape Powder Coated Steel Liners *(sold separately)*
- Select from 300, 400 and 600 CFM Broan Ventilation power packs *(sold separately)* or
- *Ascension 350SL, 350SS, 500SS and 620SS CFM Ventilation power packs (sold separately)*
- Available in Alder, Cherry, Hickory, Maple, Red Oak, White Oak and Paintgrade *(primed)*
- Must be mounted between two wall cabinets
- Base section will accommodate Ornaments up to 5" x 24"



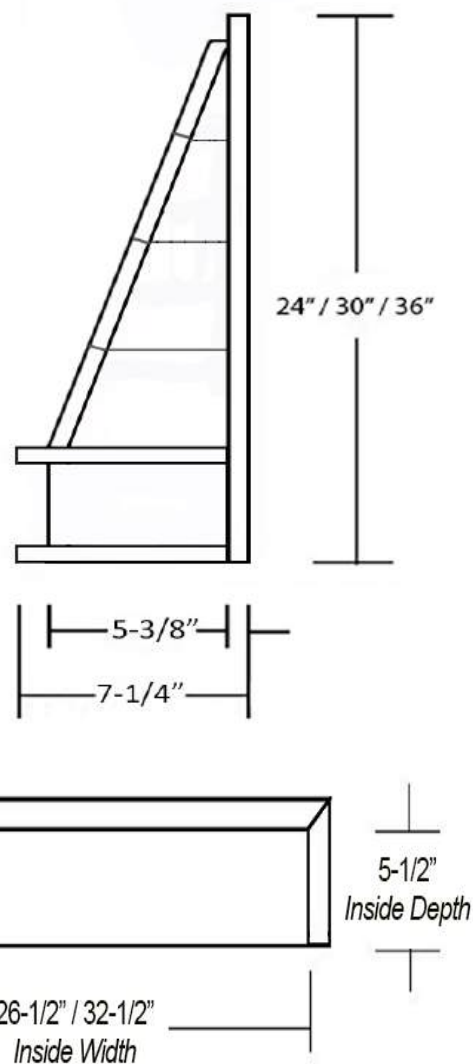
Rustic Shiplap Range Hood Front



Front View



Side View



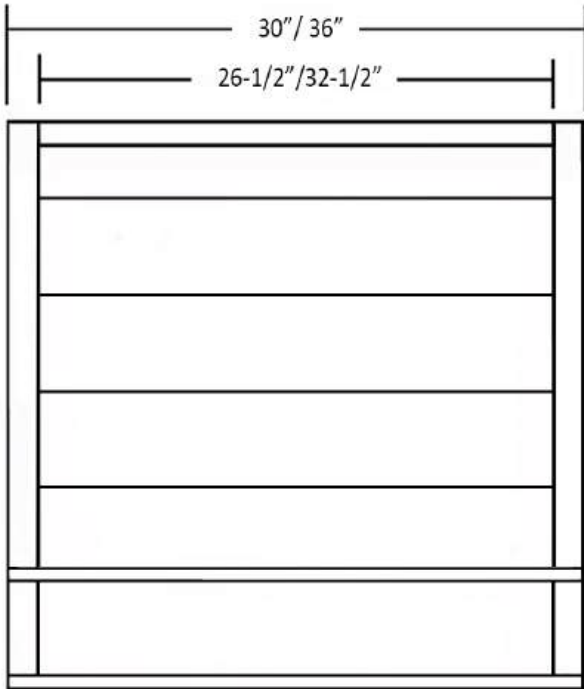
Item #	Dimensions (h) x (w) x (d)	Liner
JSLRHF3024	24" X 30" X 7-1/4"	HLT30
JSLRHF3030	30" X 30" X 7-1/4"	HLT30
JSLRHF3036	36" X 30" X 7-1/4"	HLT30
JSLRHF3624	24" X 36" X 7-1/4"	HLT36
JSLRHF3630	30" X 36" X 7-1/4"	HLT36
JSLRHF3636	36" X 36" X 7-1/4"	HLT36

- Constructed with Distressed Spruce planks (Rough Grain)
- Pre-Finished with Sherwin Williams stain (Black, Brown, Dark Gray, Light Gray, White, Whitewash)
- Accepts HLT series T-shape Powder Coated Steel Liners (*sold separately*)
- Select from 300, 400 and 600 CFM Broan Ventilation power packs (*sold separately*) or
- *Ascension 350SL, 350SS, 500SS and 620SS CFM Ventilation power packs (sold separately)*
- Optional Detachable front panel for easy access
- Must be mounted between two wall cabinets

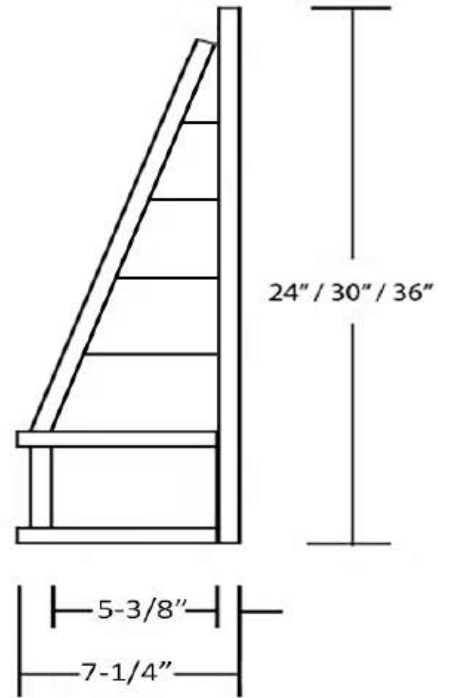


Shi lap Range Hood Front

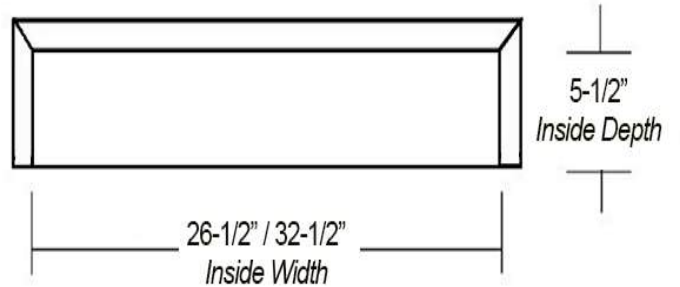
Front View



Side View



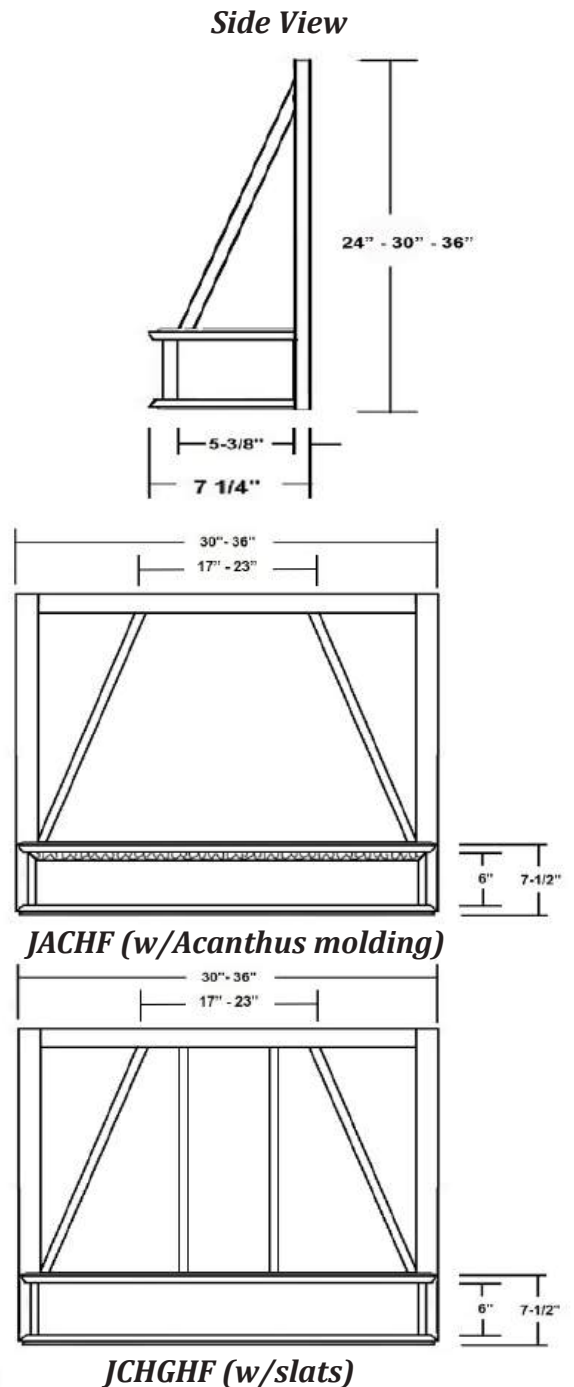
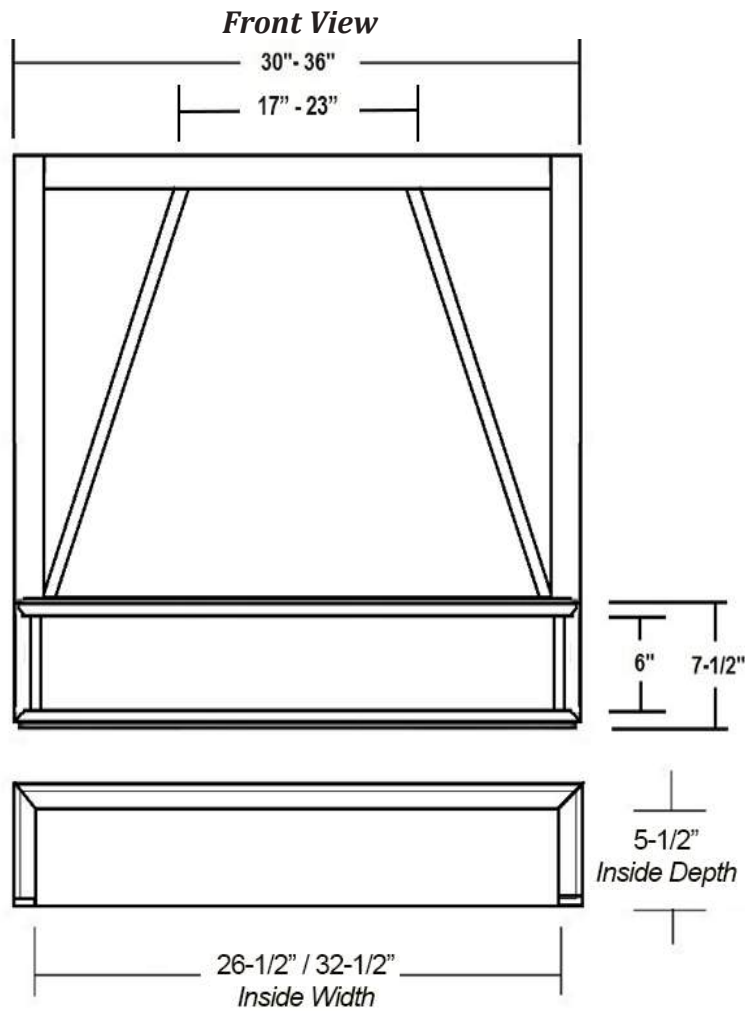
Item #	Dimensions (h) x (w) x (d)	Liner
JSLHFD3024	24" X 30" X 7-1/4"	HLT30
JSLHFD3030	30" X 30" X 7-1/4"	HLT30
JSLHFD3036	36" X 30" X 7-1/4"	HLT30
JSLHFD3624	24" X 36" X 7-1/4"	HLT36
JSLHFD3630	30" X 36" X 7-1/4"	HLT36
JSLHFD3636	36" X 36" X 7-1/4"	HLT36



- Hardwood Plywood and Solid Lumber Construction
- Accepts HLT series T-shape Powder Coated Steel Liners (*sold separately*)
- Select from 300, 400 and 600 CFM Broan Ventilation power packs (*sold separately*) or
- *Ascension 350SL, 350SS, 500SS and 620SS CFM Ventilation power packs (sold separately)*
- Available in Alder, Cherry, Hickory, Maple, Red Oak, and White Oak
- Detachable front panel for easy access
- Must be mounted between two wall cabinets



Chimney Style Range Hood Front



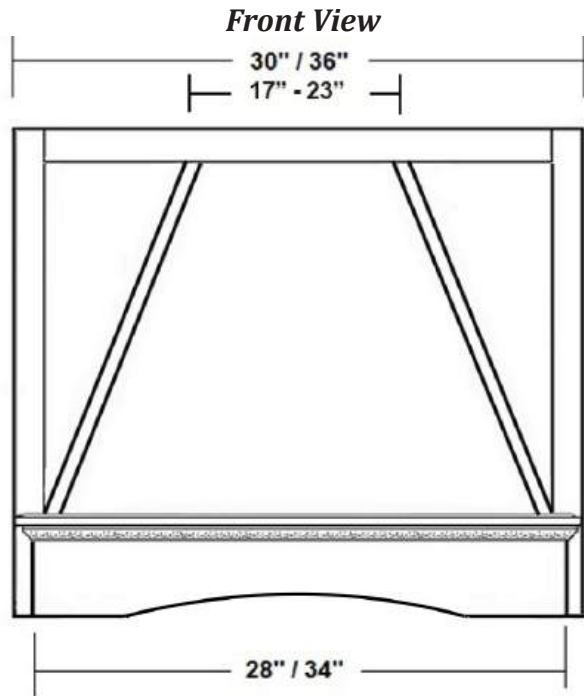
Item #	Dimensions (h) x (w) x (d)	Liner
JCHF3024	24" X 30" X 7-1/4"	HLT30
JCHF3030	30" X 30" X 7-1/4"	HLT30
JCHF3036	36" X 30" X 7-1/4"	HLT30
JCHF3624	24" X 36" X 7-1/4"	HLT36
JCHF3630	30" X 36" X 7-1/4"	HLT36
JCHF3636	36" X 36" X 7-1/4"	HLT36

- Hardwood Plywood and Solid Lumber Construction
- Accepts HLT series T-shape Powder Coated Steel Liners (*sold separately*)
- Select from 300, 400 and 600 CFM Broan Ventilation power packs (*sold separately*) or Ascension 350SL, 350SS, 500SS and 620SS CFM Ventilation power packs (*sold separately*)
- Available in Alder, Cherry, Hickory, Maple, Red Oak and Paintgrade (*primed*)
- Must be mounted between two wall cabinets
- Optional Acanthus molding available (*JACHF*)
- Optional vertical molding strip package available (*JCHGHF*)

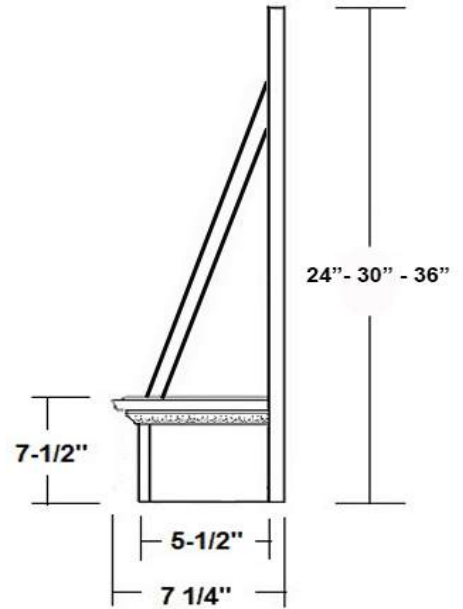




Applied Molding Chimney Hood Front



Side View



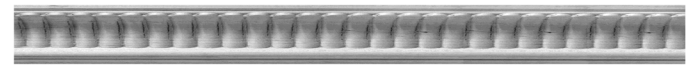
Item #	Dimensions (h) x (w) x (d)	Liner
JCHFA3024	24" X 30" X 7-1/4"	HLT30
JCHFA3030	30" X 30" X 7-1/4"	HLT30
JCHFA3036	36" X 30" X 7-1/4"	HLT30
JCHFA3624	24" X 36" X 7-1/4"	HLT36
JCHFA3630	30" X 36" X 7-1/4"	HLT36
JCHFA3636	36" X 36" X 7-1/4"	HLT36
JCHFE3024	24" X 30" X 7-1/4"	HLT30
JCHFE3030	30" X 30" X 7-1/4"	HLT30
JCHFE3036	36" X 30" X 7-1/4"	HLT30
JCHFE3624	24" X 36" X 7-1/4"	HLT36
JCHFE3630	30" X 36" X 7-1/4"	HLT36
JCHFE3636	36" X 36" X 7-1/4"	HLT36
JCHFR-3024	24" X 30" X 7-1/4"	HLT30
JCHFR3030	30" X 30" X 7-1/4"	HLT30
JCHFR3036	36" X 30" X 7-1/4"	HLT30
JCHFR3624	24" X 36" X 7-1/4"	HLT36
JCHFR3630	30" X 36" X 7-1/4"	HLT36
JCHFR3636	36" X 36" X 7-1/4"	HLT36



Acanthus Molding Detail



Egg & Dart Molding Detail



Reeded Molding Detail



26-1/2" / 32-1/2"

Inside Width

5 1/2"

Inside Depth

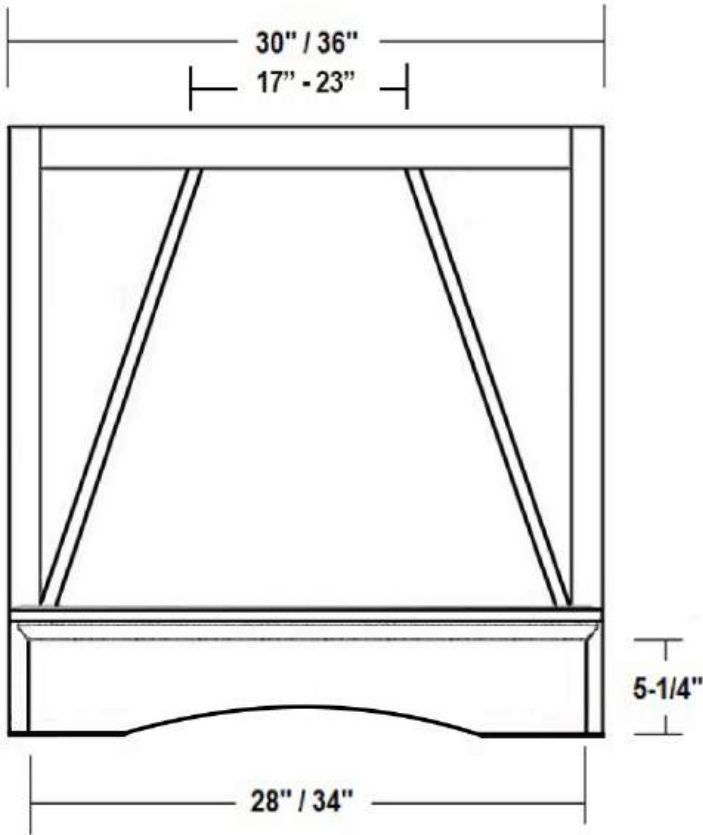
- Hardwood Plywood and Solid Lumber Construction
- Accepts HLT series T-shape Powder Coated Steel Liners (sold separately)
- Select from 300, 400 and 600 CFM Broan Ventilation power packs (sold separately) or
- Ascension 350SL, 350SS, 500SS and 620SS CFM Ventilation power packs (sold separately)
- Available in Cherry, Maple and Red Oak
- Must be mounted between two wall cabinets
- Choose Acanthus (A), Egg & Dart (E) or Reeded (R) Moldings



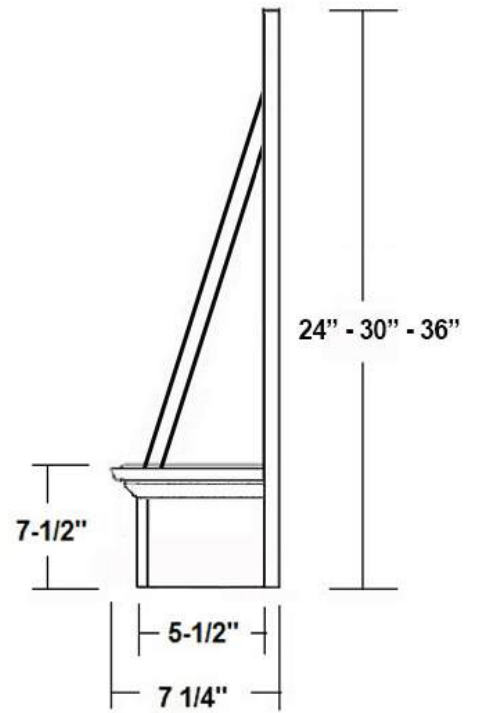
Arched Plain Chimney Range Hood Front



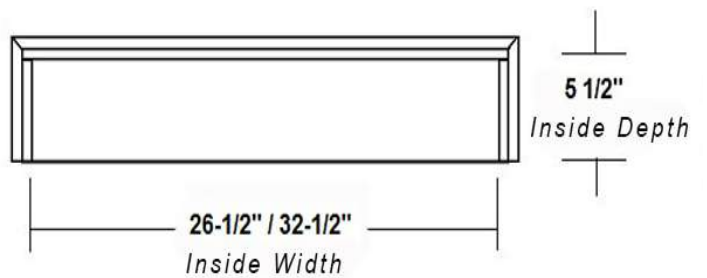
Front View



Side View



Item #	Dimensions (h) x (w) x (d)	Liner
JCHFP3024	24" X 30" X 7-1/4"	HLT30
JCHFP3030	30" X 30" X 7-1/4"	HLT30
JCHFP3036	36" X 30" X 7-1/4"	HLT30
JCHFP3624	24" X 36" X 7-1/4"	HLT36
JCHFP3630	30" X 36" X 7-1/4"	HLT36
JCHFP3636	36" X 36" X 7-1/4"	HLT36



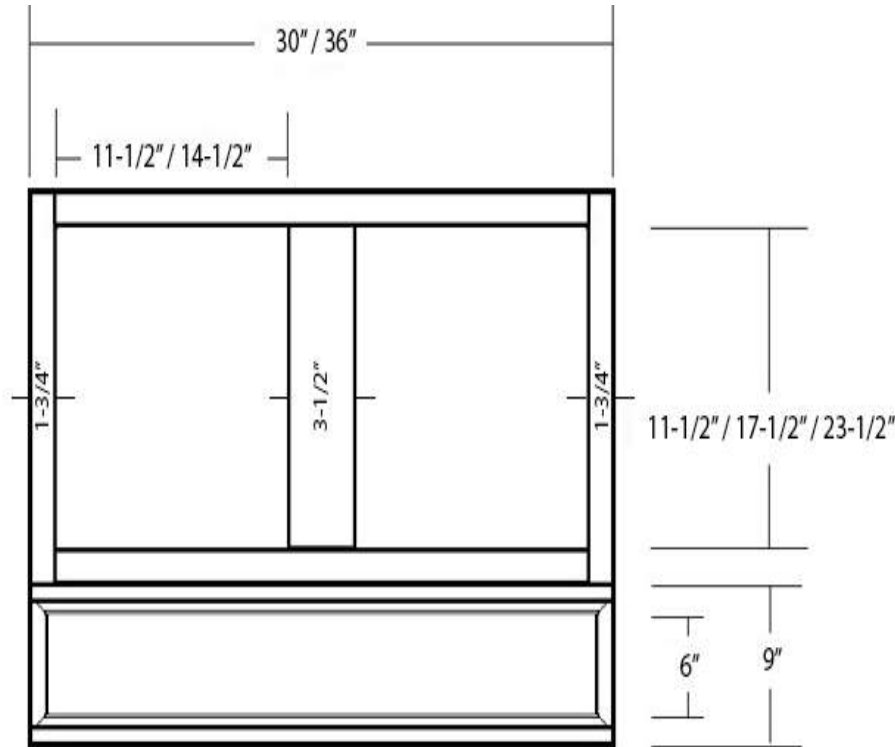
- Hardwood Plywood and Solid Lumber Construction
- Accepts HLT series T-shape Powder Coated Steel Liners *(sold separately)*
- Select from 300, 400 and 600 CFM Broan Ventilation power packs *(sold separately)* or
- Ascension 350SL, 350SS, 500SS and 620SS CFM Ventilation power packs *(sold separately)*
- Available in Alder, Cherry, Hickory, Maple and Red Oak
- Must be mounted between two wall cabinets



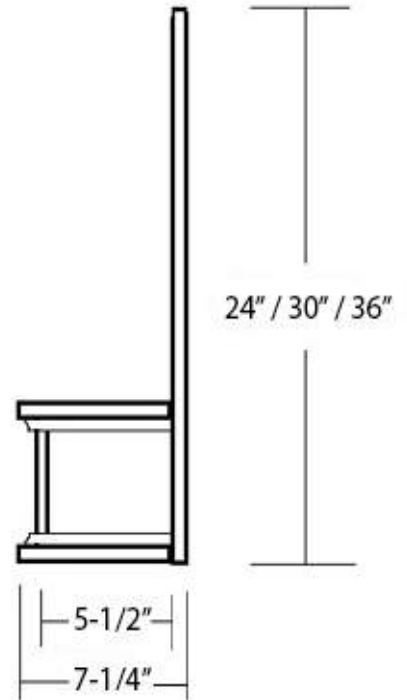


Mantel Style Range Hood Front

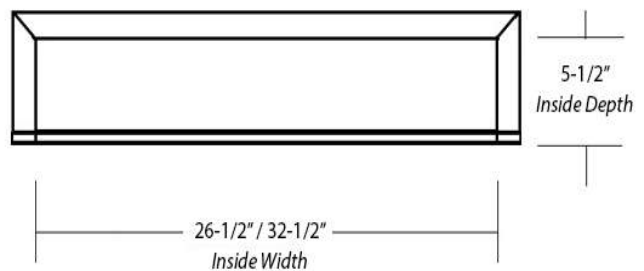
Front View



Side View



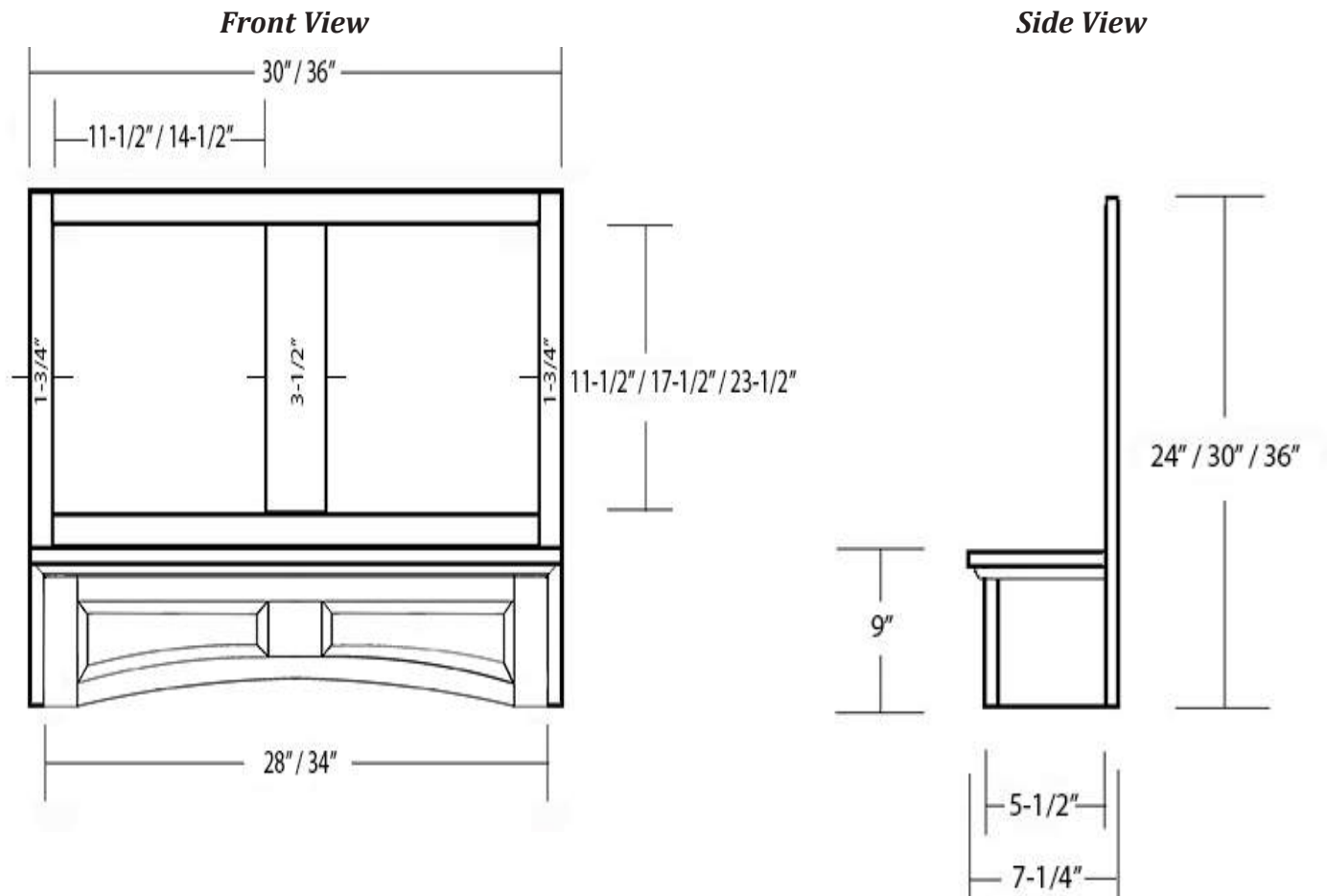
Item #	Dimensions (h) x (w) x (d)	Liner
JSVHF3024	24" X 30" X 7-1/4"	HLT30
JSVHF3030	30" X 30" X 7-1/4"	HLT30
JSVHF3036	36" X 30" X 7-1/4"	HLT30
JSVHF3624	24" X 36" X 7-1/4"	HLT36
JSVHF3630	30" X 36" X 7-1/4"	HLT36
JSVHF3636	36" X 36" X 7-1/4"	HLT36



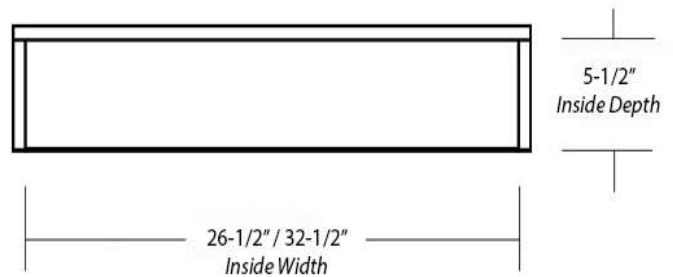
- Hardwood Plywood and Solid Lumber Construction
- Accepts HLT series T-shape Powder Coated Steel Liners (*sold separately*)
- Select from 300, 400 and 600 CFM Broan Ventilation power packs (*sold separately*) or
- *Ascension 350SL, 350SS, 500SS and 620SS CFM Ventilation power packs (sold separately)*
- Available in Alder, Cherry, Hickory, Maple and Red Oak
- Designed to be used with customer supplied cabinet doors
- Must be mounted between two wall cabinets
- Base section will accommodate ornaments up to 5" x 24"



Arched Valance Mantel Range Hood Front



Item #	Dimensions (h) x (w) x (d)	Liner
JAVHF3024	24" X 30" X 7-1/4"	HLT30
JAVHF3030	30" X 30" X 7-1/4"	HLT30
JAVHF3036	36" X 30" X 7-1/4"	HLT30
JAVHF3624	24" X 36" X 7-1/4"	HLT36
JAVHF3630	30" X 36" X 7-1/4"	HLT36
JAVHF3636	36" X 36" X 7-1/4"	HLT36

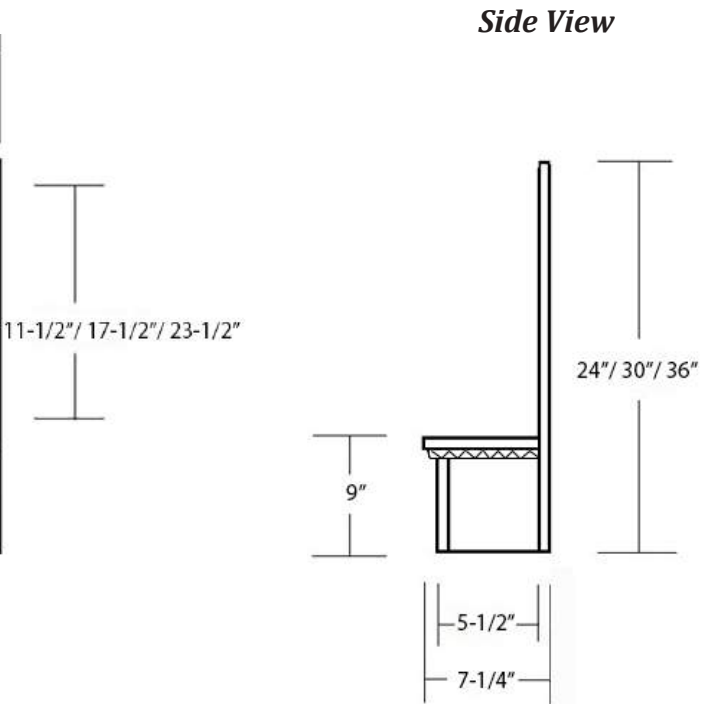
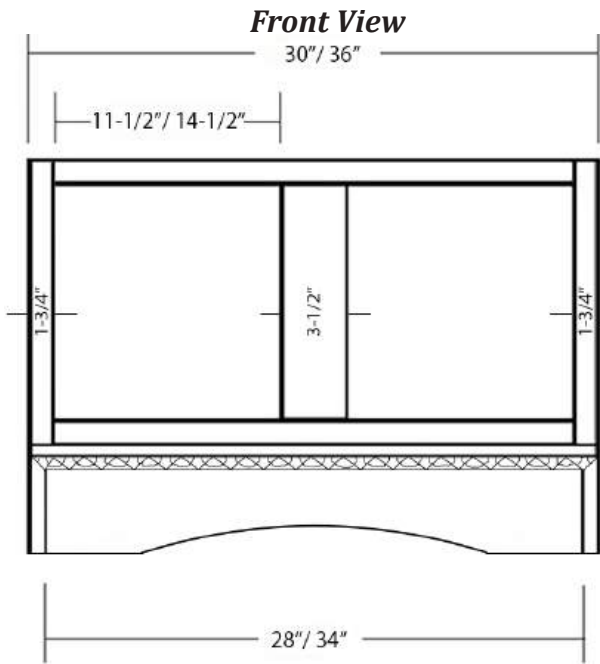


- Solid Hardwood Lumber Construction
- Accepts HLT series T-shape Powder Coated Steel Liners (sold separately)
- Select from 300, 400 and 600 CFM Broan Ventilation power packs (sold separately) or
- Ascension 350SL, 350SS, 500SS and 620SS CFM Ventilation power packs (sold separately)
- Available in Cherry, Maple and Red Oak
- Designed to be used with customer supplied cabinet doors
- Must be mounted between two wall cabinets





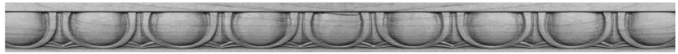
Applied Molding Mantel Hood Front



Item #	Dimensions (h) x (w) x (d)	Liner
JAAHF3024	24" X 30" X 7-1/4"	HLT30
JAAHF3030	30" X 30" X 7-1/4"	HLT30
JAAHF3036	36" X 30" X 7-1/4"	HLT30
JAAHF3624	24" X 36" X 7-1/4"	HLT36
JAAHF3630	30" X 36" X 7-1/4"	HLT36
JAAHF3636	36" X 36" X 7-1/4"	HLT36
JEAHF3024	24" X 30" X 7-1/4"	HLT30
JEAHF3030	30" X 30" X 7-1/4"	HLT30
JEAHF3036	36" X 30" X 7-1/4"	HLT30
JEAHF3624	24" X 36" X 7-1/4"	HLT36
JEAHF3630	30" X 36" X 7-1/4"	HLT36
JEAHF3636	36" X 36" X 7-1/4"	HLT36
JRAHF3024	24" X 30" X 7-1/4"	HLT30
JRAHF3030	30" X 30" X 7-1/4"	HLT30
JRAHF3036	36" X 30" X 7-1/4"	HLT30
JRAHF3624	24" X 36" X 7-1/4"	HLT36
JRAHF3630	30" X 36" X 7-1/4"	HLT36
JRAHF3636	36" X 36" X 7-1/4"	HLT36



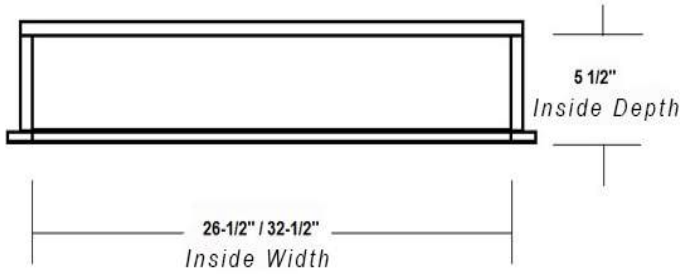
Acanthus Molding Detail



Egg & Dart Molding Detail



Reeded Molding Detail



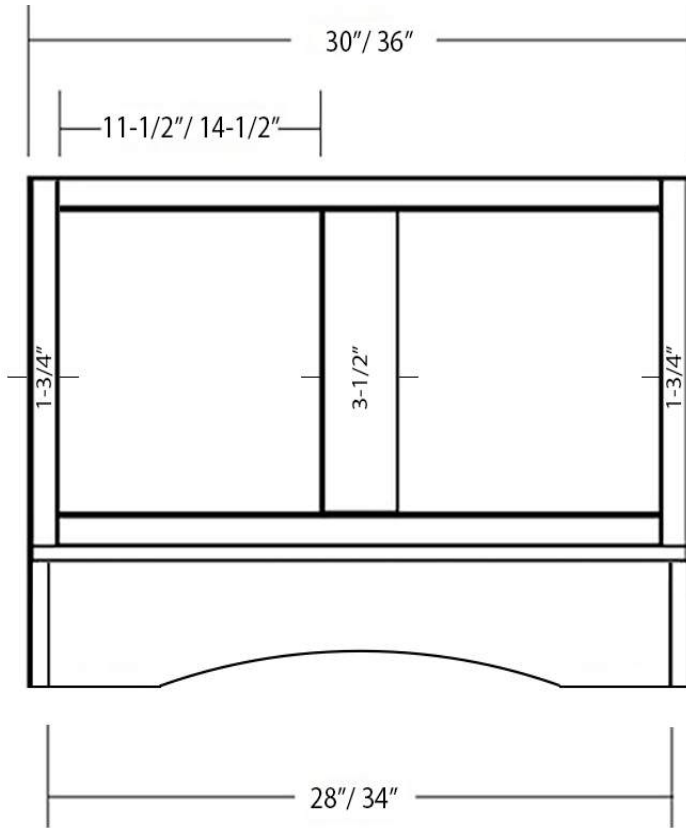
- Hardwood Plywood and Solid Lumber Construction
- Accepts HLT series T-shape Powder Coated Steel Liners (sold separately)
- Select from 300, 400 and 600 CFM Broan Ventilation power packs (sold separately) or Ascension 350SL, 350SS, 500SS and 620SS CFM Ventilation power packs (sold separately)
- Available in Cherry, Maple and Red Oak
- Designed to be used with customer supplied cabinet doors
- Must be mounted between two wall cabinets
- Choose Acanthus (A), Egg & Dart (E) or Reeded (R) Moldings



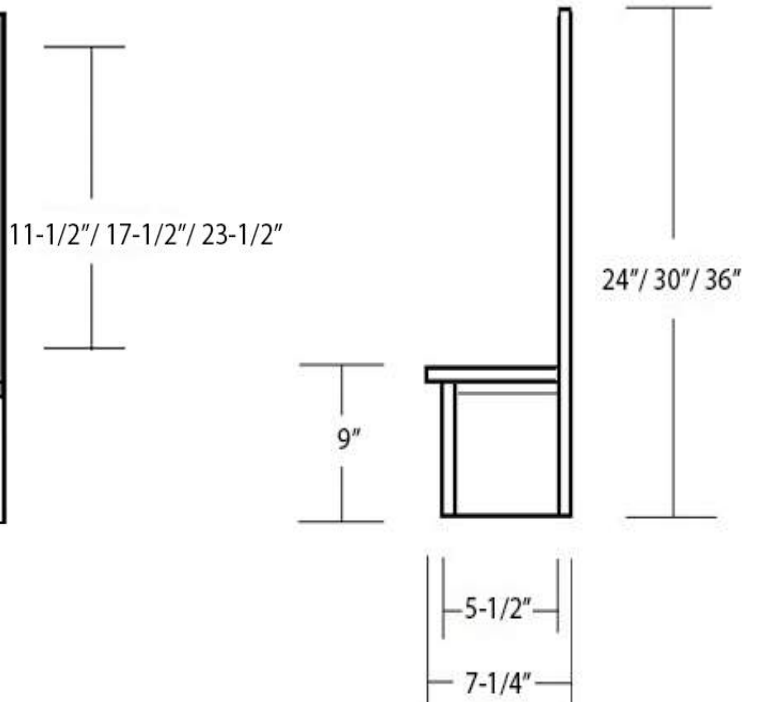
Arched Plain Mantel Range Hood Front



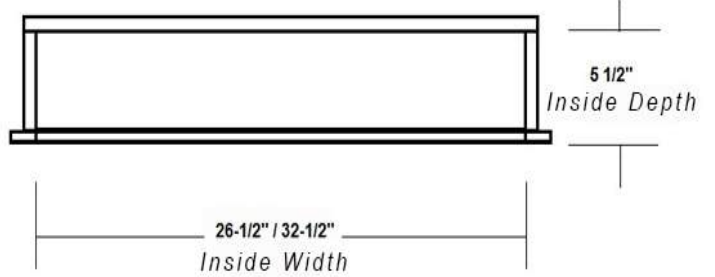
Front View



Side View



Item #	Dimensions (h) x (w) x (d)	Liner
JAHFP3024	24" X 30" X 7-1/4"	HLT30
JAHFP3030	30" X 30" X 7-1/4"	HLT30
JAHFP3036	36" X 30" X 7-1/4"	HLT30
JAHFP3624	24" X 36" X 7-1/4"	HLT36
JAHFP3630	30" X 36" X 7-1/4"	HLT36
JAHFP3636	36" X 36" X 7-1/4"	HLT36



- Hardwood Plywood and Solid Lumber Construction
- Accepts HLT series T-shape Powder Coated Steel Liners *(sold separately)*
- Select from 300, 400 and 600 CFM Broan Ventilation power packs *(sold separately)* or
- *Ascension 350SL, 350SS, 500SS and 620SS CFM Ventilation power packs (sold separately)*
- Available in Alder, Cherry, Hickory, Maple and Red Oak
- Designed to be used with customer supplied cabinet doors
- Must be mounted between two wall cabinets
- Optional moldings available

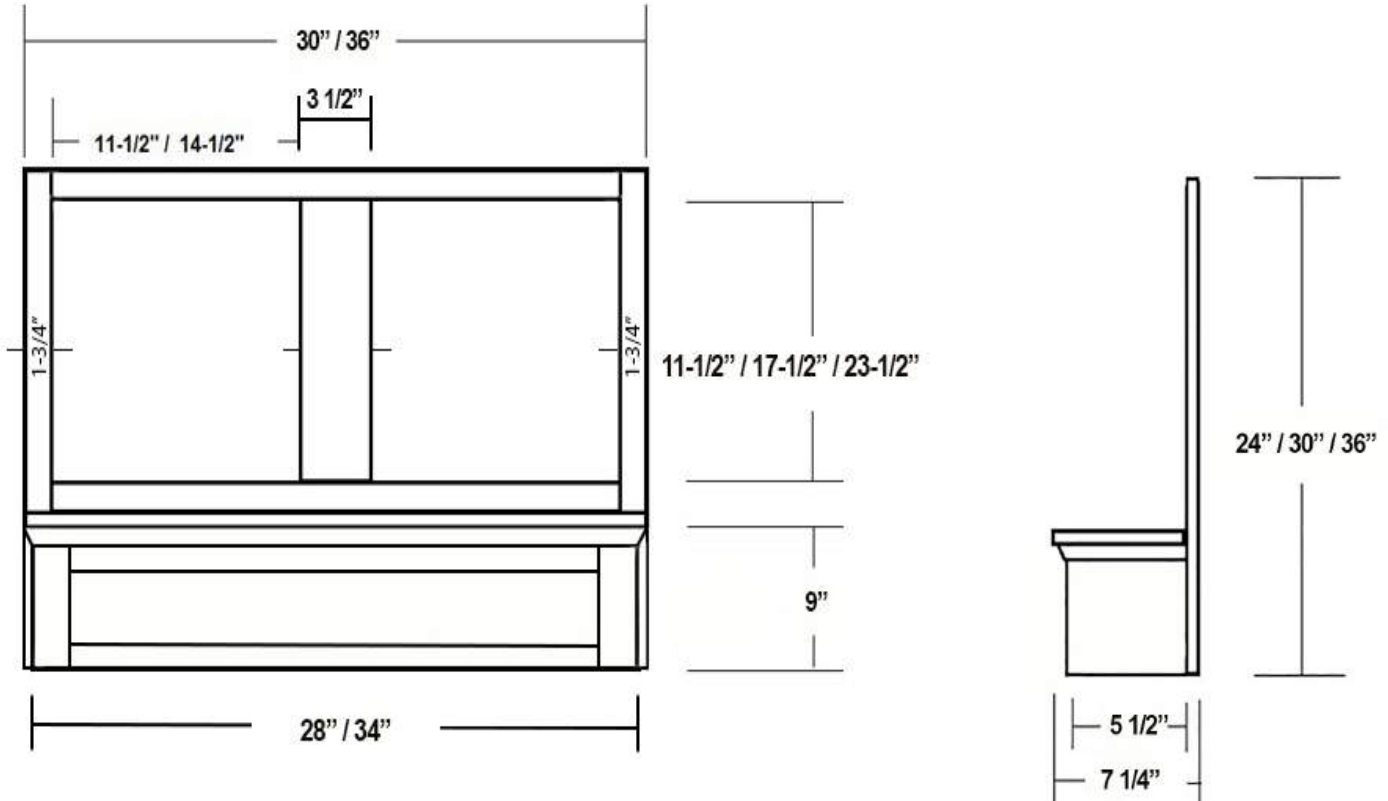




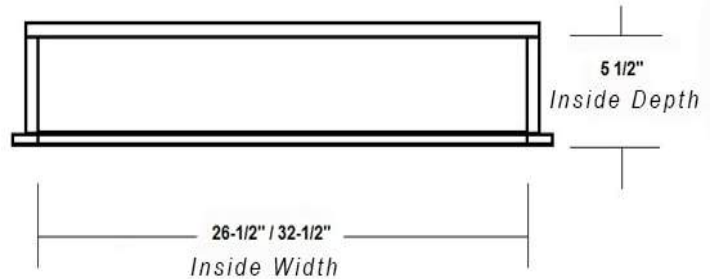
Shaker Mantel Range Hood Front

Front View

Side View



Item #	Dimensions (h) x (w) x (d)	Liner
JSMHF3024	24" X 30" X 7-1/4"	HLT30
JSMHF3030	30" X 30" X 7-1/4"	HLT30
JSMHF3036	36" X 30" X 7-1/4"	HLT30
JSMHF3624	24" X 36" X 7-1/4"	HLT36
JSMHF3630	30" X 36" X 7-1/4"	HLT36
JSMHF3636	36" X 36" X 7-1/4"	HLT36



- Hardwood Plywood and Solid Lumber Construction
- Accepts HLT series T-shape Powder Coated Steel Liners *(sold separately)*
- Select from 300, 400 and 600 CFM Broan Ventilation power packs *(sold separately)* or
- *Ascension 350SL, 350SS, 500SS and 620SS CFM Ventilation power packs (sold separately)*
- Available in Alder, Cherry, Hickory, Maple and Red Oak
- Designed to be used with customer supplied cabinet doors
- Must be mounted between two wall cabinets

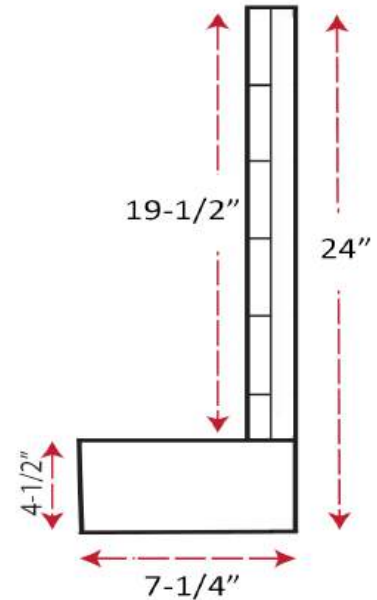
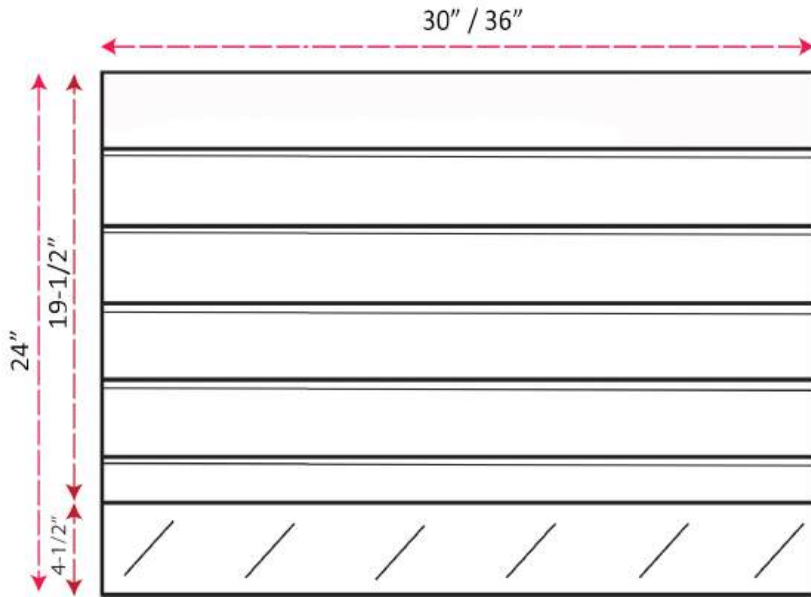


Shiplap Mantel Range Hood Front

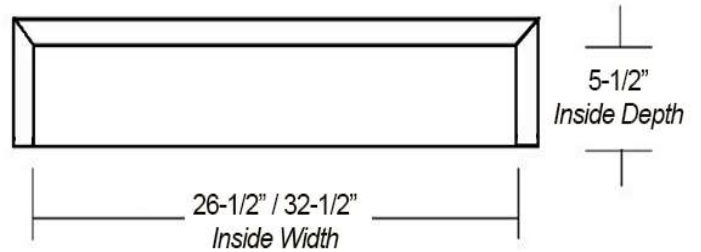


Front View

Side View



Item #	Dimensions (h) x (w) x (d)	Liner
JSLMHFD3024	24" X 30" X 7-1/4"	HLT30
JSLMHFD3030	30" X 30" X 7-1/4"	HLT30
JSLMHFD3036	36" X 30" X 7-1/4"	HLT30
JSLMHFD3624	24" X 36" X 7-1/4"	HLT36
JSLMHFD3630	30" X 36" X 7-1/4"	HLT36
JSLMHFD3636	36" X 36" X 7-1/4"	HLT36



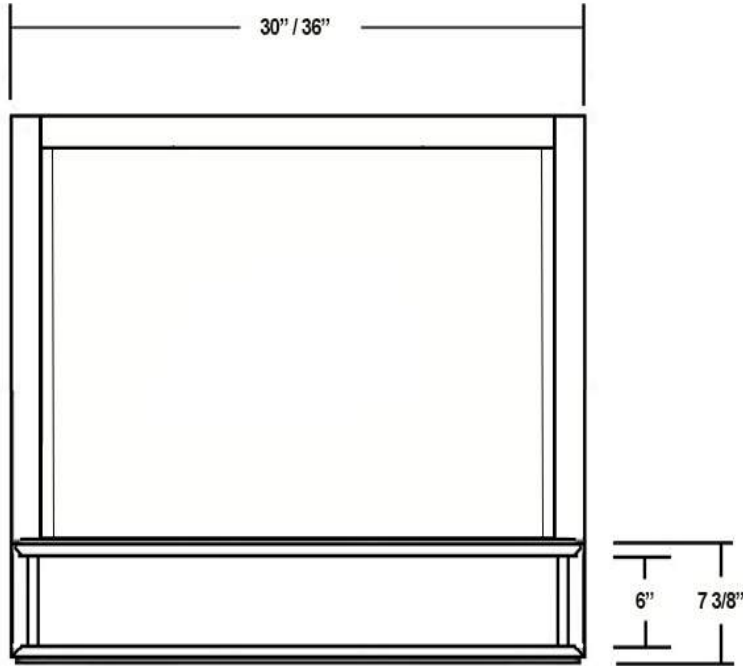
- Hardwood Plywood and Solid Lumber Construction
- Accepts HLT series T-shape Powder Coated Steel Liners (sold separately)
- Select from 300, 400 and 600 CFM Broan Ventilation power packs (sold separately) or Ascension 350SL, 350SS, 500SS and 620SS CFM Ventilation power packs (sold separately)
- Available in Alder, Cherry, Hickory, Maple and Red Oak
- Detachable Front Panel for easy access
- Must be mounted between two wall cabinets



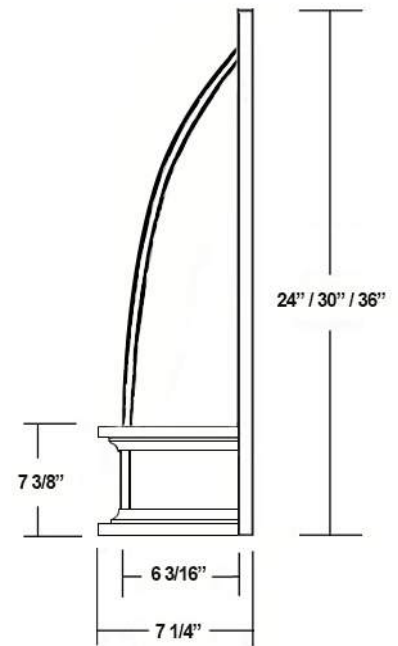


Convex Range Hood Front

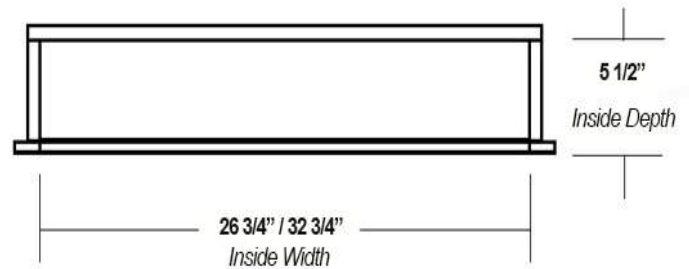
Front View



Side View



Item #	Dimensions (h) x (w) x (d)	Liner
JCVHF3024	24" X 30" X 7-1/4"	HLT30
JCVHF3030	30" X 30" X 7-1/4"	HLT30
JCVHF3036	36" X 30" X 7-1/4"	HLT30
JCVHF3624	24" X 36" X 7-1/4"	HLT36
JCVHF3630	30" X 36" X 7-1/4"	HLT36
JCVHF3636	36" X 36" X 7-1/4"	HLT36



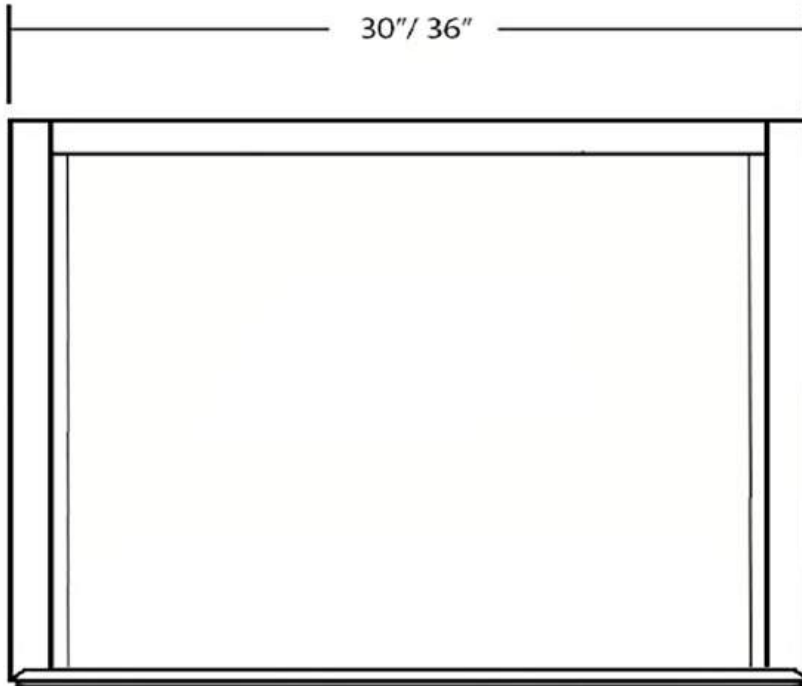
- Veneer, Hardwood Plywood and Solid Lumber Construction
- Accepts HLT series T-shape Powder Coated Steel Liners *(sold separately)*
- Select from 300, 400 or 600 CFM Broan Ventilation power packs *(sold separately)* or
- *Ascension 350SL, 350SS, 500SS and 620SS CFM Ventilation power packs (sold separately)*
- Available in Alder, Cherry, Maple and Red Oak
- Must be mounted between two wall cabinets



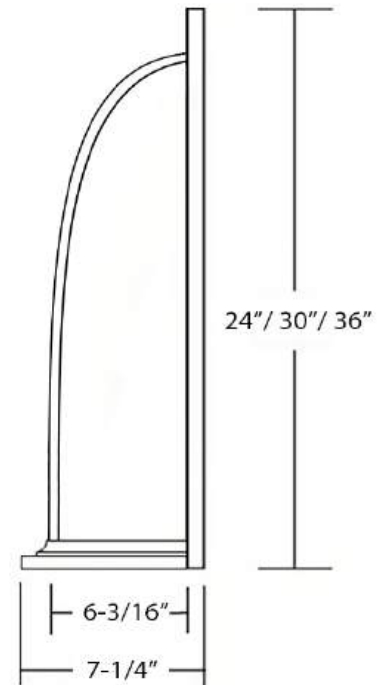
Tall Convex Range Hood Front



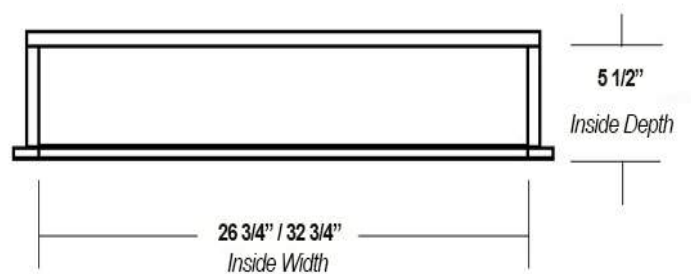
Front View



Side View



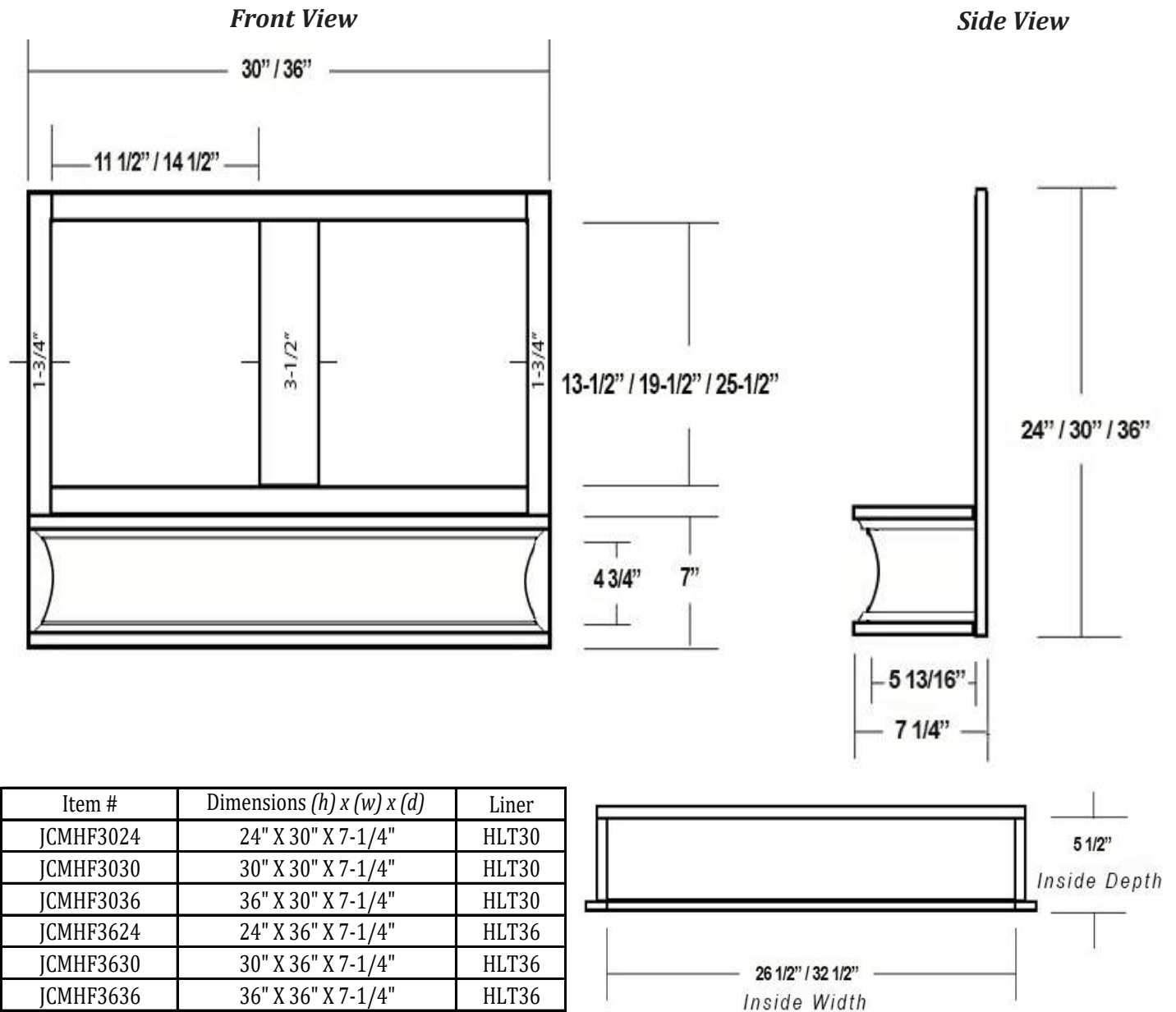
Item #	Dimensions (h) x (w) x (d)	Liner
JCVHFX3024	24" X 30" X 7-1/4"	HLT30
JCVHFX3030	30" X 30" X 7-1/4"	HLT30
JCVHFX3036	36" X 30" X 7-1/4"	HLT30
JCVHFX3624	24" X 36" X 7-1/4"	HLT36
JCVHFX3630	30" X 36" X 7-1/4"	HLT36
JCVHFX3636	36" X 36" X 7-1/4"	HLT36



- Veneer, Hardwood Plywood and Solid Lumber Construction
- Accepts HLT series T-shape Powder Coated Steel Liners (sold separately)
- Select from 300, 400 or 600 CFM Broan Ventilation power packs (sold separately) or
- Ascension 350SL, 350SS, 500SS and 620SS CFM Ventilation power packs (sold separately)
- Available in Alder, Cherry, Maple and Red Oak
- Must be mounted between two wall cabinets



Coved Mantel Range Hood Front



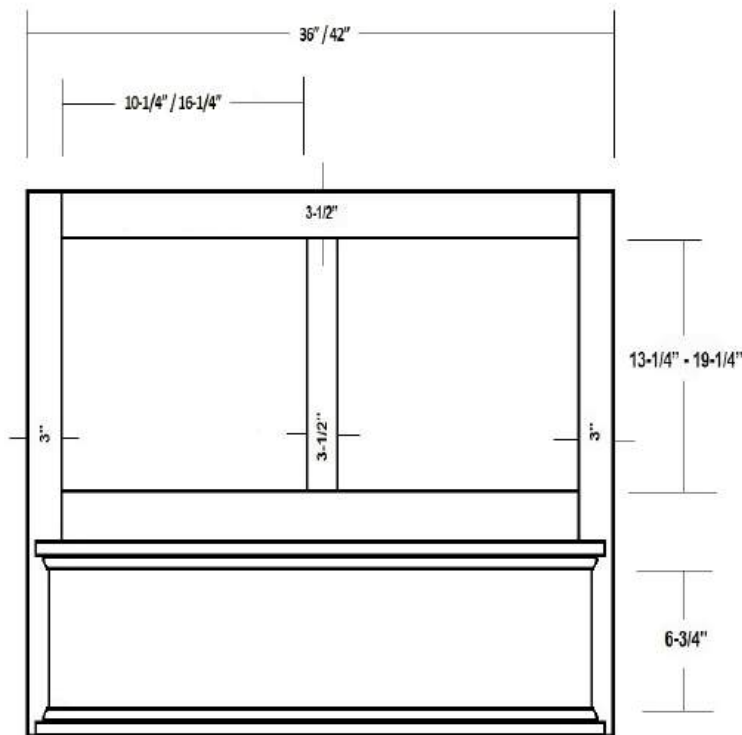
- Solid Lumber Construction
- Accepts HLT series T-shape Powder Coated Steel Liners *(sold separately)*
- Select from 300, 400 or 600 CFM Broan Ventilation power packs *(sold separately)* or
- Ascension 350SL, 350SS, 500SS and 620SS CFM Ventilation power packs *(sold separately)*
- Available in Alder, Cherry, Maple and Red Oak
- Designed to be used with customer supplied cabinet doors
- Must be mounted between two wall cabinets



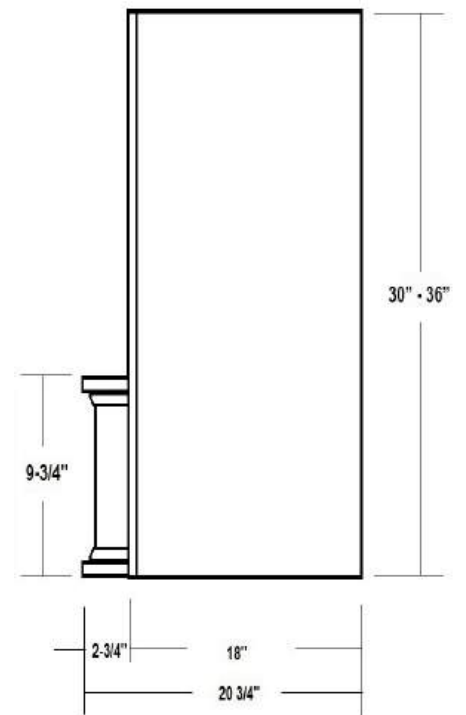
Mantel Style Range Hood



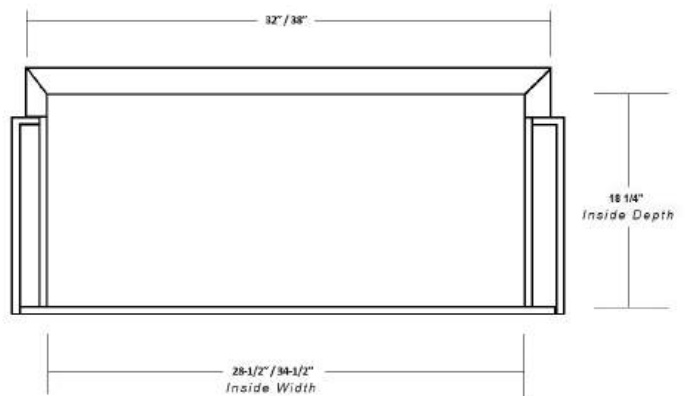
Front View



Side View



Item #	Dimensions (h) x (w) x (d)	Liner	Liner
WMHS3630	30" x 36" x 20-3/4"	HLB30	HLZ30
WMHS3636	36" x 36" x 20-3/4"	HLB30	HLZ30
WMHS4230	30" x 42" x 20-3/4"	HLB36	HLZ36
WMHS4236	36" x 42" x 20-3/4"	HLB36	HLZ36



- Hardwood Plywood and Solid Lumber Construction
- Accepts HLB series Powder Coated or Stainless Steel Liners (*sold separately*)
- Select from 300, 400 or 600 CFM Broan Ventilation power packs (*sold separately*) or
- Ascension 350SL, 350SS, 500SS and 620SS CFM Ventilation power packs (*sold separately*) or
- Ascension 900 CFM Professional Ventilators (*requires HLZ series Liners*)
- Available in Alder, Cherry, Hickory, Maple and Red Oak
- Designed to be used with customer supplied cabinet doors
- Increased Depth option available
- Base section will accommodate Ornaments up to 5" x 24"

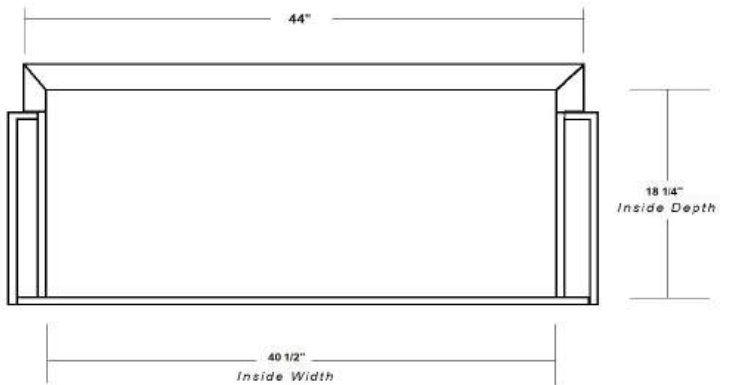
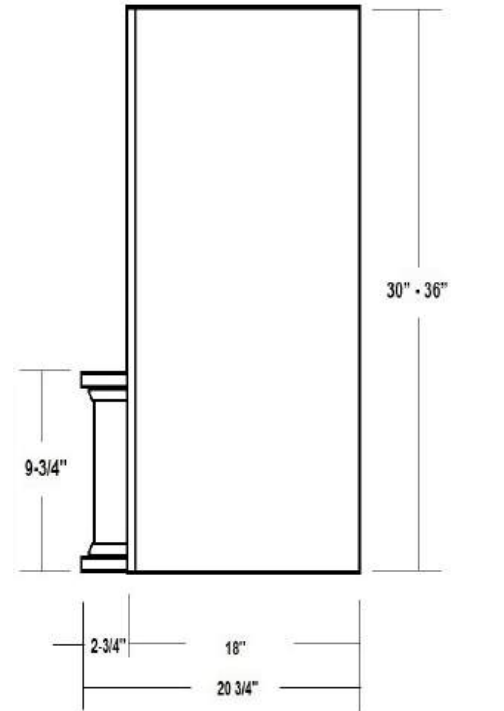
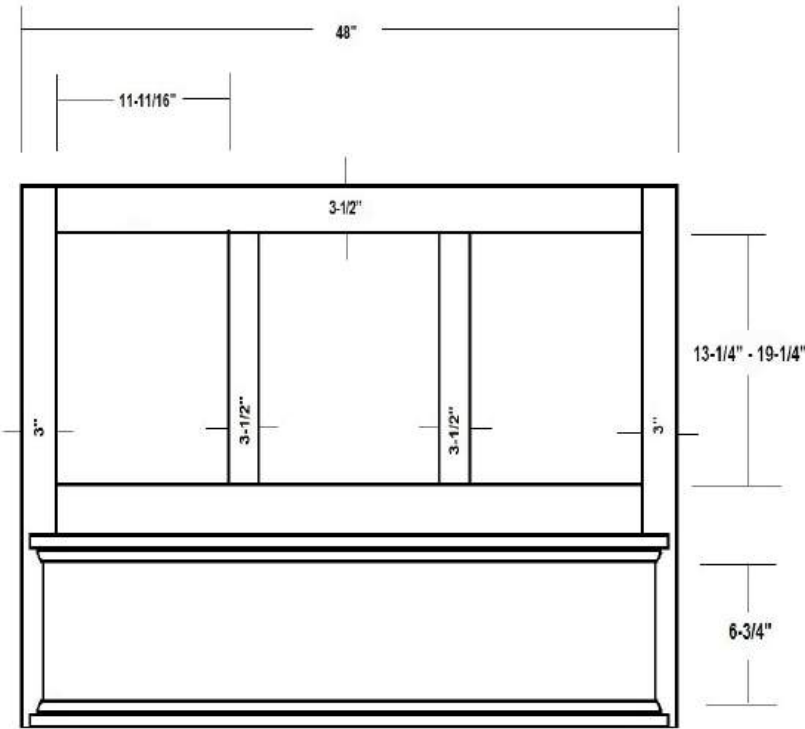




Mantel Style Range Hood

Front View

Side View



Item #	Dimensions (h) x (w) x (d)	Liner	Liner
WMHS4830	30" x 48" x 20-3/4"	HLB42	HLZ42
WMHS4836	36" x 48" x 20-3/4"	HLB42	HLZ42

- Hardwood Plywood and Solid Lumber Construction
- Accepts HLB series Powder Coated or Stainless Steel Liners (*sold separately*)
- Select from 300, 400 or 600 CFM Broan Ventilation power packs (*sold separately*) or
- *Ascension 350SL, 350SS, 500SS and 620SS CFM Ventilation power packs (sold separately) or*
- *Ascension 1200 CFM Professional Ventilators (requires HLZ series Liners)*
- Available in Alder, Cherry, Hickory, Maple and Red Oak
- Designed to be used with customer supplied cabinet doors
- Increased Depth option available
- Base section will accommodate Ornaments up to 5" x 24"

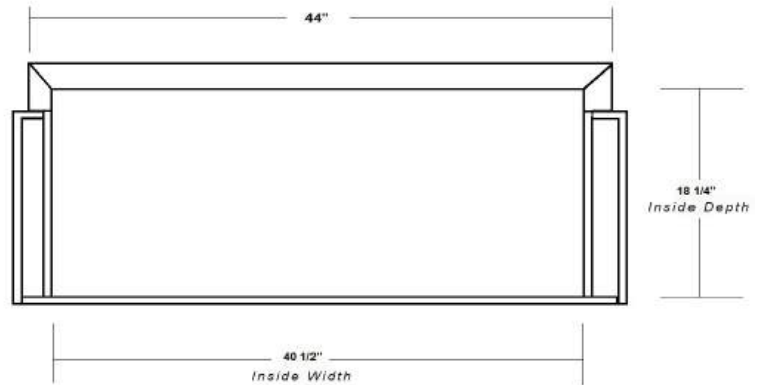
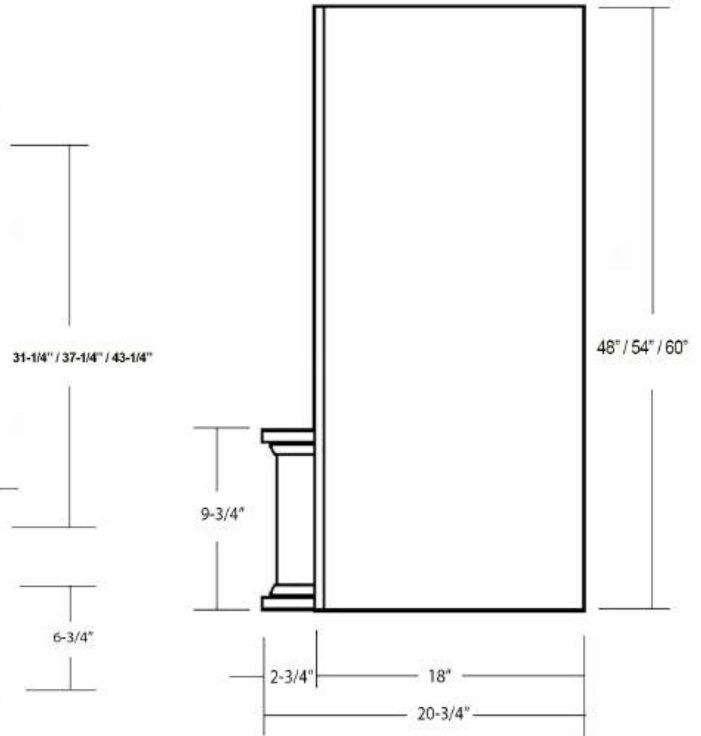
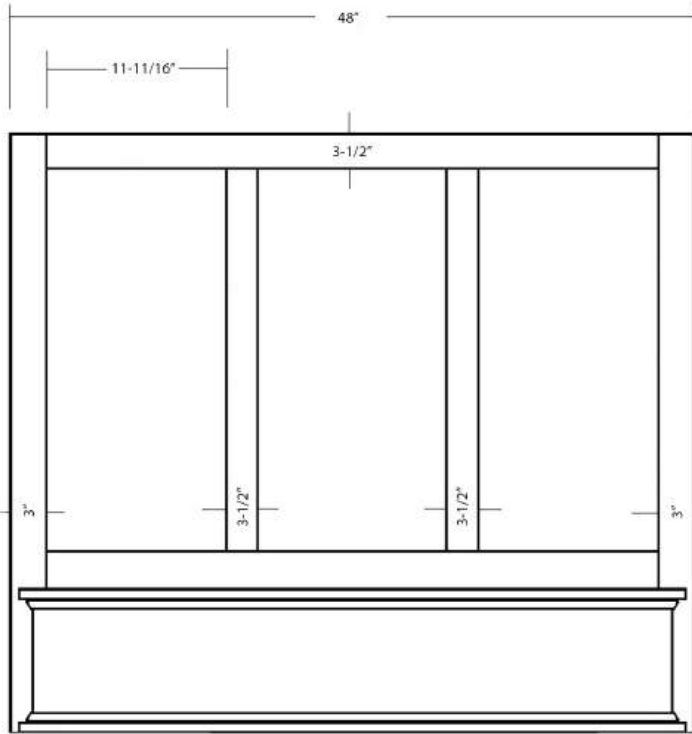


Mantel Style Range Hood



Front View

Side View



Item #	Dimensions (h) x (w) x (d)	Liner	Liner
WMHS4848	48" x 48" x 20-3/4"	HLB42	HLZ42
WMHS4854	54" x 48" x 20-3/4"	HLB42	HLZ42
WMHS4860	60" x 48" x 20-3/4"	HLB42	HLZ42

- Hardwood Plywood and Solid Lumber Construction
- Accepts HLB series Powder Coated or Stainless Steel Liners (*sold separately*)
- Select from 300, 400 or 600 CFM Broan Ventilation power packs (*sold separately*) or
- Ascension 350SL, 350SS, 500SS and 620SS CFM Ventilation power packs (*sold separately*) or
- Ascension 1200 CFM Professional Ventilators (*requires HLZ series Liners*)
- Available in Alder, Cherry, Hickory, Maple and Red Oak
- Designed to be used with customer supplied cabinet doors
- Increased Depth option available
- Base section will accommodate Ornaments up to 5" x 24"

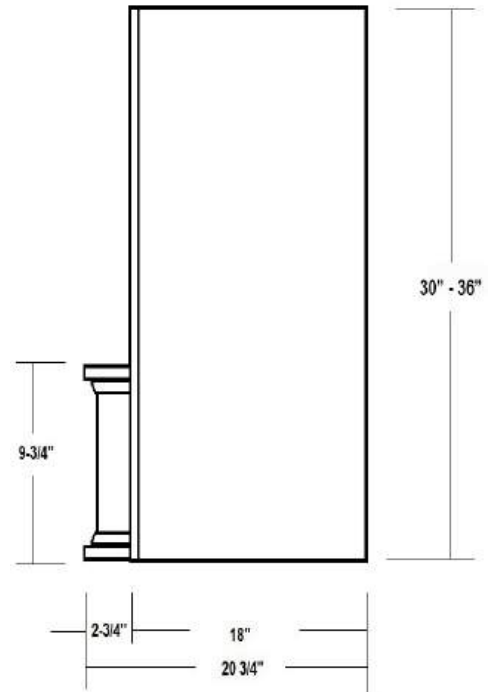
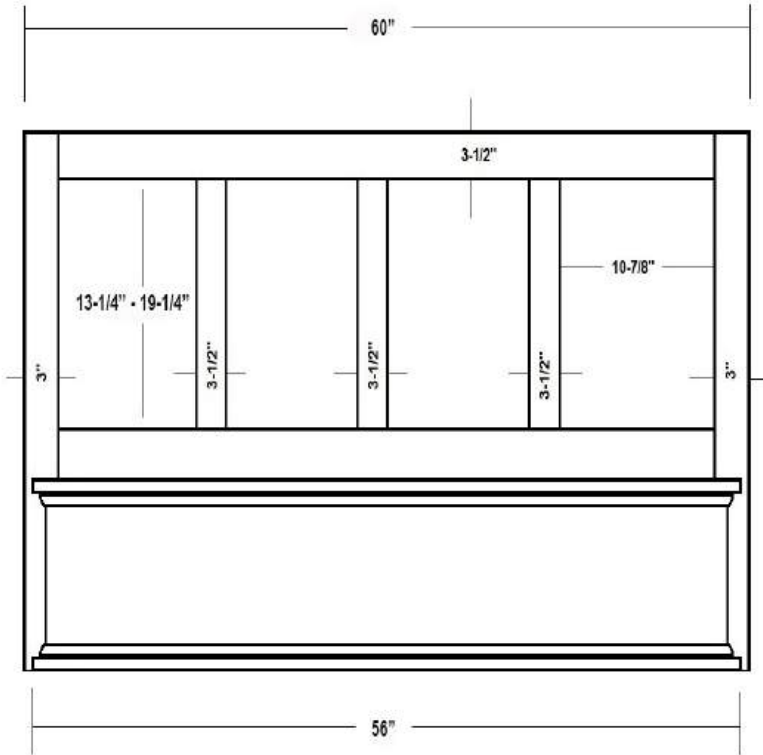




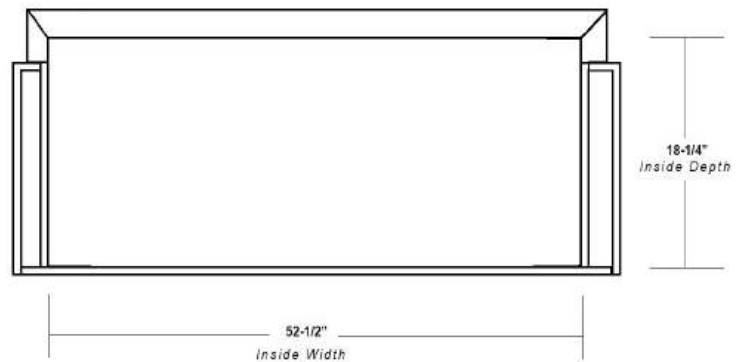
Mantel Style Range Hood

Front View

Side View



Item #	Dimensions (h) x (w) x (d)	Liner	Liner
WMHS6030	30" x 60" x 20-3/4"	HLB48	HLZ48
WMHS6036	36" x 60" x 20-3/4"	HLB48	HLZ48



- Hardwood Plywood and Solid Lumber Construction
- Accepts HLB series Powder Coated or Stainless Steel Liners *(sold separately)*
- Select from 300, 400 or 600 CFM Broan Ventilation power packs *(sold separately)* or
- *Ascension 350SL, 350SS, 500SS and 620SS CFM Ventilation power packs (sold separately)* or
- *Ascension 1200 CFM Professional Ventilators (requires HLZ series Liners)*
- Available in Alder, Cherry, Hickory, Maple and Red Oak
- Designed to be used with customer supplied cabinet doors
- Increased Depth option available
- Base section will accommodate Ornaments up to 5" x 24"

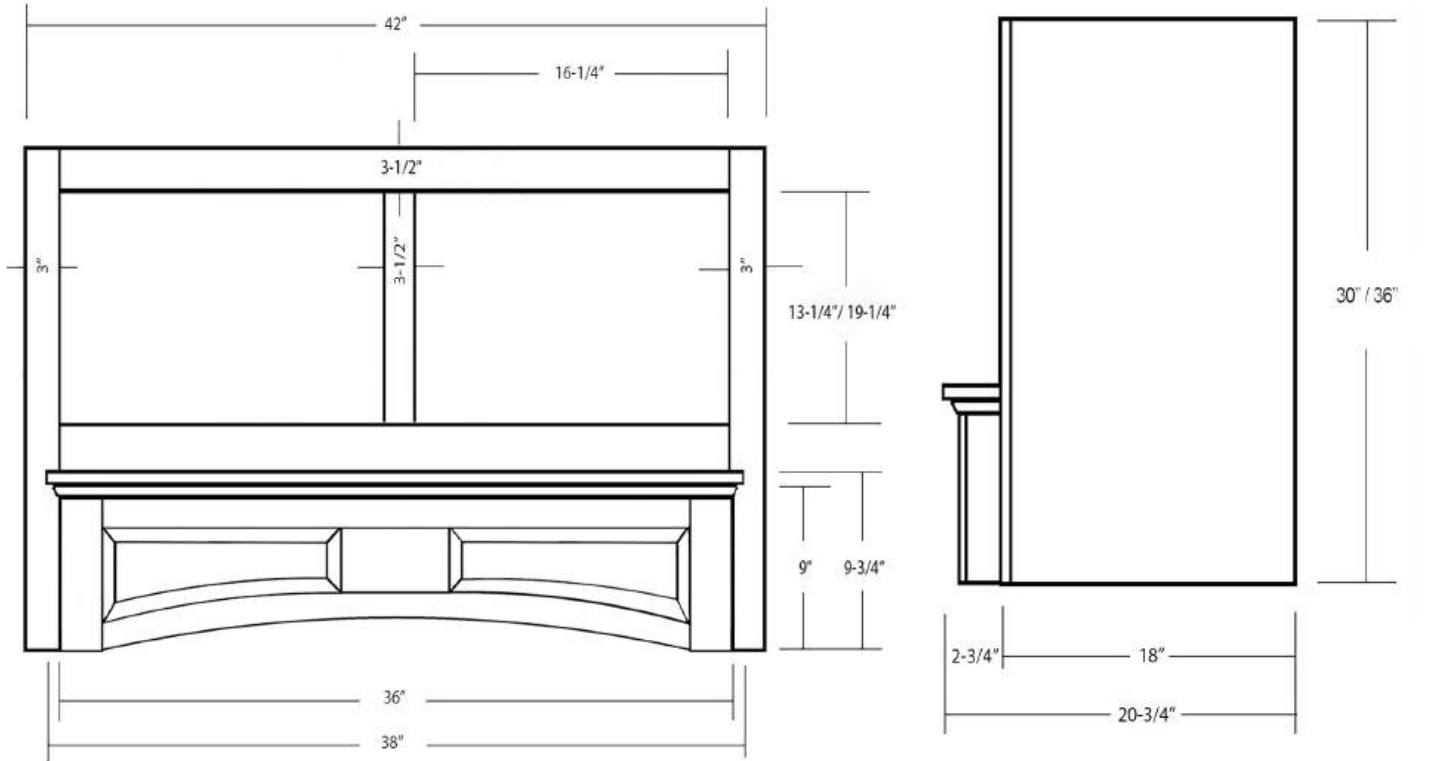


Arched Raised Panel Mantel Range Hood

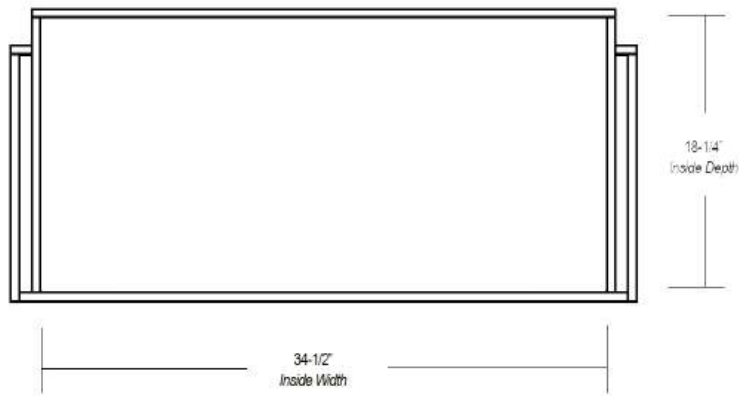


Front View

Side View



Item #	Dimensions (h) x (w) x (d)	Liner	Liner
WMHRP4230	30" x 42" x 20-3/4"	HLB36	HLZ36
WMHRP4236	36" x 42" x 20-3/4"	HLB36	HLZ36



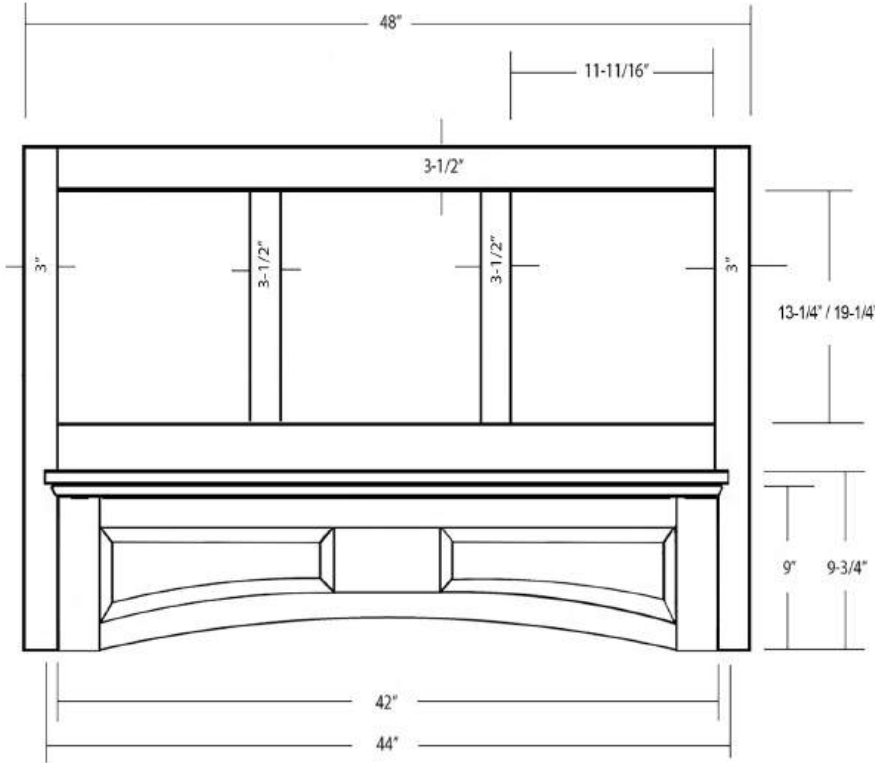
- Hardwood Plywood and Solid Lumber Construction
- Accepts HLB series Powder Coated or Stainless Steel Liners (*sold separately*)
- Select from 300, 400 or 600 CFM Broan Ventilation power packs (*sold separately*) or
- *Ascension 350SL, 350SS, 500SS and 620SS CFM Ventilation power packs (sold separately) or*
- *Ascension 900 CFM Professional Ventilators (requires HLZ series Liners)*
- Available in Cherry, Maple and Red Oak
- Designed to be used with customer supplied cabinet doors
- Increased Depth option available



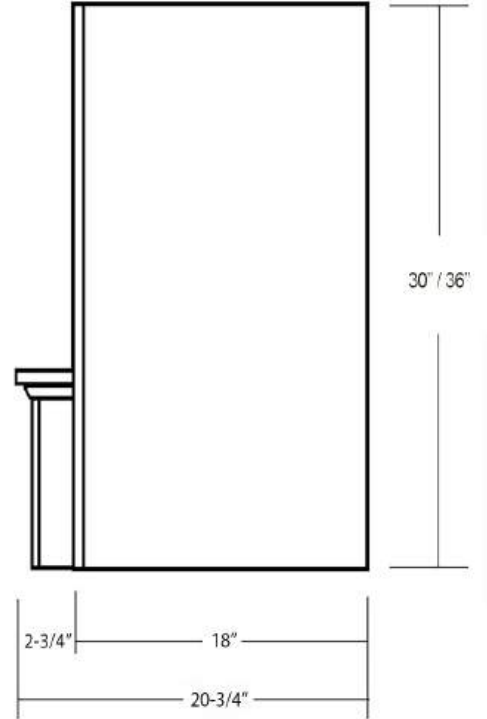


Arched Raised Panel Mantel Range Hood

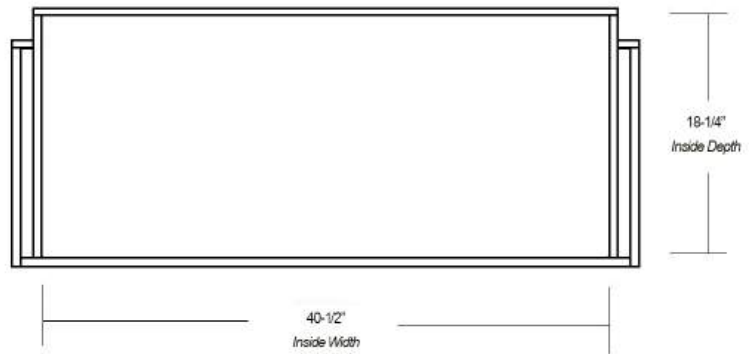
Front View



Side View



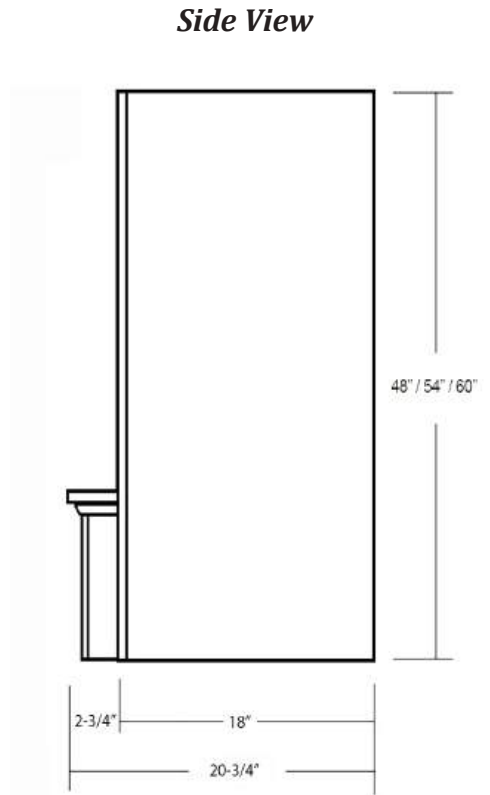
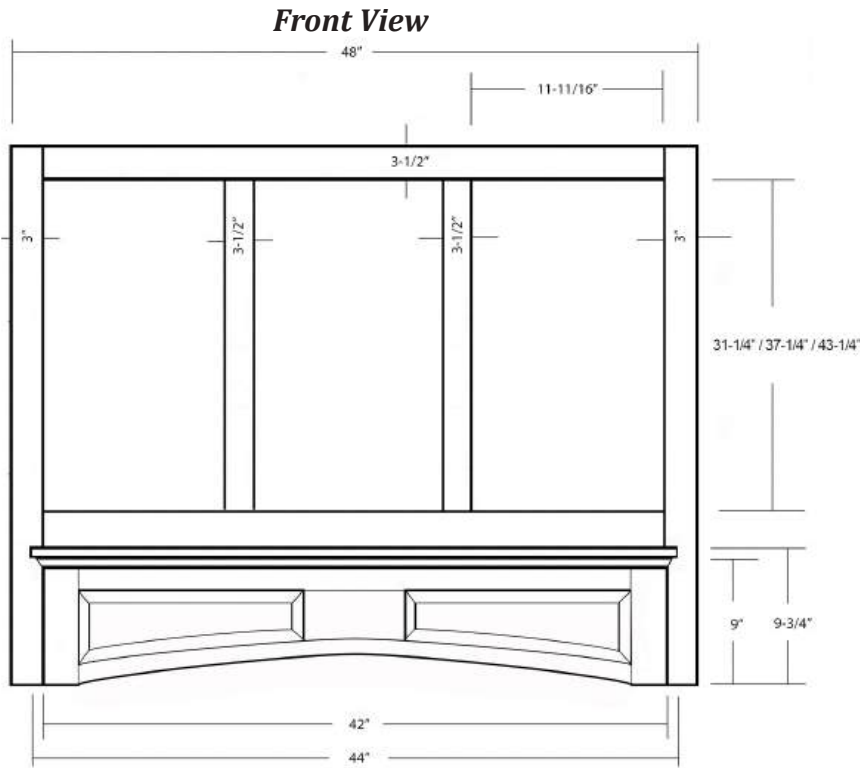
Item #	Dimensions (h) x (w) x (d)	Liner	Liner
WMHRP4830	30" x 48" x 20-3/4"	HLB42	HLZ42
WMHRP4836	36" x 48" x 20-3/4"	HLB42	HLZ42



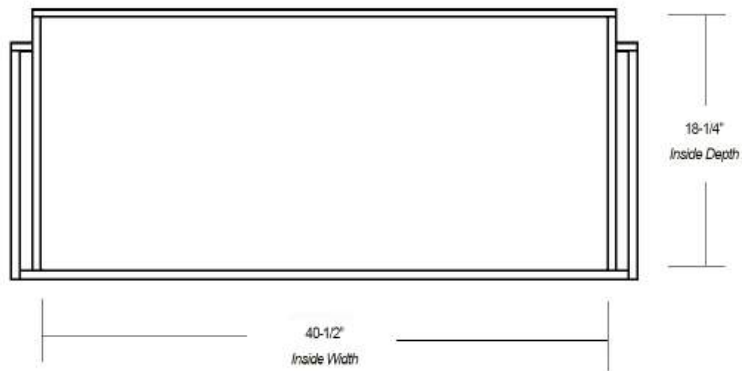
- Hardwood Plywood and Solid Lumber Construction
- Accepts HLB series Powder Coated or Stainless Steel Liners (sold separately)
- Select from 300, 400 or 600 CFM Broan Ventilation power packs (sold separately) or
- Ascension 350SL, 350SS, 500SS and 620SS CFM Ventilation power packs (sold separately) or
- Ascension 1200 CFM Professional Ventilators (requires HLZ series Liners)
- Available in Cherry, Maple and Red Oak
- Designed to be used with customer supplied cabinet doors
- Increased Depth option available



Arched Raised Panel Mantel Range Hood



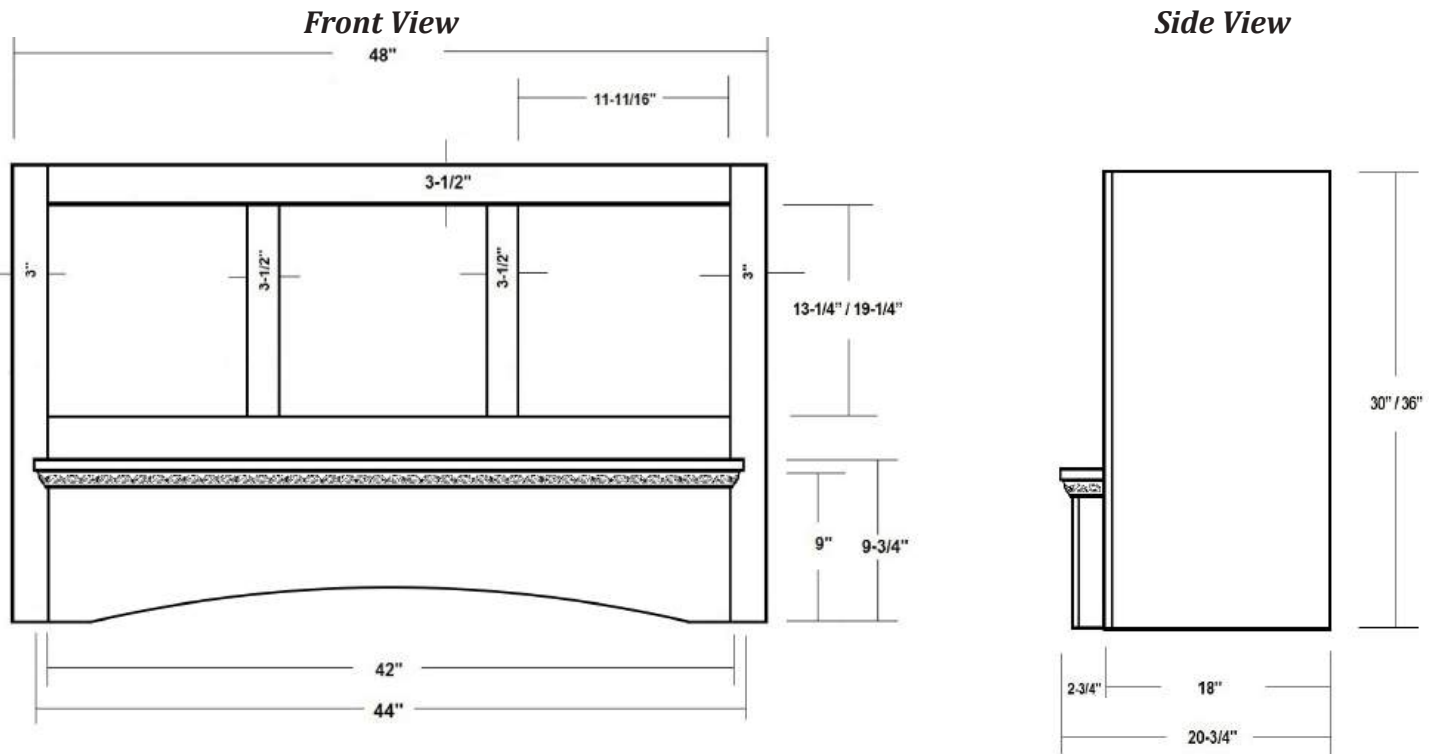
Item #	Dimensions (h) x (w) x (d)	Liner	Liner
WMHRP4848	48" x 48" x 20-3/4"	HLB42	HLZ42
WMHRP4854	54" x 48" x 20-3/4"	HLB42	HLZ42
WMHRP4860	60" x 48" x 20-3/4"	HLB42	HLZ42



- Hardwood Plywood and Solid Lumber Construction
- Accepts HLB series Powder Coated or Stainless Steel Liners *(sold separately)*
- Select from 300, 400 or 600 CFM Broan Ventilation power packs *(sold separately)* or
- *Ascension 350SL, 350SS, 500SS and 620SS CFM Ventilation power packs (sold separately)* or
- *Ascension 1200 CFM Professional Ventilators (requires HLZ series Liners)*
- Available in Cherry, Maple and Red Oak
- Designed to be used with customer supplied cabinet doors
- Increased Depth option available



Applied Molding Mantel Range Hood



Acanthus Molding Detail

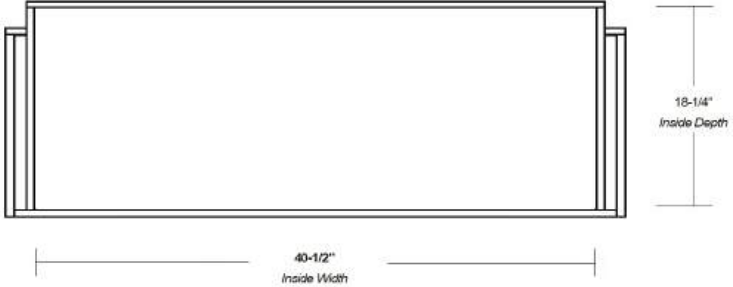


Egg & Dart Molding Detail



Reeded Molding Detail

Item #	Dimensions (h) x (w) x (d)	Liner	Liner
WMHAA4830	30" x 48" x 20-3/4"	HLB42	HLZ42
WMHAA4836	36" x 48" x 20-3/4"	HLB42	HLZ42
WMHAE4830	30" x 48" x 20-3/4"	HLB42	HLZ42
WMHAE4836	36" x 48" x 20-3/4"	HLB42	HLZ42
WMHAR4830	30" x 48" x 20-3/4"	HLB42	HLZ42
WMHAR4836	36" x 48" x 20-3/4"	HLB42	HLZ42

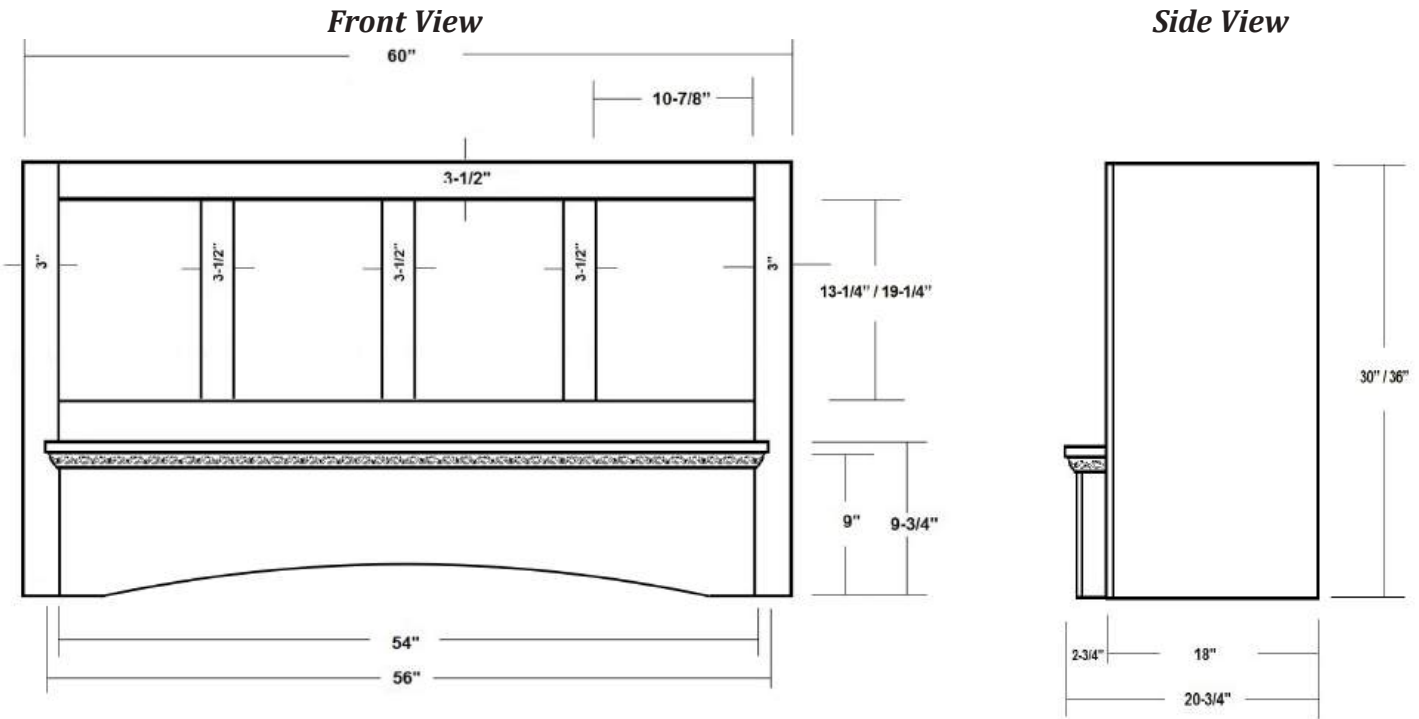


- Hardwood Plywood and Solid Lumber Construction
- Accepts HLB series Powder Coated or Stainless Steel Liners (sold separately)
- Select from 300, 400 or 600 CFM Broan Ventilation power packs (sold separately) or
- Ascension 350SL, 350SS, 500SS and 620SS CFM Ventilation power packs (sold separately) or
- Ascension 1200 CFM Professional Ventilators (requires HLZ series Liners)
- Available in Cherry, Maple and Red Oak
- Designed to be used with customer supplied cabinet doors
- Increased Depth option available
- Choose Acanthus (A), Egg & Dart (E) or Reeded (R) Moldings





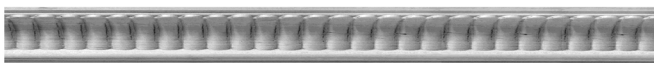
Applied Molding Mantel Range Hood



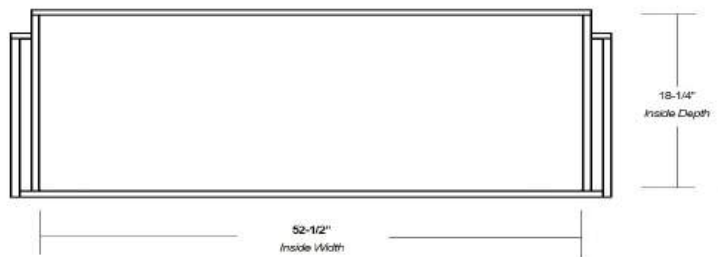
Acanthus Molding Detail



Egg & Dart Molding Detail



Reeded Molding Detail



Item #	Dimensions (h) x (w) x (d)	Liner	Liner
WMHAA6030	30" x 60" x 20-3/4"	HLB48	HLZ48
WMHAA6036	36" x 60" x 20-3/4"	HLB48	HLZ48
WMHAE6030	30" x 60" x 20-3/4"	HLB48	HLZ48
WMHAE6036	36" x 60" x 20-3/4"	HLB48	HLZ48
WMHAR6030	30" x 60" x 20-3/4"	HLB48	HLZ48
WMHAR6036	36" x 60" x 20-3/4"	HLB48	HLZ48

- Hardwood Plywood and Solid Lumber Construction
- Accepts HLB series Powder Coated or Stainless Steel Liners (*sold separately*)
- Select from 300, 400 or 600 CFM Broan Ventilation power packs (*sold separately*) or
- *Ascension 350SL, 350SS, 500SS and 620SS CFM Ventilation power packs (sold separately) or*
- *Ascension 1200 CFM Professional Ventilators (requires HLZ series Liners)*
- Available in Cherry, Maple and Red Oak
- Designed to be used with customer supplied cabinet doors
- Increased Depth option available
- Choose *Acanthus (A), Egg & Dart (E) or Reeded (R) Moldings*

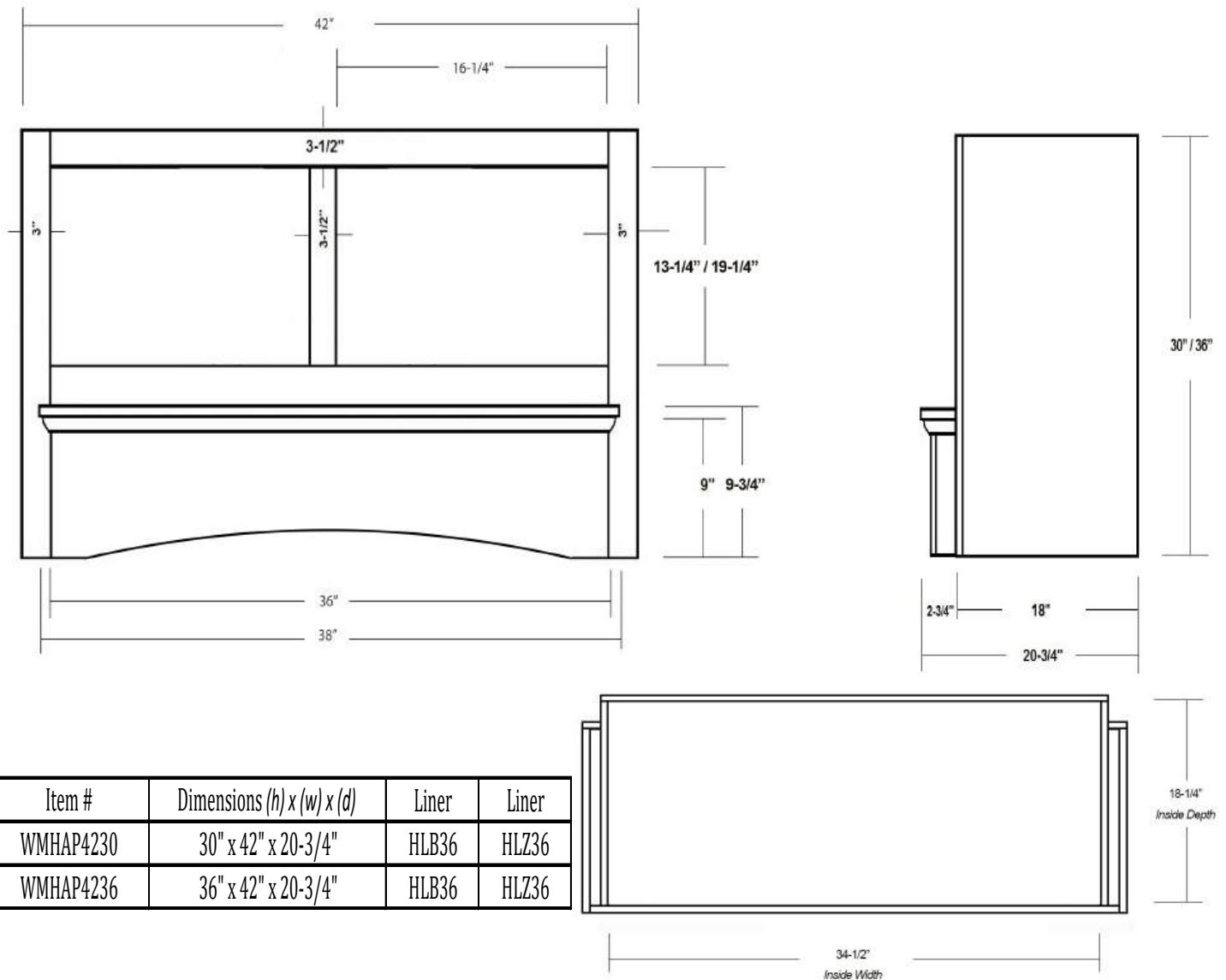


Arched Plain Valance Mantel Range Hood



Front View

Side View



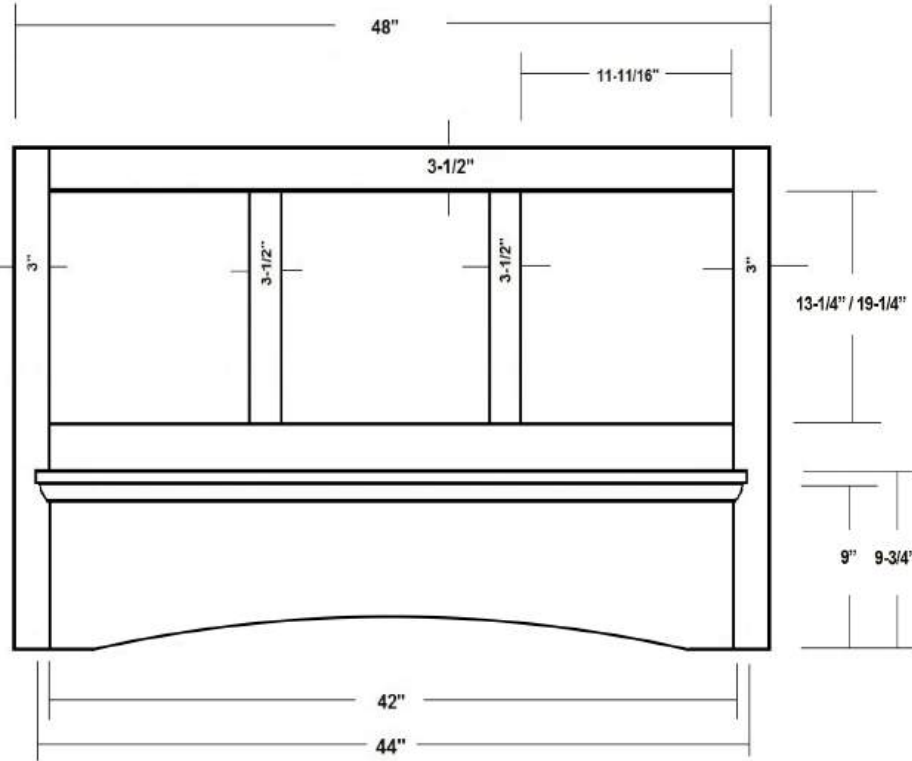
- Hardwood Plywood and Solid Lumber Construction
- Accepts HLB series Powder Coated or Stainless Steel Liners (*sold separately*)
- Select from 300, 400 or 600 CFM Broan Ventilation power packs (*sold separately*) or
- *Ascension 350SL, 350SS, 500SS and 620SS CFM Ventilation power packs (sold separately) or*
- *Ascension 900 CFM Professional Ventilators (requires HLZ series Liners)*
- Available in Alder, Cherry, Hickory, Maple and Red Oak
- Designed to be used with customer supplied cabinet doors
- Increased Depth option available



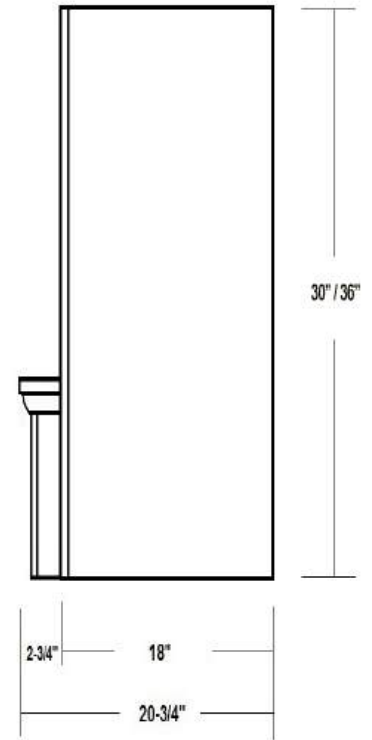


Arched Plain Valance Mantel Range Hood

Front View



Side View



Item #	Dimensions (h) x (w) x (d)	Liner	Liner
WMHAP4830	30" x 48" x 20-3/4"	HLB42	HLZ42
WMHAP4836	36" x 48" x 20-3/4"	HLB42	HLZ42



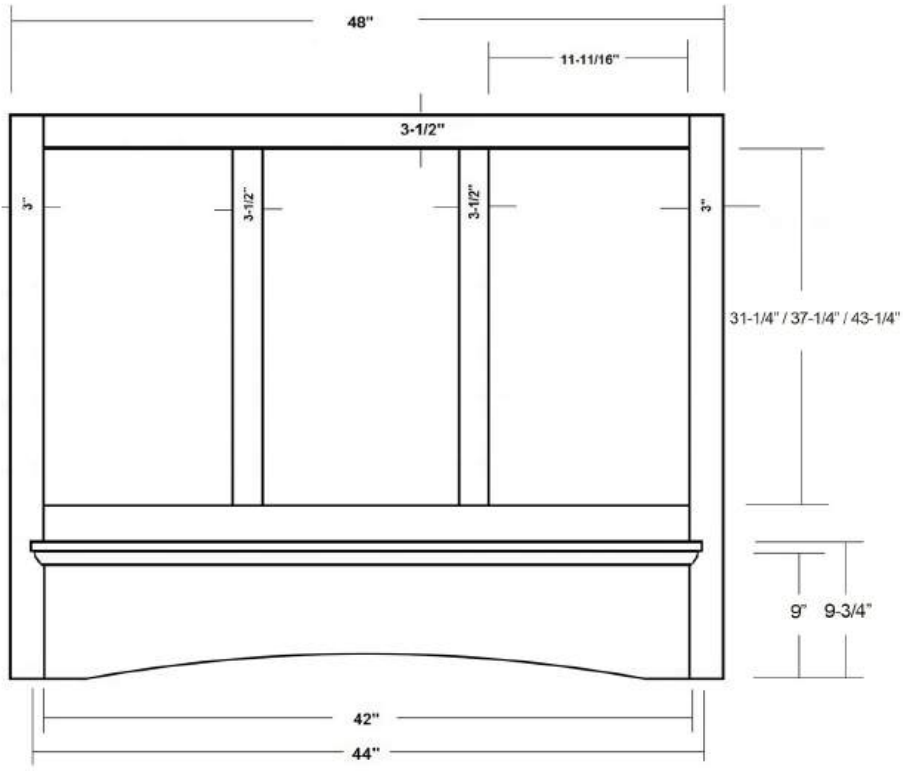
- Hardwood Plywood and Solid Lumber Construction
- Accepts HLB series Powder Coated or Stainless Steel Liners *(sold separately)*
- Select from 300, 400 or 600 CFM Broan Ventilation power packs *(sold separately)* or
- *Ascension 350SL, 350SS, 500SS and 620SS CFM Ventilation power packs (sold separately)* or
- *Ascension 1200 CFM Professional Ventilators (requires HLZ series Liners)*
- Available in Alder, Cherry, Hickory, Maple and Red Oak
- Designed to be used with customer supplied cabinet doors
- Increased Depth option available



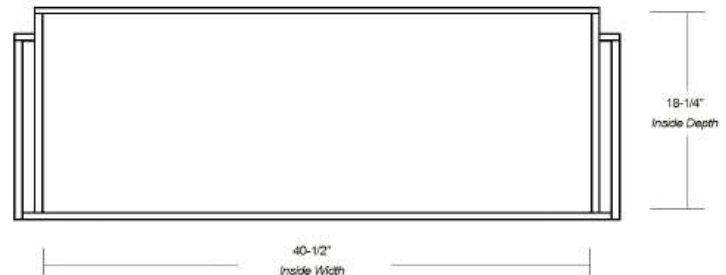
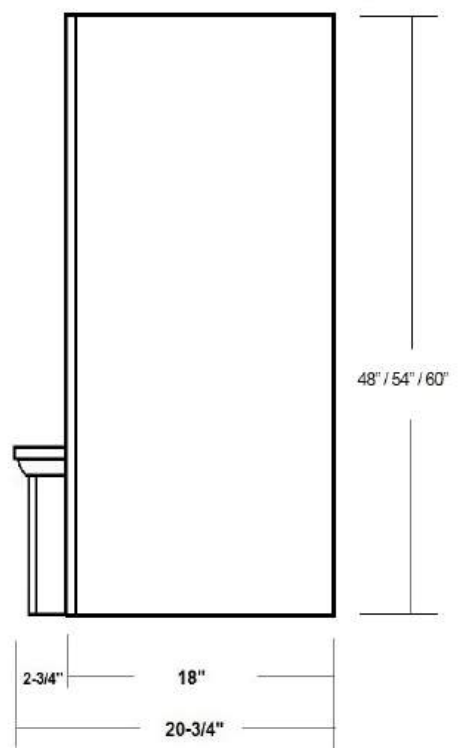
Arched Plain Valance Mantel Range Hood



Front View



Side View



Item #	Dimensions (h) x (w) x (d)	Liner	Liner
WMHAP4848	48" x 48" x 20-3/4"	HLB42	HLZ42
WMHAP4854	54" x 48" x 20-3/4"	HLB42	HLZ42
WMHAP4860	60" x 48" x 20-3/4"	HLB42	HLZ42

- Hardwood Plywood and Solid Lumber Construction
- Accepts HLB series Powder Coated or Stainless Steel Liners *(sold separately)*
- Select from 300, 400 or 600 CFM Broan Ventilation power packs *(sold separately)* or
- *Ascension 350SL, 350SS, 500SS and 620SS CFM Ventilation power packs (sold separately)* or
- *Ascension 1200 CFM Professional Ventilators (requires HLZ series Liners)*
- Available in Alder, Cherry, Hickory, Maple and Red Oak
- Designed to be used with customer supplied cabinet doors
- Increased Depth option available

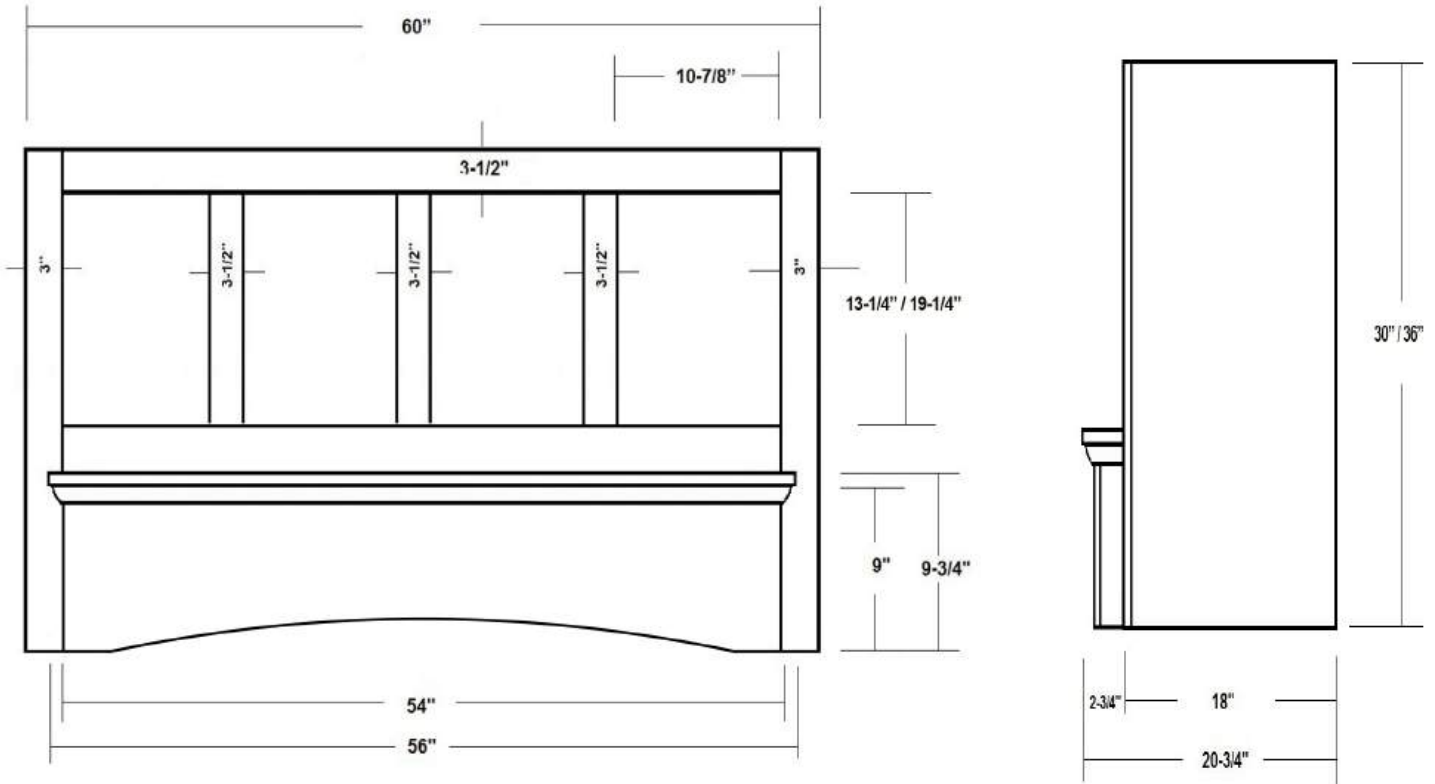




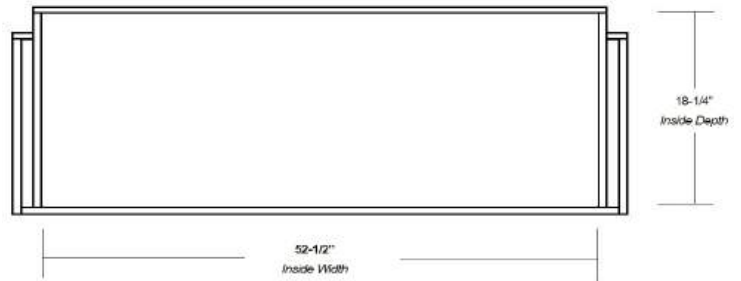
Arched Plain Valance Mantel Range Hood

Front View

Side View



Item #	Dimensions (h) x (w) x (d)	Liner	Liner
WMHAP6030	30" x 60" x 20-3/4"	HLB48	HLZ48
WMHAP6036	36" x 60" x 20-3/4"	HLB48	HLZ48



- Hardwood Plywood and Solid Lumber Construction
- Accepts HLB series Powder Coated or Stainless Steel Liners (*sold separately*)
- Select from 300, 400 or 600 CFM Broan Ventilation power packs (*sold separately*) or
- *Ascension 350SL, 350SS, 500SS and 620SS CFM Ventilation power packs (sold separately) or*
- *Ascension 1200 CFM Professional Ventilators (requires HLZ series Liners)*
- Available in Alder, Cherry, Hickory, Maple and Red Oak
- Designed to be used with customer supplied cabinet doors
- Increased Depth option available

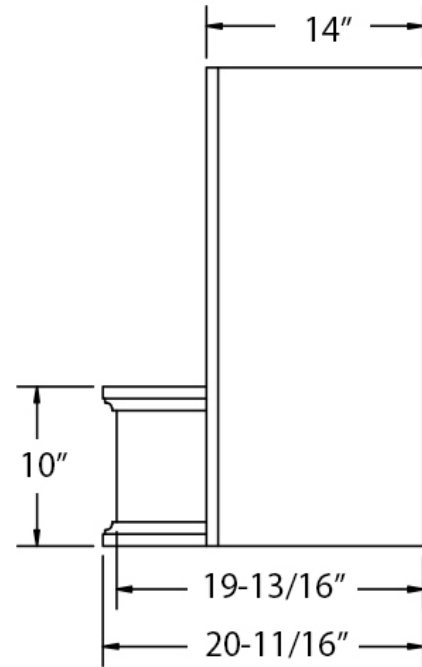
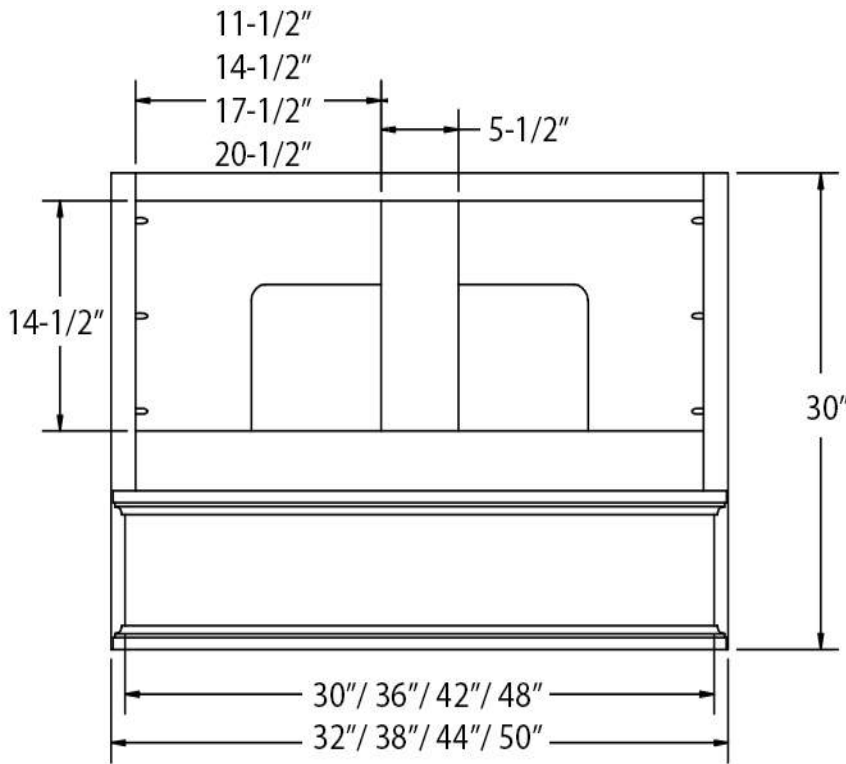


Decorative Mantel Range Hood

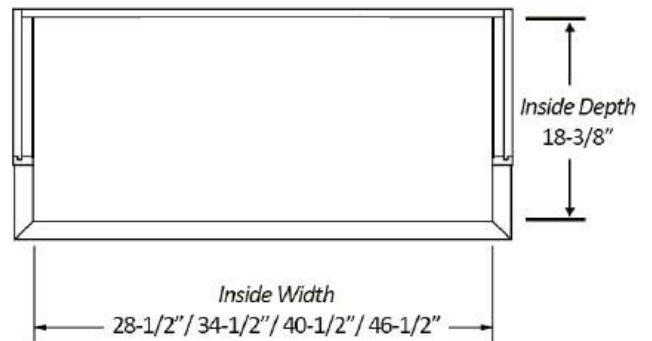


Front View

Side View



Bottom View



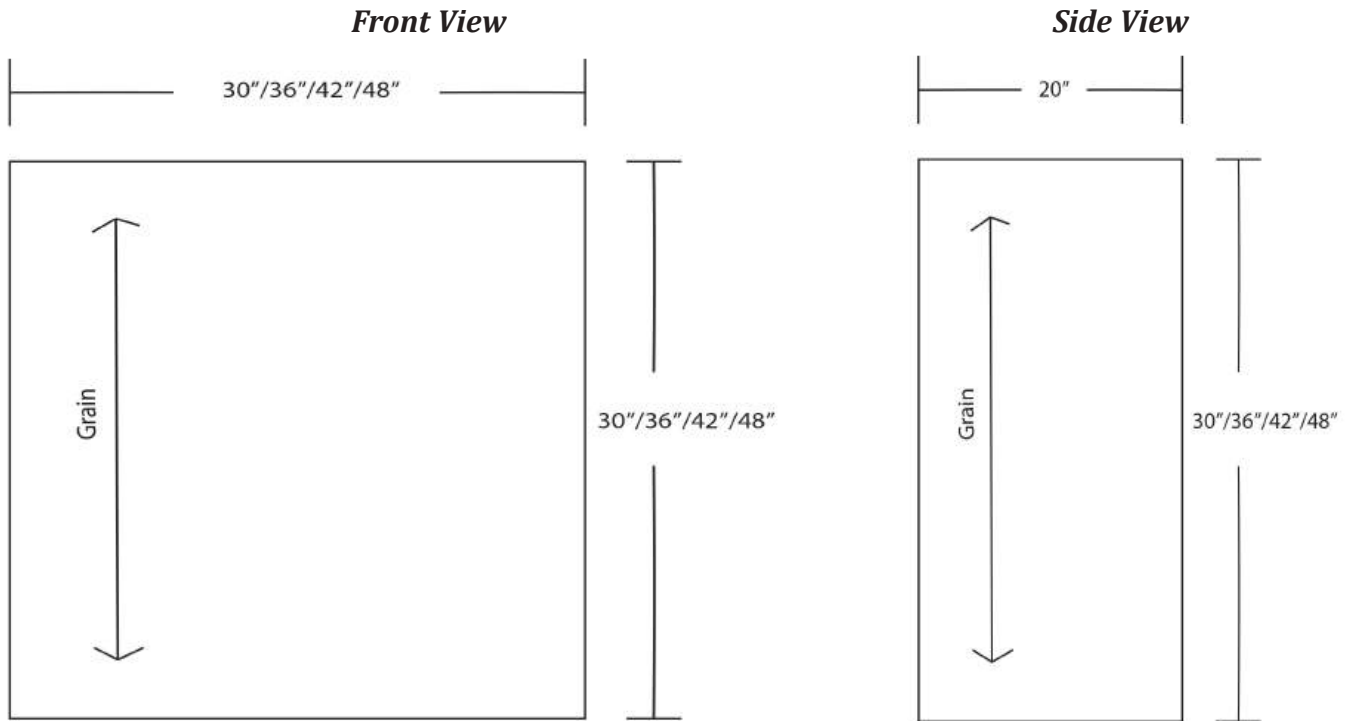
Item #	Dimensions (h) x (w) x (d)	Liner	Liner
DMH32	30" x 32" x 20-11/16"	HLB30	HLZ30
DMH38	30" x 38" x 20-11/16"	HLB36	HLZ36
DMH44	30" x 44" x 20-11/16"	HLB42	HLZ42
DMH50	30" x 50" x 20-11/16"	HLB48	HLZ48

- Hardwood Plywood and Solid Lumber Construction
- Accepts HLB series Powder Coated or Stainless Steel Liners *(sold separately)*
- Select from 300, 400 and 600 CFM Broan Ventilation power packs *(sold separately)* or
- *Ascension 350SL, 350SS, 500SS and 620SS CFM Ventilation power packs (sold separately)* or
- *30" and 36" models accept Ascension 900 CFM Professional Ventilators (requires HLZ series Liners)*
- *42" and 48" models accept Ascension 1200 CFM Professional Ventilators (requires HLZ series Liners)*
- Available in Alder, Cherry, Hickory, Maple and Red Oak
- Designed to be used with customer supplied cabinet doors
- Increased Height and Depth options available

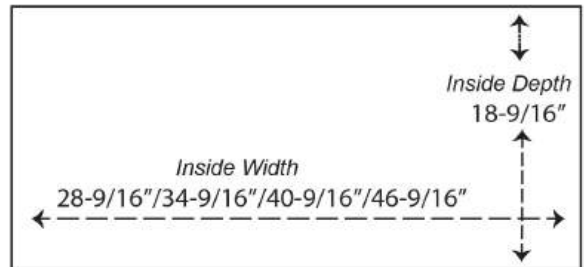




Contemporary Box Range Hood



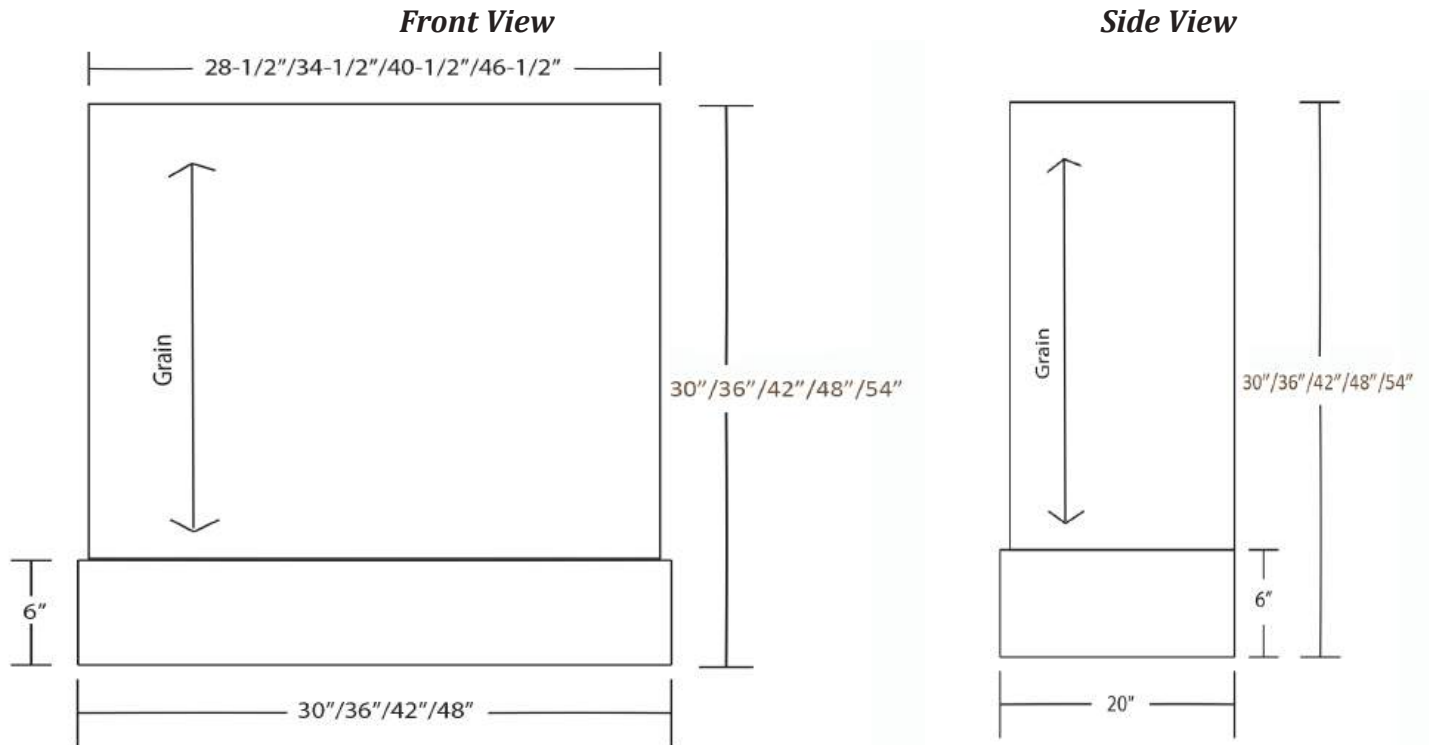
Item #	Dimensions (h) x (w) x (d)	Liner	Liner
WBXH3030	30" X 30" X 20"	HLB30	HLZ30
WBXH3630	30" X 36" X 20"	HLB36	HLZ36
WBXH4230	30" X 42" X 20"	HLB42	HLZ42
WBXH4830	30" X 48" X 20"	HLB48	HLZ48
WBXH3036	36" X 30" X 20"	HLB30	HLZ30
WBXH3636	36" X 36" X 20"	HLB36	HLZ36
WBXH4236	36" X 42" X 20"	HLB42	HLZ42
WBXH4836	36" X 48" X 20"	HLB48	HLZ48
WBXH3042	42" X 30" X 20"	HLB30	HLZ30
WBXH3642	42" X 36" X 20"	HLB36	HLZ36
WBXH4242	42" X 42" X 20"	HLB42	HLZ42
WBXH4842	42" X 48" X 20"	HLB48	HLZ48
WBXH3048	48" X 30" X 20"	HLB30	HLZ30
WBXH3648	48" X 36" X 20"	HLB36	HLZ36
WBXH4248	48" X 42" X 20"	HLB42	HLZ42
WBXH4848	48" X 48" X 20"	HLB48	HLZ48



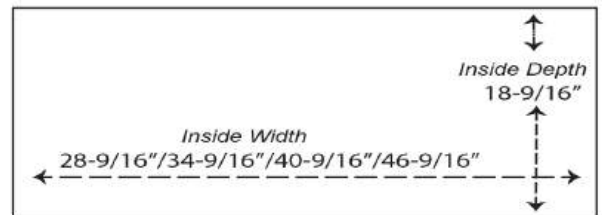
- Hardwood Plywood and Lumber Construction
- Accepts HLB series Powder Coated or Stainless Steel Liners (*sold separately*)
- Select from 300, 400 and 600 CFM Broan Ventilation power packs (*sold separately*) or
- *Ascension 350SL, 350SS, 500SS and 620SS CFM Ventilation power packs (sold separately) or*
- *30" and 36" models accept Ascension 900 CFM Professional Ventilators (requires HLZ series liners)*
- *42" and 48" models accept Ascension 1200 CFM Professional Ventilators (requires HLZ series liners)*
- Available in Alder, Cherry, Hickory, Maple, Red Oak, and White Oak
- Increased Depth option available



Detachable 2 Piece Box Range Hood



Base Item #	Dimensions (h) x (w) x (d)	Liner	Liner
WBXHDBS30	6" X 30" X 20"	HLB30	HLZ30
WBXHDBS36	6" X 36" X 20"	HLB36	HLZ36
WBXHDBS42	6" X 42" X 20"	HLB42	HLZ42
WBXHDBS48	6" X 48" X 20"	HLB48	HLZ48



Top Item #	Pair With Base #	Top Item #	Pair With Base #
WBXHDT3024	WBXHDBS30	WBXHDT4224	WBXHDBS42
WBXHDT3030	WBXHDBS30	WBXHDT4230	WBXHDBS42
WBXHDT3036	WBXHDBS30	WBXHDT4236	WBXHDBS42
WBXHDT3042	WBXHDBS30	WBXHDT4242	WBXHDBS42
WBXHDT3048	WBXHDBS30	WBXHDT4248	WBXHDBS42
WBXHDT3624	WBXHDBS36	WBXHDT4824	WBXHDBS48
WBXHDT3630	WBXHDBS36	WBXHDT4830	WBXHDBS48
WBXHDT3636	WBXHDBS36	WBXHDT4836	WBXHDBS48
WBXHDT3642	WBXHDBS36	WBXHDT4842	WBXHDBS48
WBXHDT3648	WBXHDBS36	WBXHDT4848	WBXHDBS48

- Hardwood Lumber and Plywood Construction
- Accepts HLB series Powder Coated or Stainless Steel Liners (sold separately)
- Select from 300, 400 and 600 CFM Broan Ventilation power packs (sold separately) or
- Ascension 350SL, 350SS, 500SS and 620SS CFM Ventilation power packs (sold separately) or
- 30" and 36" models accept Ascension 900 CFM Professional Ventilators (requires HLZ series liners)
- 42" and 48" models accept Ascension 1200 CFM Professional Ventilators (requires HLZ series liners)
- Available in Alder, Cherry, Hickory, Maple, Red Oak, White Oak, and Paint Grade
- Tops and Bottoms Sold Separately (SEE PRICE LIST)
- Mix and Match Species
- Shiplap Top Option available - Increased Depth option available

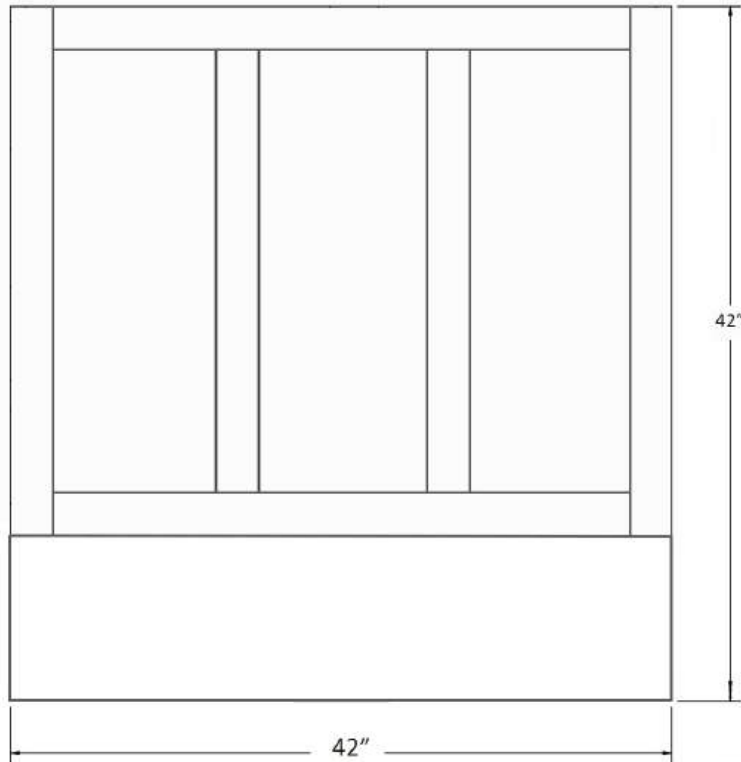
www.castlewood.com



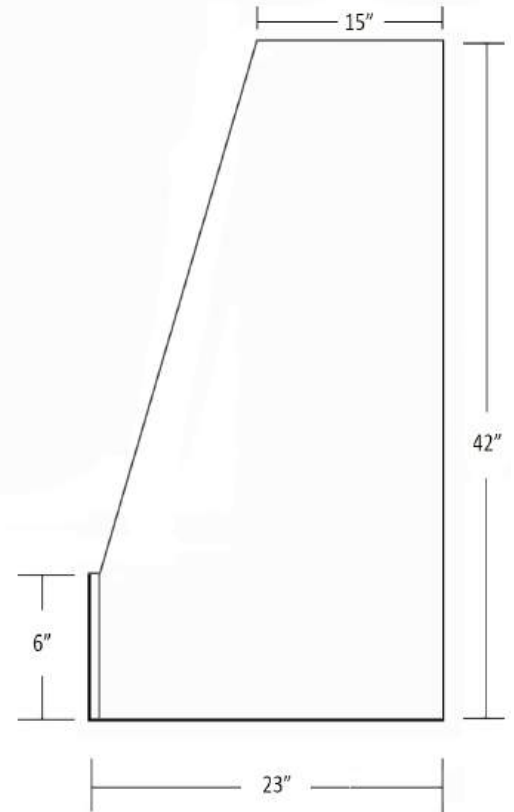


Shaker Box Range Hood

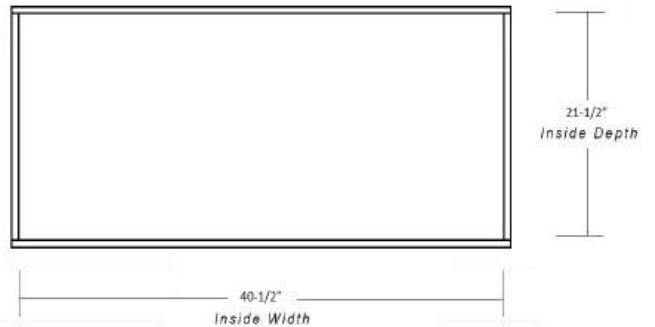
Front View



Side View



Item #	Dimensions (h) x (w) x (d)	Liner	Liner
WSBH3042	42" x 30" x 23"	HLB30	HLZ30
WSBH3642	42" x 36" x 23"	HLB36	HLZ36
WSBH4242	42" x 42" x 23"	HLB42	HLZ42
WSBH4842	42" x 48" x 23"	HLB48	HLZ48



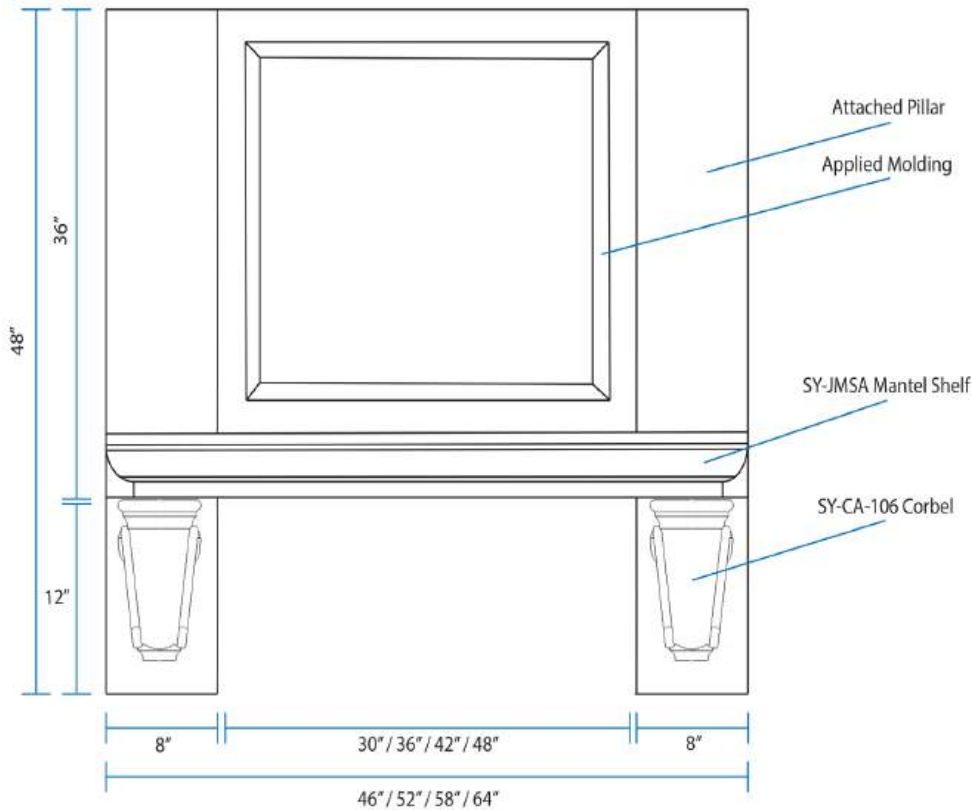
- Hardwood Plywood and Solid Lumber Construction
- Accepts HLB series Powder Coated or Stainless Steel Liners *(sold separately)*
- Select from 300, 400 and 600 CFM Broan Ventilation power packs *(sold separately)* or
- *Ascension 350SL, 350SS, 500SS and 620SS CFM Ventilation power packs (sold separately) or*
- *30" and 36" models accept Ascension 900 CFM Professional Ventilators (requires HLZ series Liners)*
- *42" and 48" models accept Ascension 1200 CFM Professional Ventilators (requires HLZ series Liners)*
- Available in Alder, Cherry, Hickory, Maple, Red Oak, and White Oak
- Increased Height and Depth options available



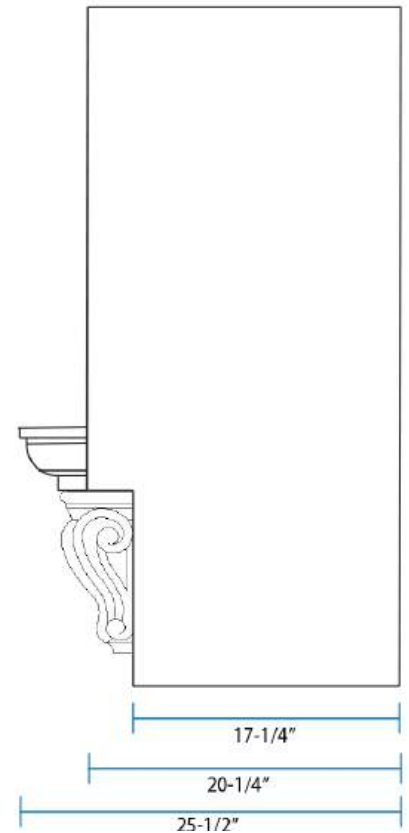
Classic Mantel Range Hood



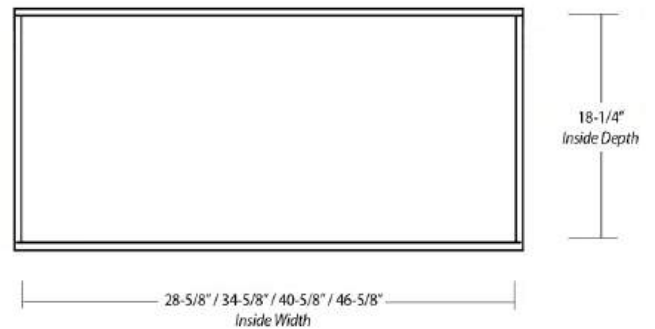
Front View



Side View



Item #	Dimensions (h) x (w) x (d)	Liner	Liner
CMH46	48" x 46" x 25-1/2"	HLB30	HLZ30
CMH52	48" x 52" x 25-1/2"	HLB36	HLZ36
CMH58	48" x 58" x 25-1/2"	HLB42	HLZ42
CMH64	48" x 64" x 25-1/2"	HLB48	HLZ48



- Hardwood Plywood and Solid Lumber Construction
- Accepts HLB series Powder Coated or Stainless Steel Liners (*sold separately*)
- Select from 300, 400 and 600 CFM Broan Ventilation power packs (*sold separately*) or
- *Ascension 350SL, 350SS, 500SS and 620SS CFM Ventilation power packs (sold separately) or*
- *30" and 36" models accept Ascension 900 CFM Professional Ventilators (requires HLZ series Liners)*
- *42" and 48" models accept Ascension 1200 CFM Professional Ventilators (requires HLZ series Liners)*
- Available in Alder, Cherry, Hickory, Maple and Red Oak
- Increased Height and Depth options available
- Alternate Corbel designs available

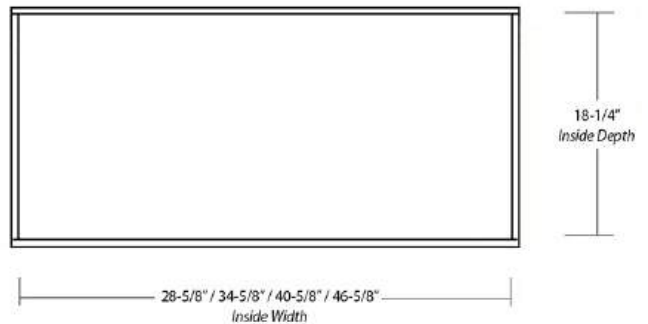
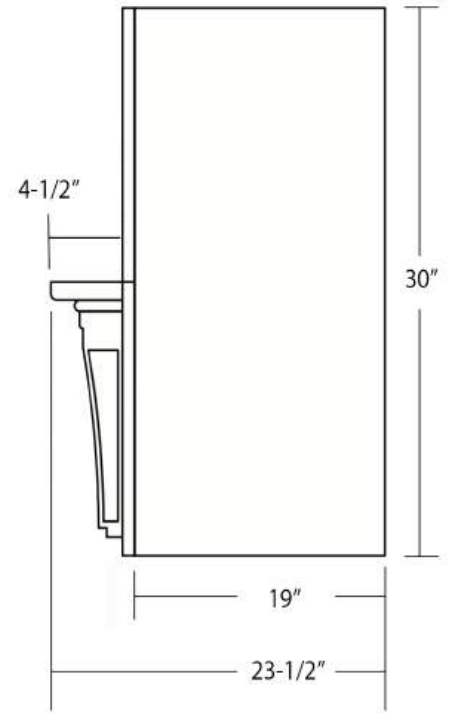
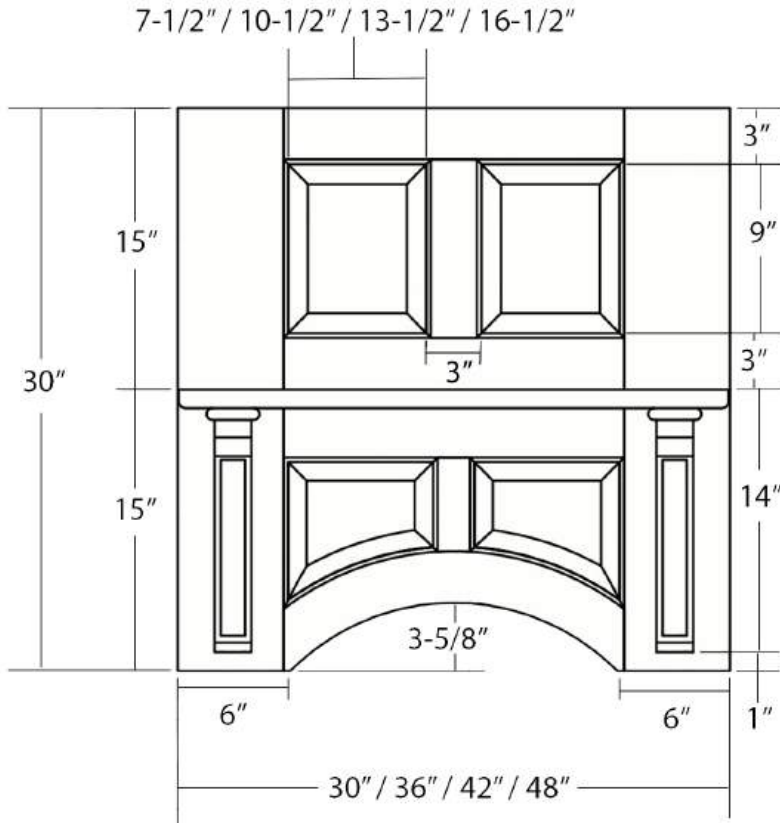




Connoisseur Mantel Range Hood

Front View

Side View



Item #	Dimensions (h) x (w) x (d)	Liner	Liner
WMDP3030	30" X 30" X 23-1/2"	HLB30	HLZ30
WMDP3630	30" X 36" X 23-1/2"	HLB36	HLZ36
WMDP4230	30" X 42" X 23-1/2"	HLB42	HLZ42
WMDP4830	30" X 48" X 23-1/2"	HLB48	HLZ48

- Hardwood Plywood and Solid Lumber Construction
- Accepts HLB series Powder Coated or Stainless Steel Liners (*sold separately*)
- Select from 250, 390 and 500 CFM Broan Ventilation power packs (*sold separately*) or
- *Ascension 350SL, 350SS and 500SS CFM Ventilation power packs (sold separately) or*
- *30" and 36" models accept Ascension 900 CFM Professional Ventilators (requires HLZ series Liners)*
- *42" and 48" models accept Ascension 1200 CFM Professional Ventilators (requires HLZ series Liners)*
- Available in Cherry, Maple and Red Oak
- Detachable front Upper Panel for easy access
- Increased Depth option available
- Alternate Corbel designs available

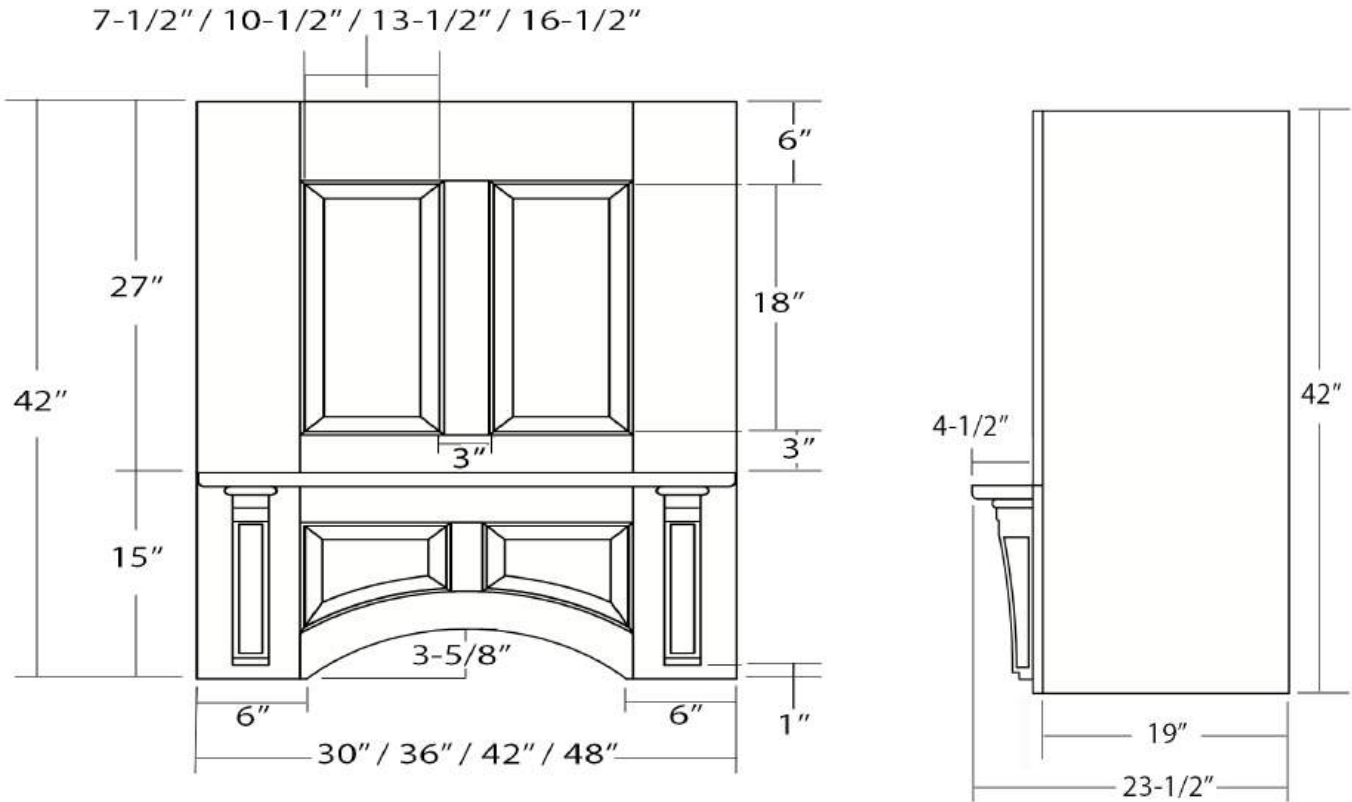


Connoisseur Mantel Range Hood

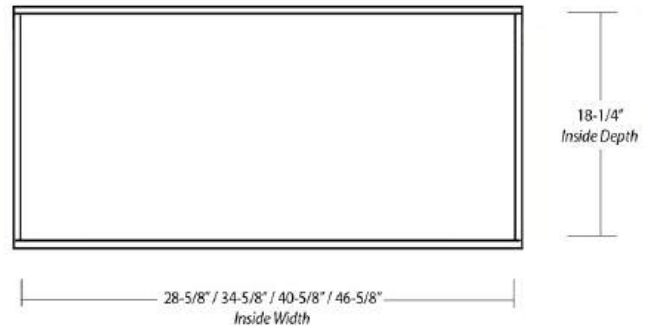


Front View

Side View



Item #	Dimensions (h) x (w) x (d)	Liner	Liner
WMDP3042	42" X 30" X 23-1/2"	HLB30	HLZ30
WMDP3642	42" X 36" X 23-1/2"	HLB36	HLZ36
WMDP4242	42" X 42" X 23-1/2"	HLB42	HLZ42
WMDP4842	42" X 48" X 23-1/2"	HLB48	HLZ48



- Hardwood Plywood and Solid Lumber Construction
- Accepts HLB series Powder Coated or Stainless Steel Liners (*sold separately*)
- Select from 300, 400 and 600 CFM Broan Ventilation power packs (*sold separately*) or
- *Ascension 350SL, 350SS, 500SS and 620SS CFM Ventilation power packs (sold separately) or*
- *30" and 36" models accept Ascension 900 CFM Professional Ventilators (requires HLZ series Liners)*
- *42" and 48" models accept Ascension 1200 CFM Professional Ventilators (requires HLZ series Liners)*
- Available in Cherry, Maple and Red Oak
- Detachable front Upper Panel for easy access
- Increased Depth option available
- Alternate Corbel designs available

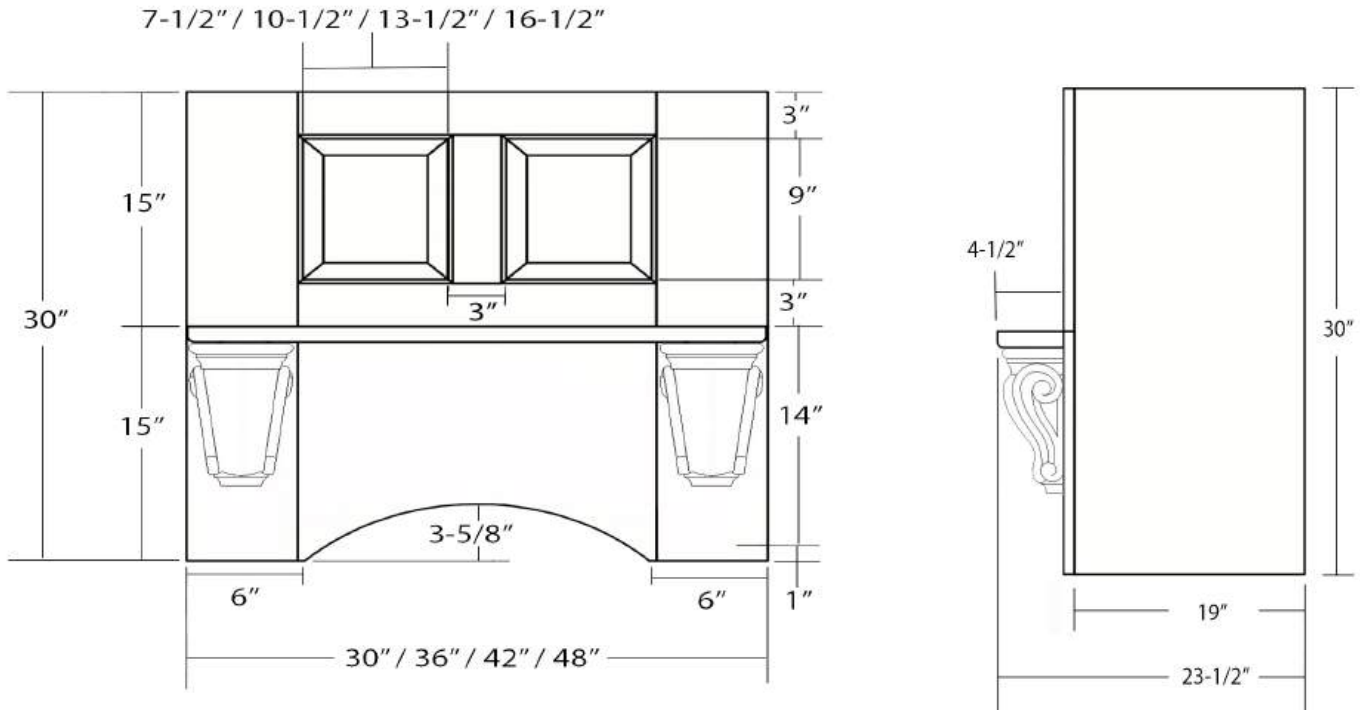




Connoisseur Classic Mantel Range Hood

Front View

Side View



Item #	Dimensions (h) x (w) x (d)	Liner	Liner
WMDPC3030	30" X 30" X 23-1/2"	HLB30	HLZ30
WMDPC3630	30" X 36" X 23-1/2"	HLB36	HLZ36
WMDPC4230	30" X 42" X 23-1/2"	HLB42	HLZ42
WMDPC4830	30" X 48" X 23-1/2"	HLB48	HLZ48



- Hardwood Plywood and Solid Lumber Construction
- Accepts HLB series Powder Coated or Stainless Steel Liners (*sold separately*)
- Select from 300, 400 and 600 CFM Broan Ventilation power packs (*sold separately*) or
- *Ascension 350SL, 350SS, 500SS and 620SS CFM Ventilation power packs (sold separately) or*
- *30" and 36" models accept Ascension 900 CFM Professional Ventilators (requires HLZ series Liners)*
- *42" and 48" models accept Ascension 1200 CFM Professional Ventilators (requires HLZ series Liners)*
- Available in Cherry, Maple and Red Oak
- Detachable front Upper Panel for easy access
- Increased Depth option available
- Alternate Corbel designs available

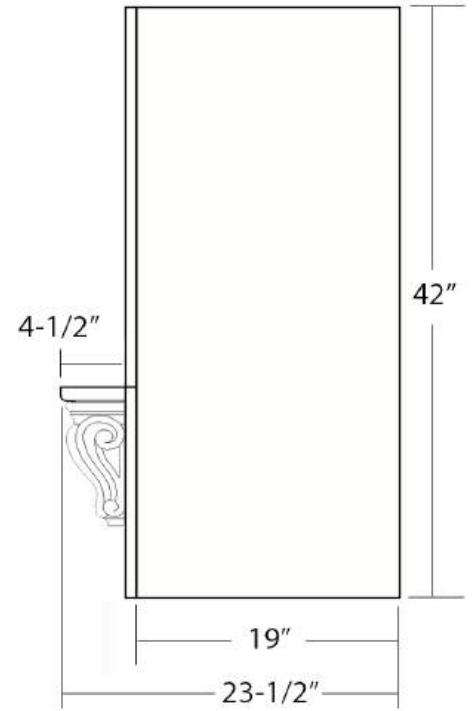
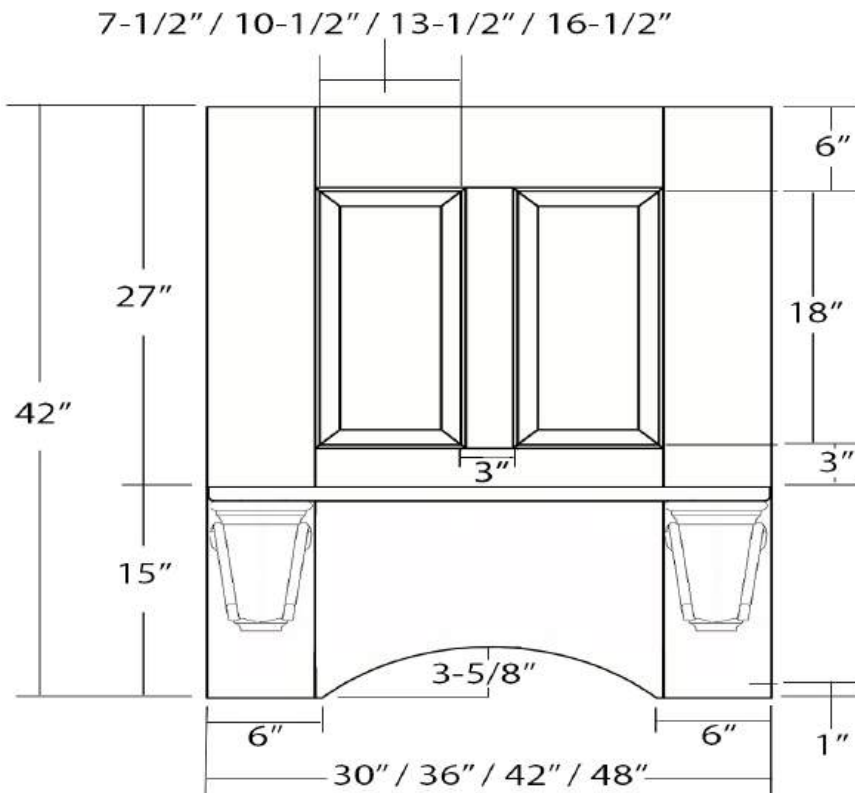


Connoisseur Classic Mantel Range Hood

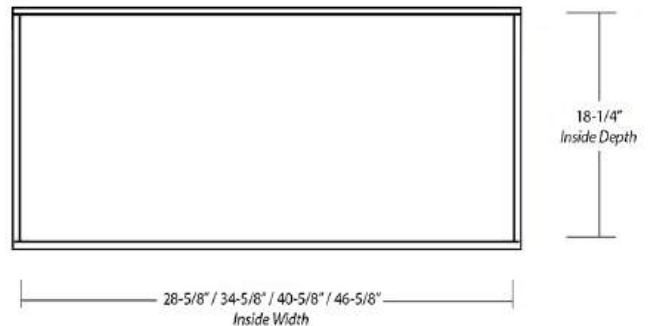


Front View

Side View



Item #	Dimensions (h) x (w) x (d)	Liner	Liner
WMDPC3042	42" X 30" X 23-1/2"	HLB30	HLZ30
WMDPC3642	42" X 36" X 23-1/2"	HLB36	HLZ36
WMDPC4242	42" X 42" X 23-1/2"	HLB42	HLZ42
WMDPC4842	42" X 48" X 23-1/2"	HLB48	HLZ48



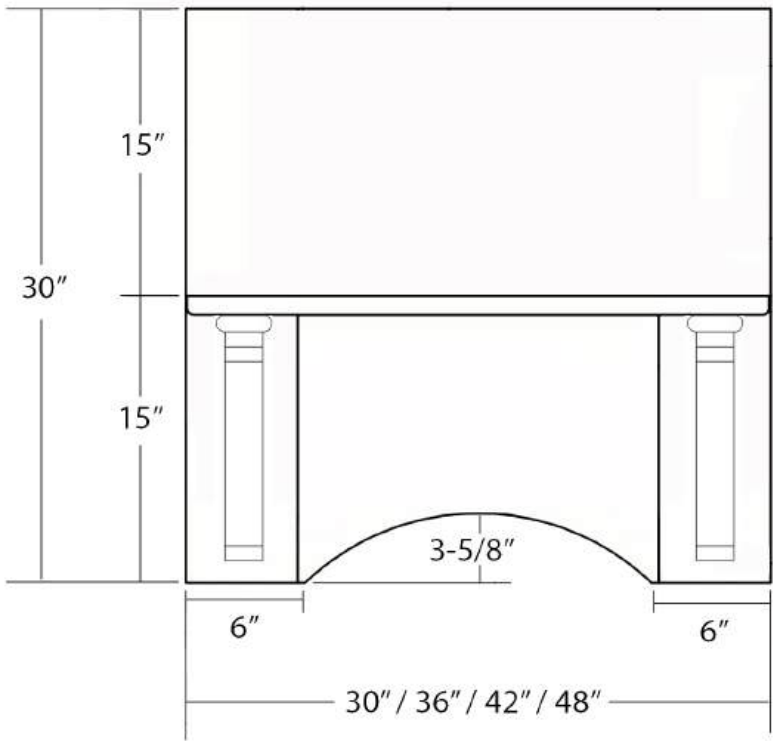
- Hardwood Plywood and Solid Lumber Construction
- Accepts HLB series Powder Coated or Stainless Steel Liners (*sold separately*)
- Select from 300, 400 and 600 CFM Broan Ventilation power packs (*sold separately*) or
- *Ascension 350SL, 350SS, 500SS and 620SS CFM Ventilation power packs (sold separately) or*
- *30" and 36" models accept Ascension 900 CFM Professional Ventilators (requires HLZ series Liners)*
- *42" and 48" models accept Ascension 1200 CFM Professional Ventilators (requires HLZ series Liners)*
- Available in Cherry, Maple and Red Oak
- Detachable front Upper Panel for easy access
- Increased Depth option available
- Alternate Corbel designs available



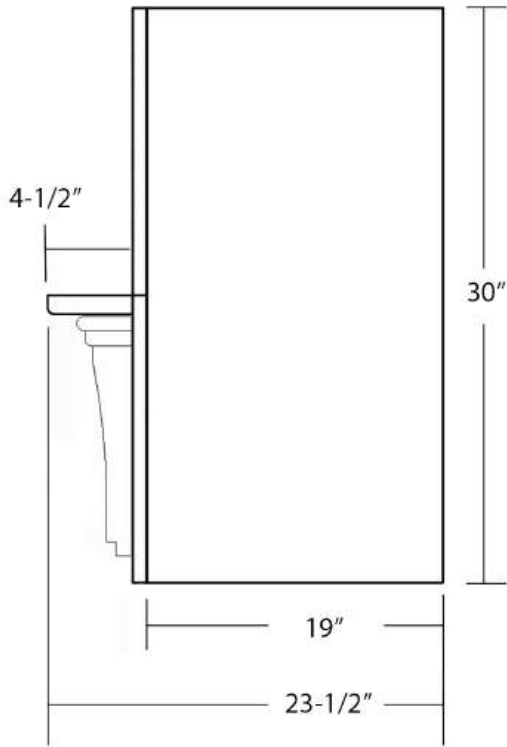


Connoisseur Shaker Mantel Range Hood

Front View



Side View



Item #	Dimensions (h) x (w) x (d)	Liner	Liner
WMDPS3030	30" X 30" X 23-1/2"	HLB30	HLZ30
WMDPS3630	30" X 36" X 23-1/2"	HLB36	HLZ36
WMDPS4230	30" X 42" X 23-1/2"	HLB42	HLZ42
WMDPS4830	30" X 48" X 23-1/2"	HLB48	HLZ48



- Hardwood Plywood and Solid Lumber Construction
- Accepts HLB series Powder Coated or Stainless Steel Liners (*sold separately*)
- Select from 3000, 400 and 600 CFM Broan Ventilation power packs (*sold separately*) or
- *Ascension 350SL, 350SS, 500SS and 620SS CFM Ventilation power packs (sold separately) or*
- *30" and 36" models accept Ascension 900 CFM Professional Ventilators (requires HLZ series Liners)*
- *42" and 48" models accept Ascension 1200 CFM Professional Ventilators (requires HLZ series Liners)*
- Available in Cherry, Maple and Red Oak
- Detachable front Upper Panel for easy access
- Increased Depth option available
- Alternate Corbel designs available

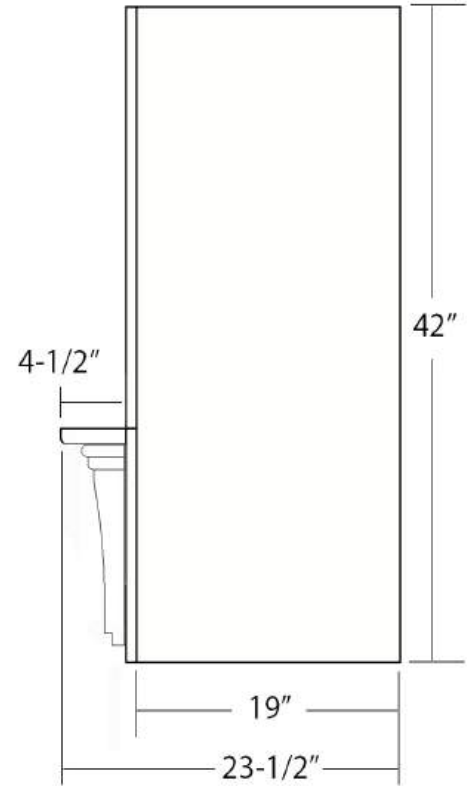
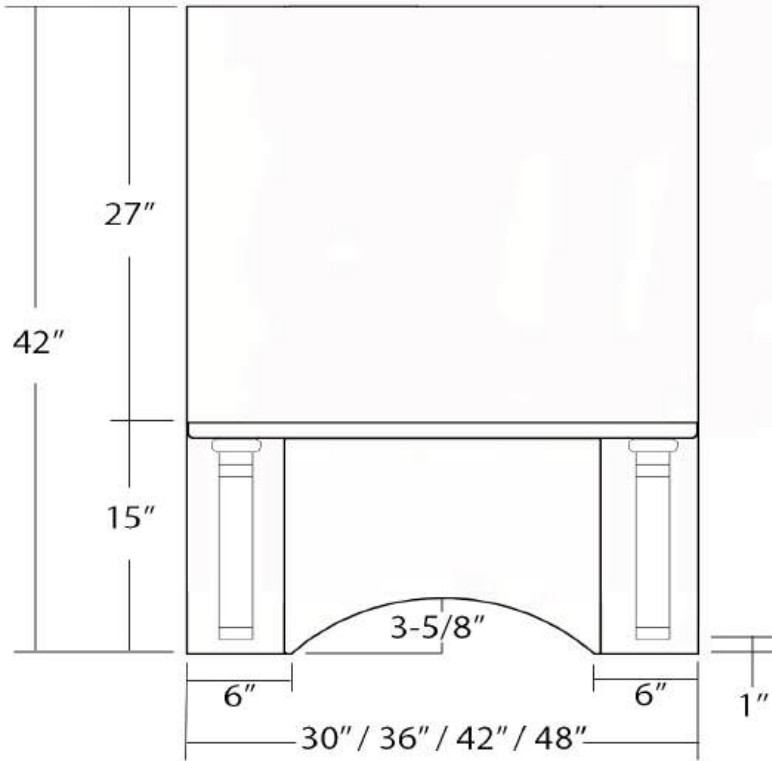


Connoisseur Shaker Mantel Range Hood

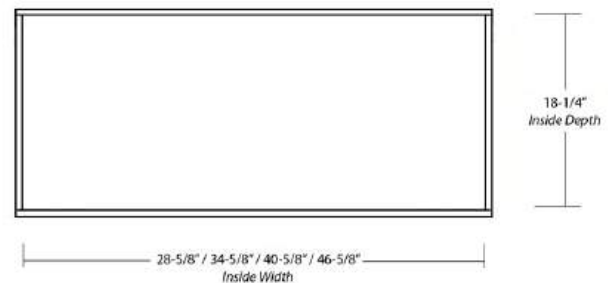


Front View

Side View



Item #	Dimensions (h) x (w) x (d)	Liner	Liner
WMDPS3042	42" X 30" X 23-1/2"	HLB30	HLZ30
WMDPS3642	42" X 36" X 23-1/2"	HLB36	HLZ36
WMDPS4242	42" X 42" X 23-1/2"	HLB42	HLZ42
WMDPS4842	42" X 48" X 23-1/2"	HLB48	HLZ48

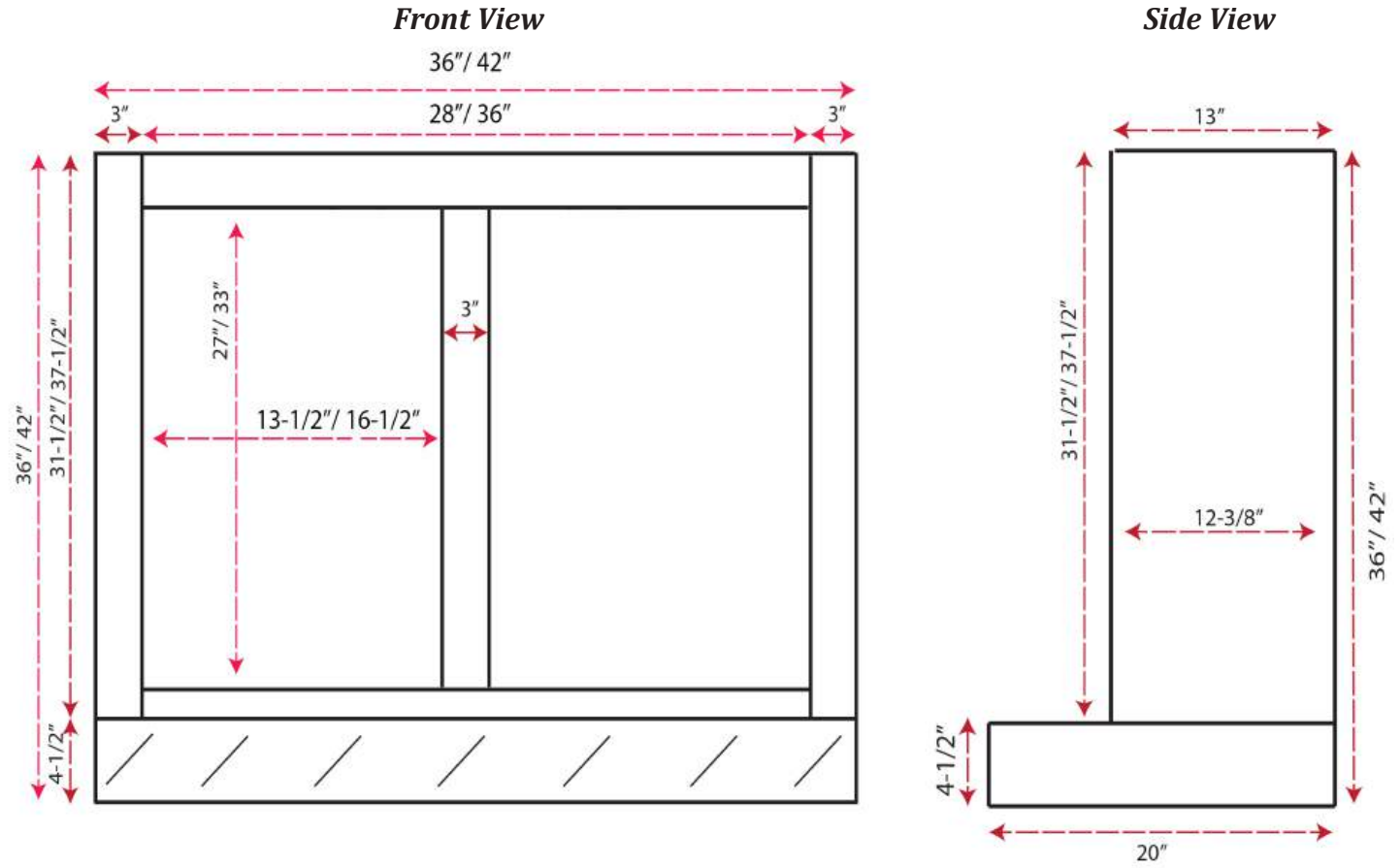


- Hardwood Plywood and Solid Lumber Construction
- Accepts HLB series Powder Coated or Stainless Steel Liners (*sold separately*)
- Select from 3000, 400 and 600 CFM Broan Ventilation power packs (*sold separately*) or
- *Ascension 350SL, 350SS, 500SS and 620SS CFM Ventilation power packs (sold separately) or*
- *30" and 36" models accept Ascension 900 CFM Professional Ventilators (requires HLZ series Liners)*
- *42" and 48" models accept Ascension 1200 CFM Professional Ventilators (requires HLZ series Liners)*
- Available in Cherry, Maple and Red Oak
- Detachable front Upper Panel for easy access
- Increased Depth option available
- Alternate Corbel designs available

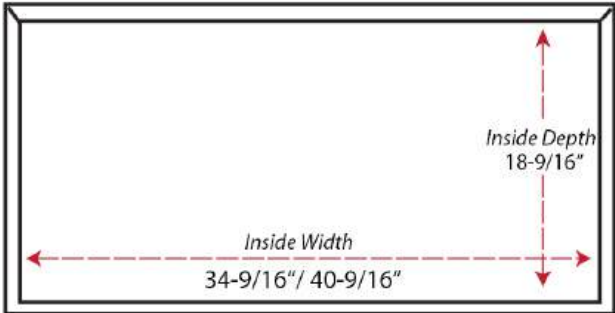




Contemporary Mantel Range Hood



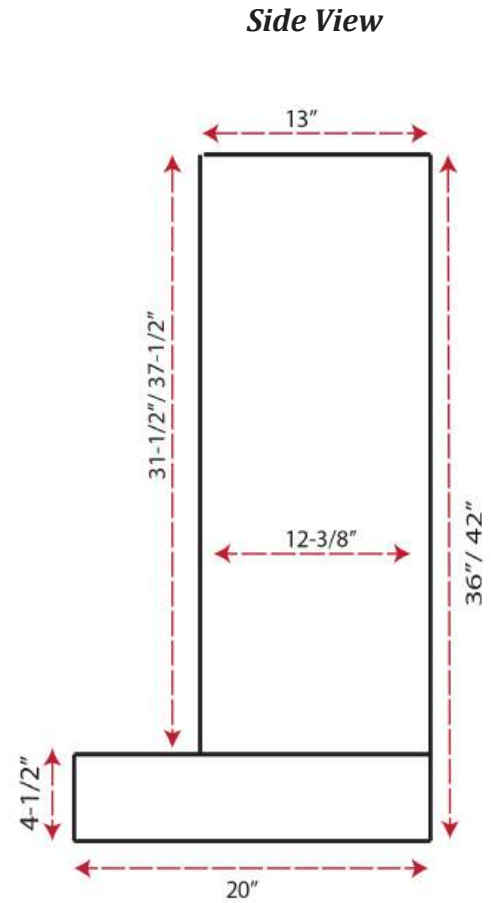
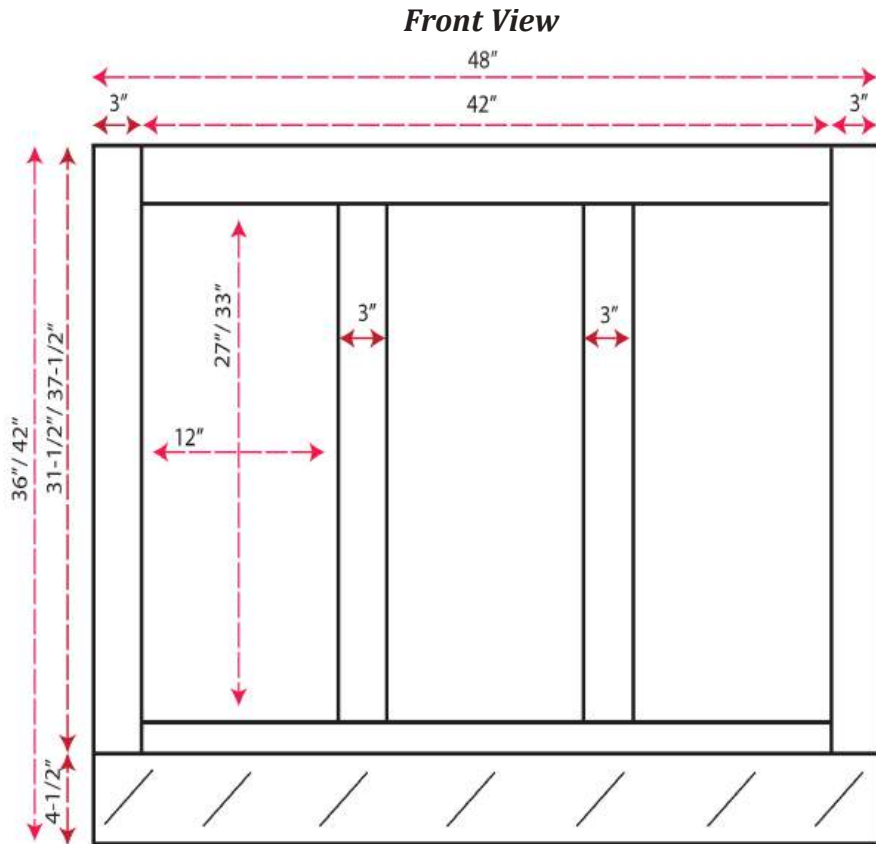
Item #	Dimensions (h) x (w) x (d)	Liner	Liner
WMC3636	36" x 36" x 20"	HLB36	HLZ36
WMC3642	42" x 36" x 20"	HLB36	HLZ36
WMC4236	36" x 42" x 20"	HLB42	HLZ42
WMC4242	42" x 42" x 20"	HLB42	HLZ42



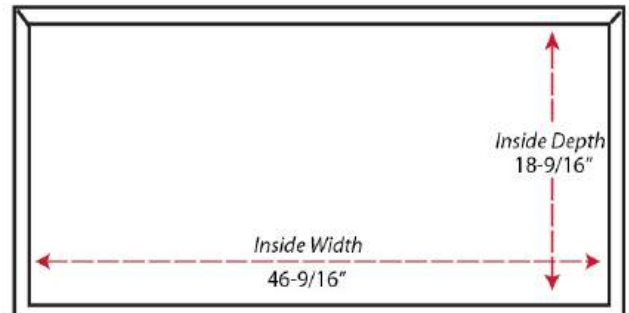
- Hardwood Plywood and Solid Lumber Construction
- Accepts HLB series Powder Coated or Stainless Steel Liners (*sold separately*)
- Select from 300, 400 and 600 CFM Broan Ventilation power packs (*sold separately*) or *Ascension 350SL, 350SS, 500SS and 620SS CFM Ventilation power packs (sold separately)*
- Available in Alder, Cherry, Hickory, Maple and Red Oak
- Designed to be used with customer supplied cabinet doors
- Increased Depth option available



Contemporary Mantel Range Hood



Item #	Dimensions (h) x (w) x (d)	Liner	Liner
WMC4836	36" x 48" x 20"	HLB48	HLZ48
WMC4842	42" x 48" x 20"	HLB48	HLZ48



- Hardwood Plywood and Solid Lumber Construction
- Accepts HLB series Powder Coated or Stainless Steel Liners (*sold separately*)
- Select from 300, 400 and 600 CFM Broan Ventilation power packs (*sold separately*) or *Ascension 350SL, 350SS, 500SS and 620SS CFM Ventilation power packs (sold separately)*
- Available in Alder, Cherry, Hickory, Maple and Red Oak
- Designed to be used with customer supplied cabinet doors
- Increased Depth option available

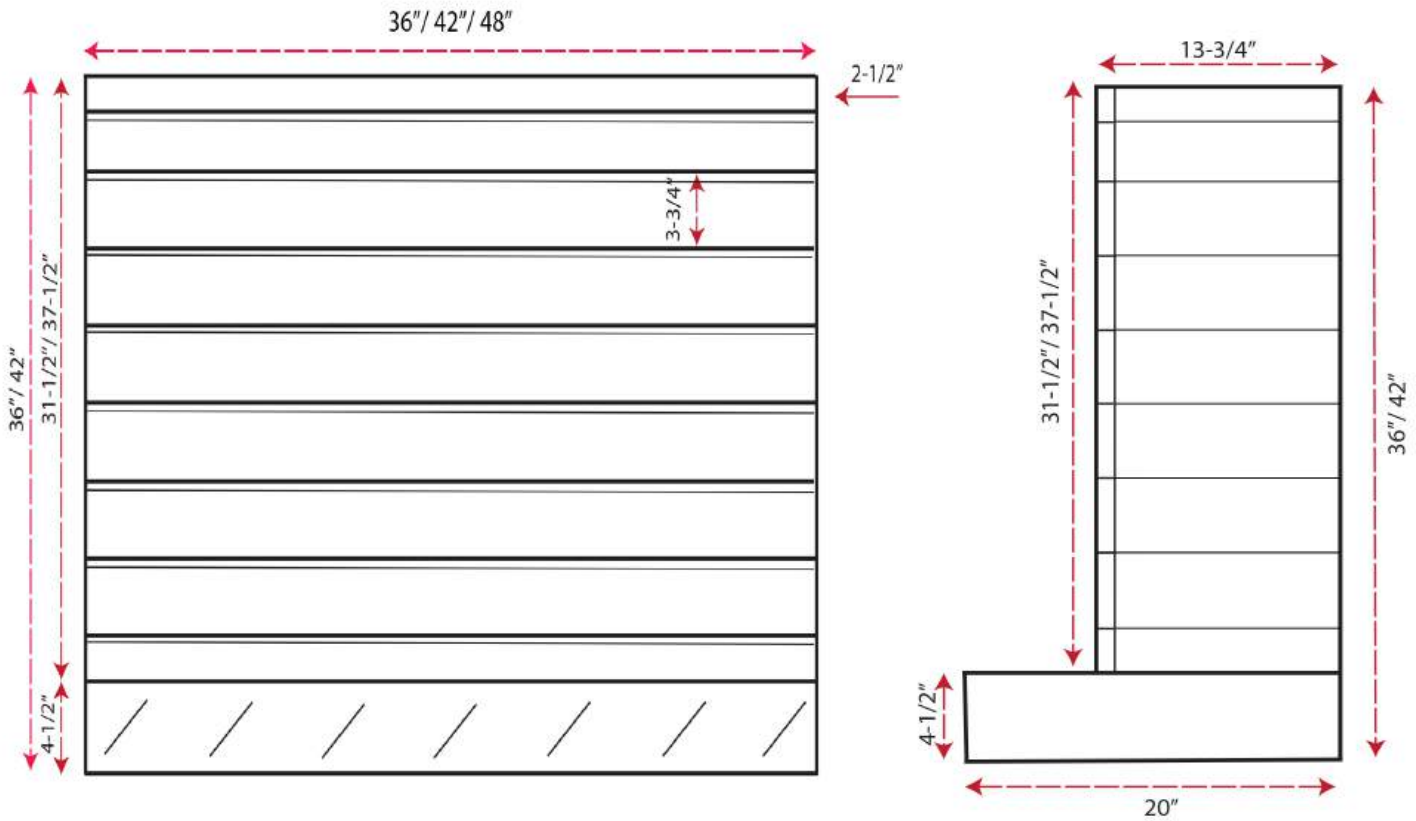




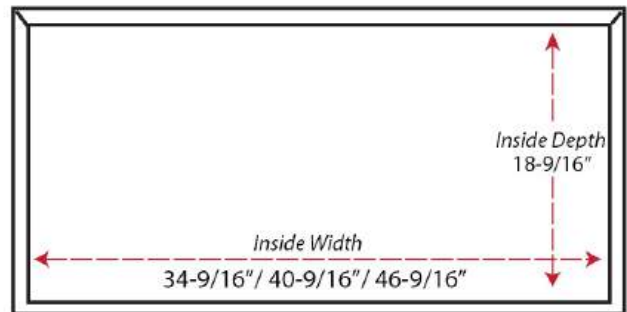
Shiplap Mantel Range Hood

Front View

Side View



Item #	Dimensions (h) x (w) x (d)	Liner
WMSL3636	36" x 36" x 20"	HLB36
WMSL3642	42" x 36" x 20"	HLB36
WMSL4236	36" x 42" x 20"	HLB42
WMSL4242	42" x 42" x 20"	HLB42
WMSL4836	36" x 48" x 20"	HLB48
WMSL4842	42" x 48" x 20"	HLB48



- Hardwood Plywood and Solid Lumber Construction
- Accepts HLB series Powder Coated or Stainless Steel Liners (*sold separately*)
- Select from 300, 400 and 600 CFM Broan Ventilation power packs (*sold separately*) or
- *Ascension 350SL, 350SS, 500SS and 620SS CFM Ventilation power packs (sold separately)*
- Available in Alder, Cherry, Hickory, Maple, Red Oak, and White Oak
- Detachable Front Panel for easy access
- Increased Depth option available

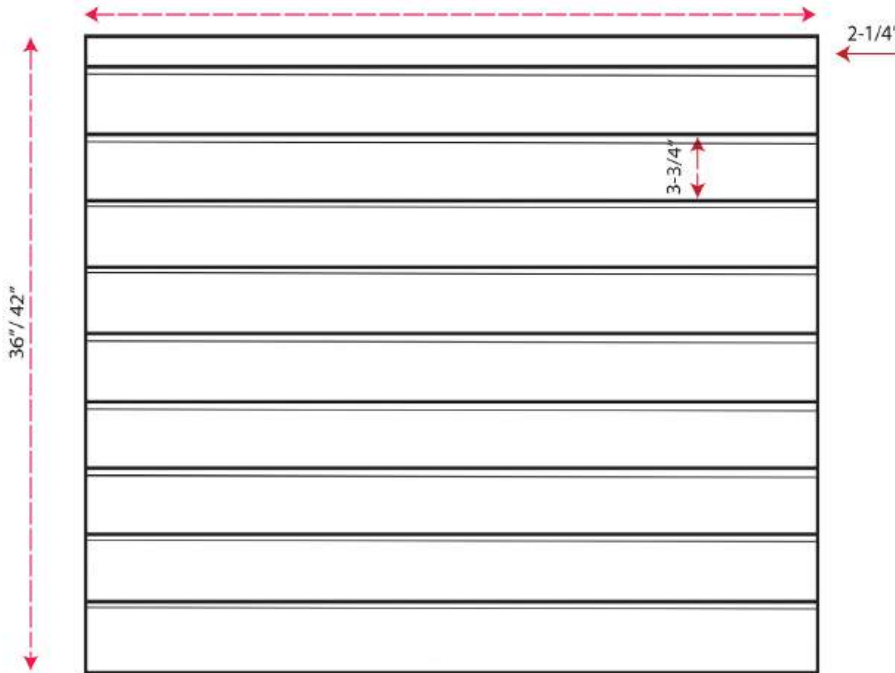


Shiplap Box Range Hood

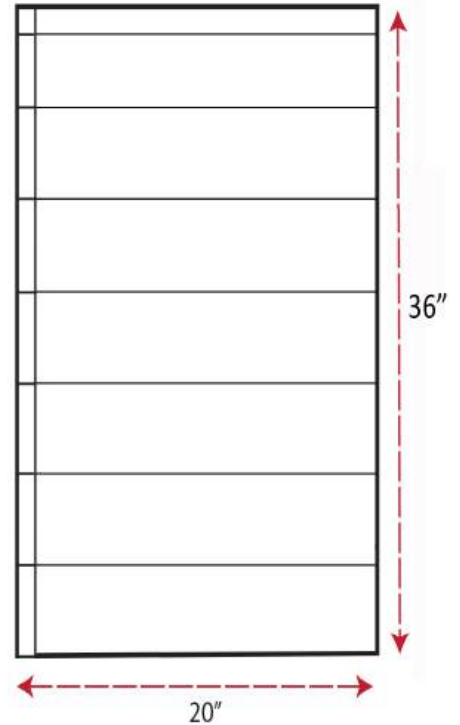


Front View

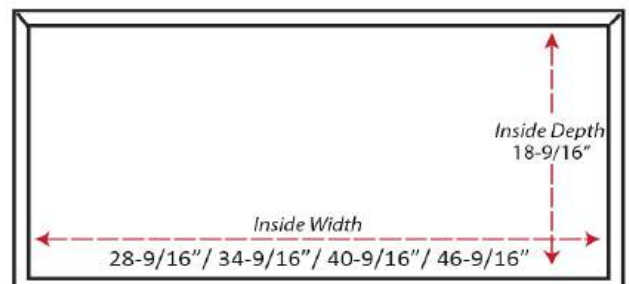
30"/36"/42"/48"



Side View



Item #	Dimensions (h) x (w) x (d)	Liner	Liner
WSLB3036	36" x 30" x 20"	HLB30	HLZ30
WSLB3042	42" x 30" x 20"	HLB30	HLZ30
WSLB3636	36" x 36" x 20"	HLB36	HLZ36
WSLB3642	42" x 36" x 20"	HLB36	HLZ36
WSLB4236	36" x 42" x 20"	HLB42	HLZ42
WSLB4242	42" x 42" x 20"	HLB42	HLZ42
WSLB4836	36" x 48" x 20"	HLB48	HLZ48
WSLB4842	42" x 48" x 20"	HLB48	HLZ48



- Solid Lumber Construction
- Accepts HLB series Powder Coated or Stainless Steel Liners (*sold separately*)
- Select from 300, 400 and 600 CFM Broan Ventilation power packs (*sold separately*) or
- Ascension 350SL, 350SS, 500SS and 620SS CFM Ventilation power packs (*sold separately*) or
- 30" and 36" models accept Ascension 900 CFM Professional Ventilators (*requires HLZ series liners*)
- 42" and 48" models accept Ascension 1200 CFM Professional Ventilators (*requires HLZ series liners*)
- Available in Alder, Cherry, Hickory, Maple, Red Oak, and White Oak
- Detachable Front Panel for easy access
- Increased Depth option available

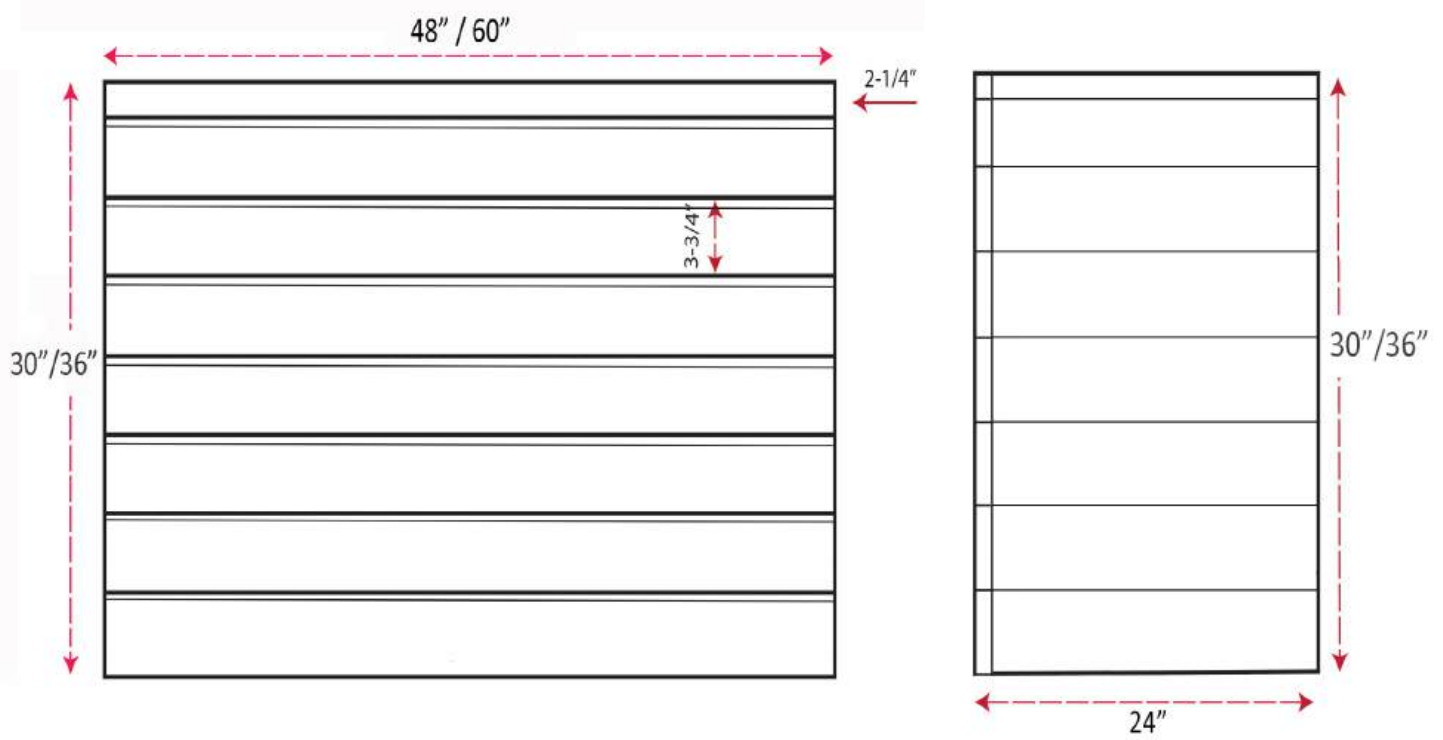




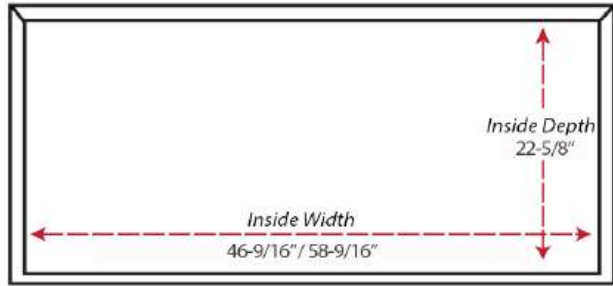
Shiplap Box Range Hood w/Extra Depth

Front View

Side View



Item #	Dimensions (h) x (w) x (d)	Liner	Liner
WSLBL4830	30" x 48" x 24"	N/A	N/A
WSLBL4836	36" x 48" x 24"	N/A	N/A
WSLBL6030	30" x 60" x 24"	N/A	N/A
WSLBL6036	36" x 60" x 24"	N/A	N/A



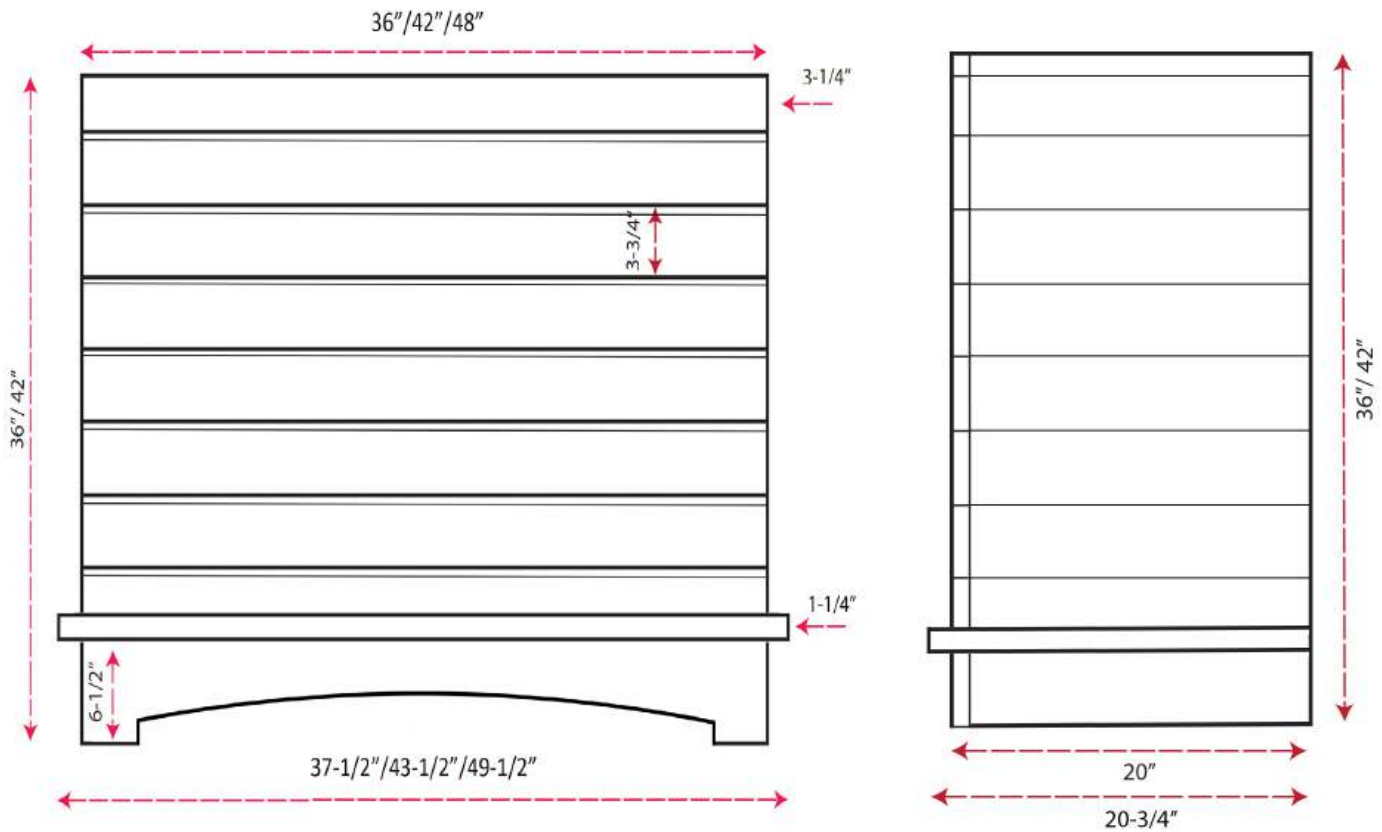
- Solid Lumber Construction
- This model is designed to use large ventilation units that are not available thru Castlewood
- To utilize Castlewood ventilation units, these hoods will need to be blocked up inside for custom fit
- Available in Alder, Cherry, Hickory, Maple, Red Oak, and White Oak
- Detachable Front Panel for easy access

Shiplap Arched Box Range Hood

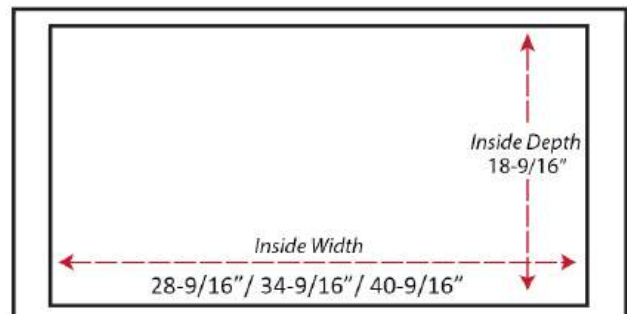


Front View

Side View



Item #	Dimensions (h) x (w) x (d)	Liner	Liner
WSLBA3636	36" X 36" X 20"	HLB36	HLZ36
WSLBA3642	42" X 36" X 20"	HLB36	HLZ36
WSLBA4236	36" X 42" X 20"	HLB42	HLZ42
WSLBA4242	42" X 42" X 20"	HLB42	HLZ42
WSLBA4836	36" X 48" X 20"	HLB48	HLZ48
WSLBA4842	42" X 48" X 20"	HLB48	HLZ48

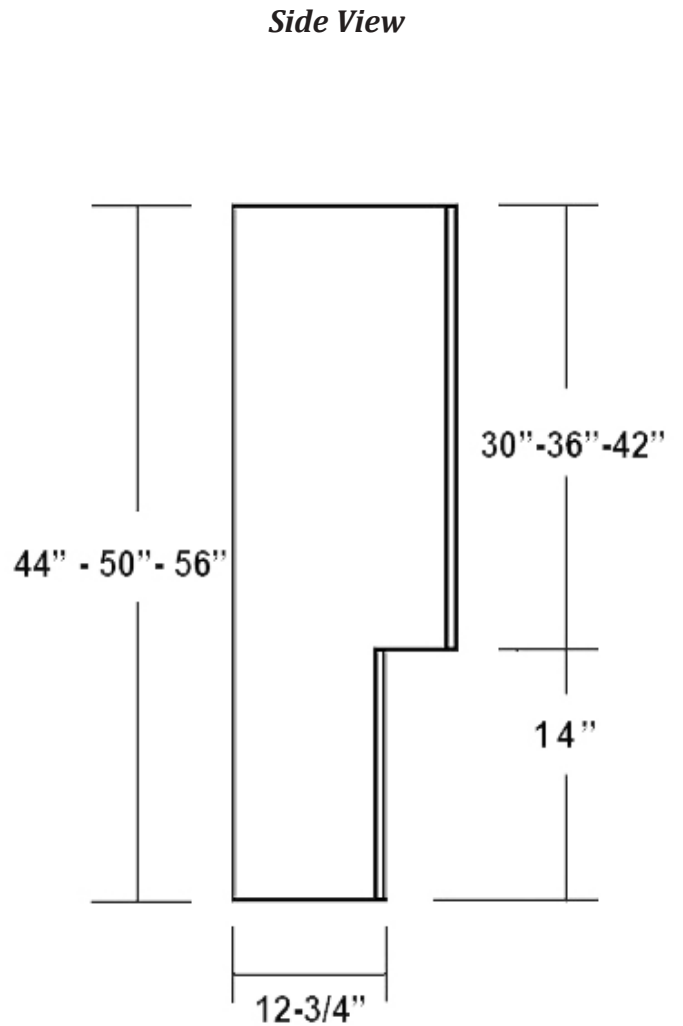
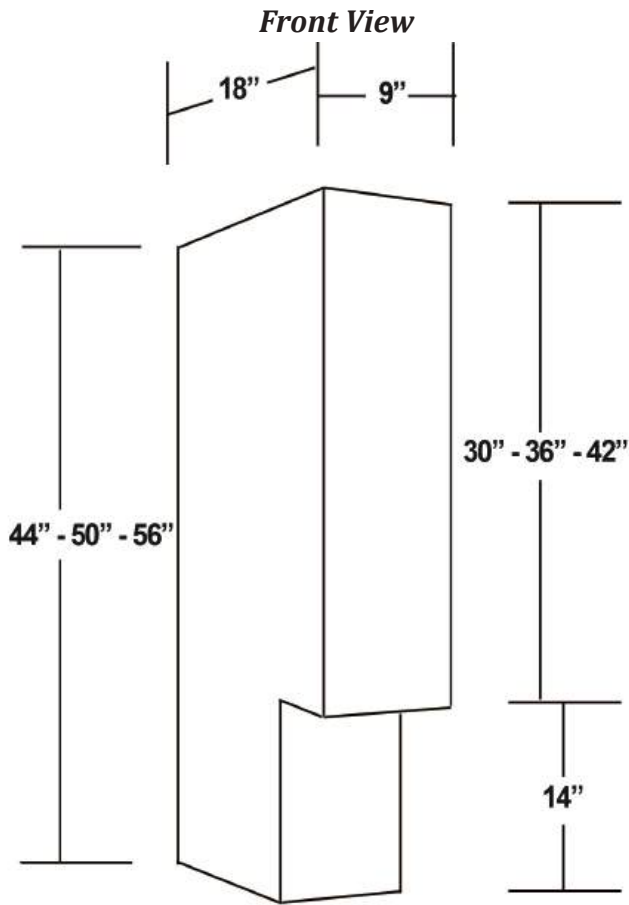


- Solid Lumber Construction
- Front panel removable for easy access
- Accepts HLB series Powder Coated or Stainless Steel Liners (*sold separately*)
- Select from 3000, 400 and 600 CFM Broan Ventilation power packs (*sold separately*) or
- *Ascension 350SL, 350SS, 500SS and 620SS CFM Ventilation power packs (sold separately) or*
- *36" models accept Ascension 900 CFM Professional Ventilators (requires HLZ series liners)*
- *42" and 48" models accept Ascension 1200 CFM Professional Ventilators (requires HLZ series liners)*
- Available in Alder, Cherry, Hickory, Maple, Red Oak, and White Oak
- Optional Trim Kit available (*lower molding, as shown above*)
- Increased Depth option available

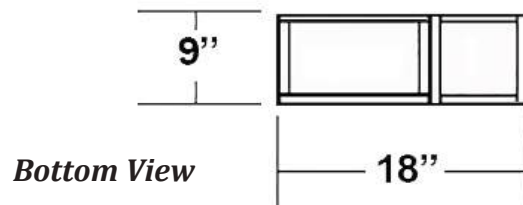




Flat Panel Mantel Hood Pillars



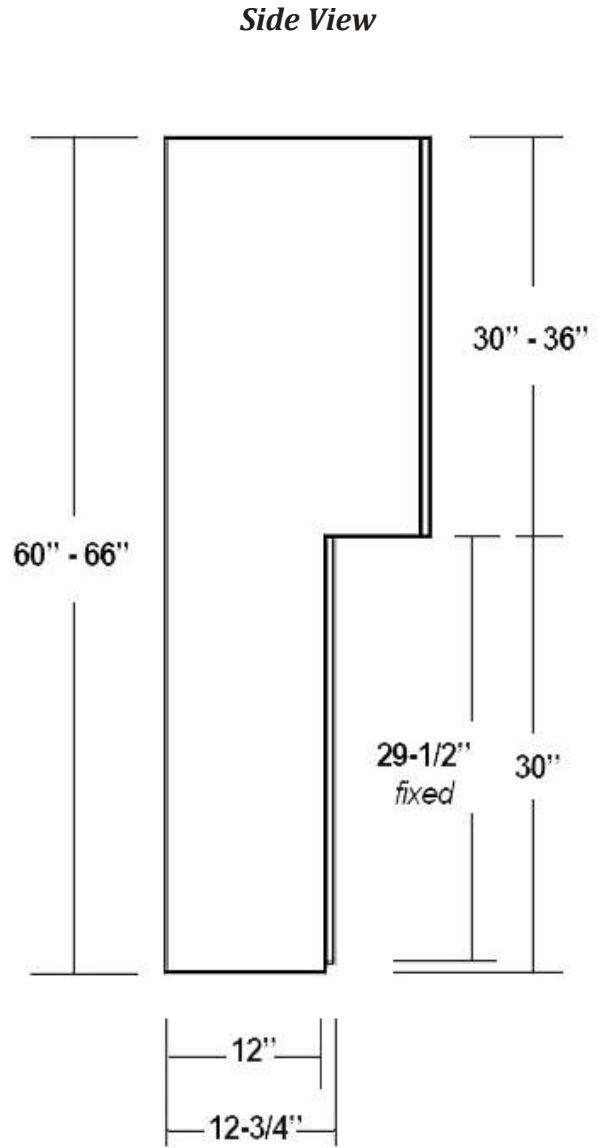
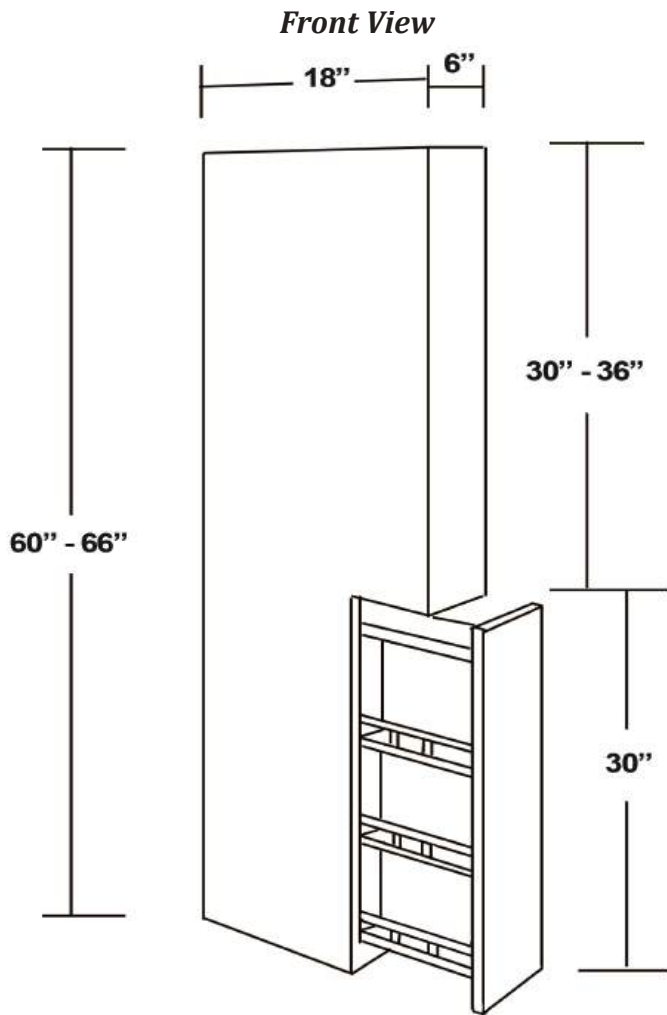
Item #	Dimensions (h) x (w) x (d)
FPP944	44" x 9" x 18"
FPP950	50" x 9" x 18"
FPP956	56" x 9" x 18"



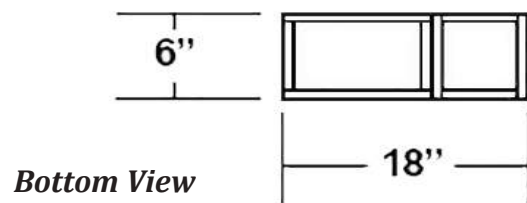
- Hardwood Plywood and Solid Lumber Construction
- Top and bottom recessed for frame mounting
- Sold in pairs
- For use on both sides of Castlewood Mantel Range Hoods and Fronts
- Available in Alder, Cherry, Hickory, Maple and Red Oak



Flat Panel Mantel Pillars with Pullouts



Item #	Dimensions (h) x (w) x (d)
FPP660	60" x 6" x 18"
FPP666	66" x 6" x 18"



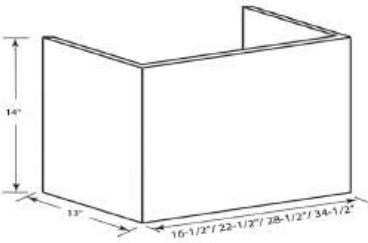
- Hardwood Plywood and Solid Lumber Construction
- Sold in pairs
- Includes 3 Shelf Spice Pullout with Ball Bearing Slides
- For use on both sides of Castlewood Mantel Range Hoods and Fronts
- Available in Alder, Cherry, Hickory, Maple and Red Oak



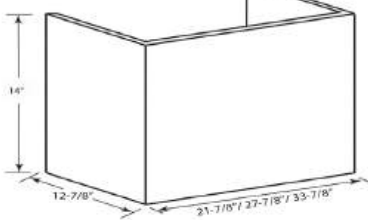


Chimney Extensions

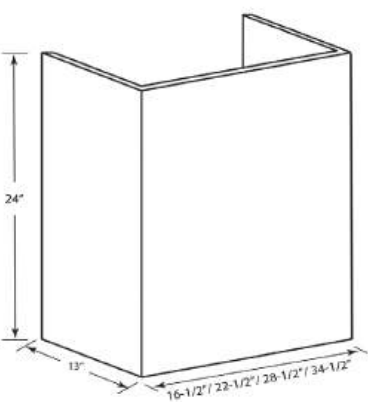
WCHXS



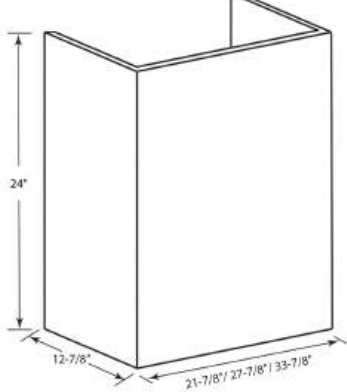
WCHXSE



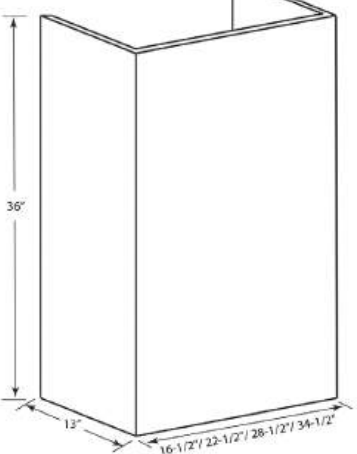
WCHX



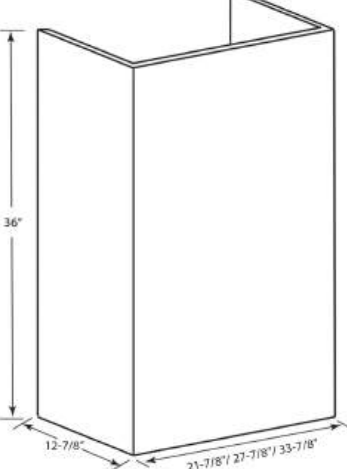
WCHXE



WCHXL



WCHXLE



Item #	Dimensions (h) x (w) x (d)	Fits These Models
WCHX30	24" x 16-1/2" x 13"	WCH30, WCHAP30, WCHAC30, WCHAS30
WCHX36	24" x 22-1/2" x 13"	WCH36, WCHAP36, WCHAC36, WCHAS36
WCHX42	24" x 28-1/2" x 13"	WCH42, WCHAP42, WCHAC42, WCHAS42
WCHX48	24" x 34-1/2" x 13"	WCH48, WCHAP48, WCHAC48, WCHAS48
WCHXE36	24" x 21-7/8" x 12-7/8"	WCVS36, WCVH36, WCVA36, WCVAC36
WCHXE42	24" x 27-7/8" x 12-7/8"	WCVS42, WCVH42, WCVA42, WCVAC42
WCHXE48	24" x 33-7/8" x 12-7/8"	WCVS48, WCVH48, WCVA48, WCVAC48
WCHXL30	36" x 16-1/2" x 13"	WCH30, WCHAP30, WCHAC30, WCHAS30
WCHXL36	36" x 22-1/2" x 13"	WCH36, WCHAP36, WCHAC36, WCHAS36
WCHXL42	36" x 28-1/2" x 13"	WCH42, WCHAP42, WCHAC42, WCHAS42
WCHXL48	36" x 34-1/2" x 13"	WCH48, WCHAP48, WCHAC48, WCHAS48
WCHXLE36	36" x 21-7/8" x 12-7/8"	WCVS36, WCVH36, WCVA36, WCVAC36
WCHXLE42	36" x 27-7/8" x 12-7/8"	WCVS42, WCVH42, WCVA42, WCVAC42
WCHXLE48	36" x 33-7/8" x 12-7/8"	WCVS48, WCVH48, WCVA48, WCVAC48
WCHXS30	14" x 16-1/2" x 13"	WCH30, WCHAP30, WCHAC30, WCHAS30
WCHXS36	14" x 22-1/2" x 13"	WCH36, WCHAP36, WCHAC36, WCHAS36
WCHXS42	14" x 28-1/2" x 13"	WCH42, WCHAP42, WCHAC42, WCHAS42
WCHXS48	14" x 34-1/2" x 13"	WCH48, WCHAP48, WCHAC48, WCHAS48
WCHXSE36	14" x 21-7/8" x 12-7/8"	WCVS36, WCVH36, WCVA36, WCVAC36
WCHXSE42	14" x 27-7/8" x 12-7/8"	WCVS42, WCVH42, WCVA42, WCVAC42
WCHXSE48	14" x 33-7/8" x 12-7/8"	WCVS48, WCVH48, WCVA48, WCVAC48

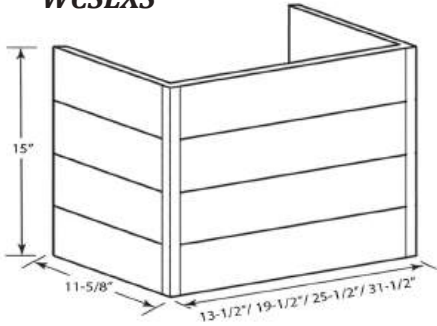
- Hardwood Plywood and Solid Lumber Construction
- Internal bracing with cleats, glue and pocket screws
- Epicurean, Epicurean Arch, Epicurean Elite and Gourmet range hoods **do not** include chimney extensions (*a trim kit is required if extension is to be added to the Epicurean series hoods*)
- Available in Alder, Cherry, Hickory, Maple, Red Oak, and White Oak
- Easily trimmed for custom fit



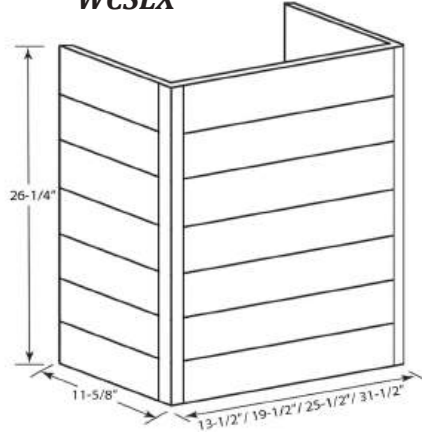
Shiplap Chimney Extensions



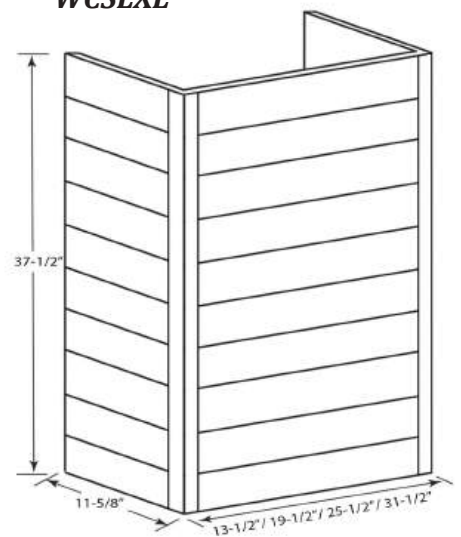
WCSLXS



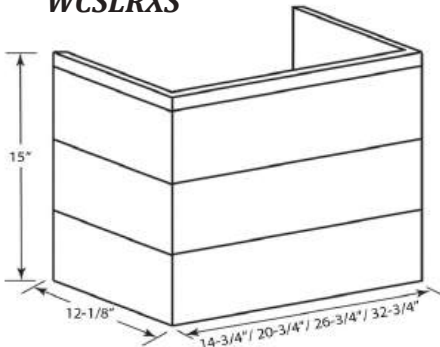
WCSLX



WCSLXL

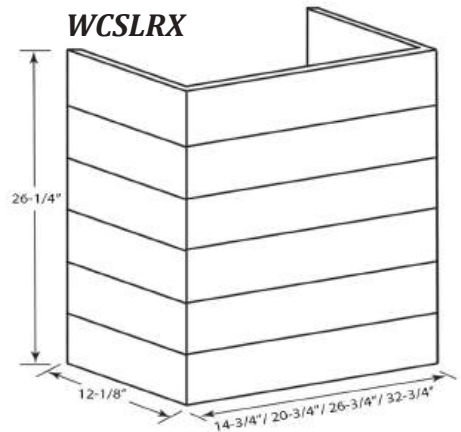


WCSLRXS

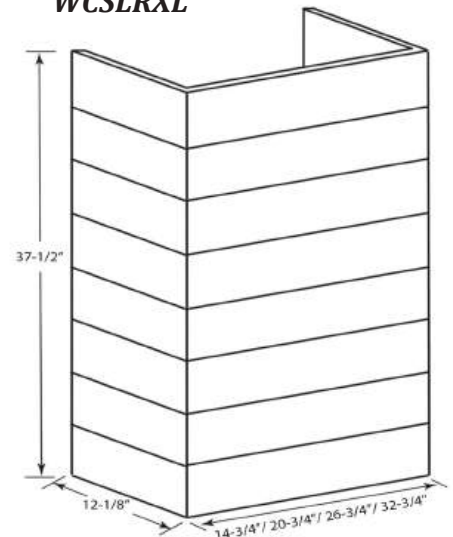


- Solid Lumber Construction
- Internal bracing with cleats, glue and pocket screws
- Available in Alder, Cherry, Hickory, Maple, Red Oak, White Oak and Pre-Finished Spruce
- Easily trimmed for custom fit

WCSLRX



WCSLRXL

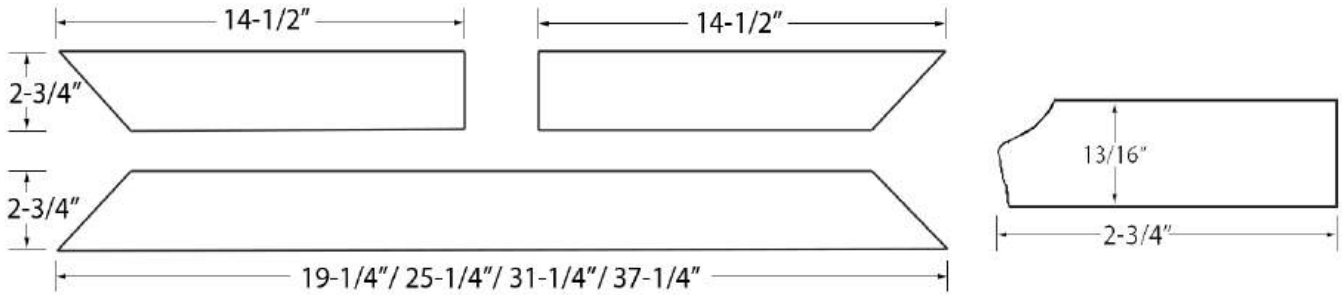


Item #	Dimensions (h) x (w) x (d)	Fits These Models
WCSLRX30	26-1/4" x 14-3/4" x 12-1/8"	WCSLR30
WCSLRX36	26-1/4" x 20-3/4" x 12-1/8"	WCSLR36
WCSLRX42	26-1/4" x 26-3/4" x 12-1/8"	WCSLR42
WCSLRX48	26-1/4" x 32-3/4" x 12-1/8"	WCSLR48
WCSLRXL30	37-1/2" x 14-3/4" x 12-1/8"	WCSLR30
WCSLRXL36	37-1/2" x 20-3/4" x 12-1/8"	WCSLR36
WCSLRXL42	37-1/2" x 26-3/4" x 12-1/8"	WCSLR42
WCSLRXL48	37-1/2" x 32-3/4" x 12-1/8"	WCSLR48
WCSLRXS30	15" x 14-3/4" x 12-1/8"	WCSLR30
WCSLRXS36	15" x 20-3/4" x 12-1/8"	WCSLR36
WCSLRXS42	15" x 26-3/4" x 12-1/8"	WCSLR42
WCSLRXS48	15" x 32-3/4" x 12-1/8"	WCSLR48
WCSLX30	26-1/4" x 13-1/2" x 11-5/8"	WCSL30
WCSLX36	26-1/4" x 19-1/2" x 11-5/8"	WCSL36
WCSLX42	26-1/4" x 25-1/2" x 11-5/8"	WCSL42
WCSLX48	26-1/4" x 31-1/2" x 11-5/8"	WCSL48
WCSLXL30	37-1/2" x 13-1/2" x 11-5/8"	WCSL30
WCSLXL36	37-1/2" x 19-1/2" x 11-5/8"	WCSL36
WCSLXL42	37-1/2" x 25-1/2" x 11-5/8"	WCSL42
WCSLXL48	37-1/2" x 31-1/2" x 11-5/8"	WCSL48
WCSLXS30	15" x 13-1/2" x 11-5/8"	WCSL30
WCSLXS36	15" x 19-1/2" x 11-5/8"	WCSL36
WCSLXS42	15" x 25-1/2" x 11-5/8"	WCSL42
WCSLXS48	15" x 31-1/2" x 11-5/8"	WCSL48





Chimney Trim Kits



WCHT, WCSLRT, WCSLT

Profile View

Item #	Dimensions (h) x (w) x (d)	Fits These Models
WCHT30	3/4" X 19-1/4" X 14-1/2"	30" WCH, WCHAP, WCHAC, WCHAS
WCHT36	3/4" X 25-1/4" X 14-1/2"	36" WCH, WCHAP, WCHAC, WCHAS, WCVA, WCVAC, WCVH, WCVS
WCHT42	3/4" X 31-1/4" X 14-1/2"	42" WCH, WCHAP, WCHAC, WCHAS, WCVA, WCVAC, WCVH, WCVS
WCHT48	3/4" X 37-1/4" X 14-1/2"	48" WCH, WCHAP, WCHAC, WCHAS, WCVA, WCVAC, WCVH, WCVS
WCSLRT30	3/4" X 19-1/4" X 14-1/2"	WCSLR30
WCSLRT36	3/4" X 25-1/4" X 14-1/2"	WCSLR36
WCSLRT42	3/4" X 31-1/4" X 14-1/2"	WCSLR42
WCSLRT48	3/4" X 37-1/4" X 14-1/2"	WCSLR48
WCSLT30	3/4" X 19-1/4" X 14-1/2"	WCSL30
WCSLT36	3/4" X 25-1/4" X 14-1/2"	WCSL36
WCSLT42	3/4" X 31-1/4" X 14-1/2"	WCSL42
WCSLT48	3/4" X 37-1/4" X 14-1/2"	WCSL48

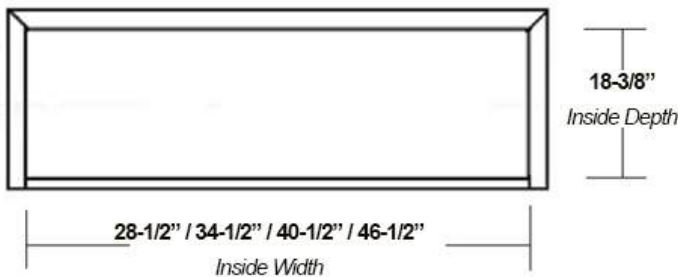
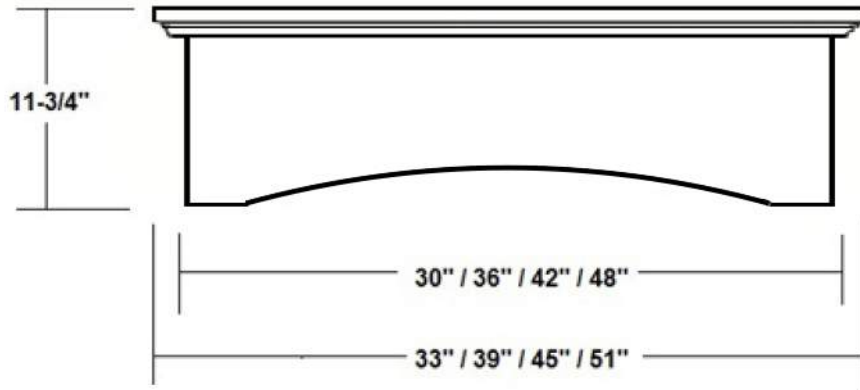
- Solid Lumber Construction
- Ships unassembled
- Trimmable to suit
- Molding matches corresponding Chimney Hood
- Available in Alder, Cherry, Hickory, Maple, Red Oak, White Oak, and Spruce
- Used to cap off Chimney Hood Extensions



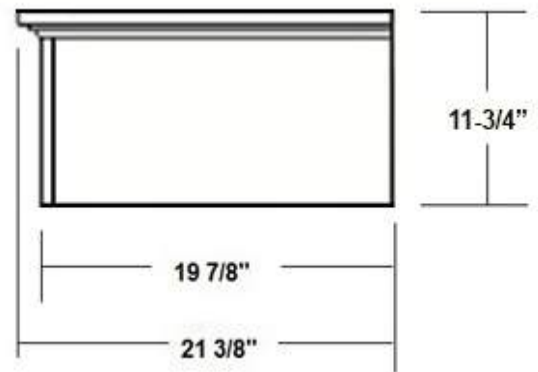
Arched Plain Range Hood Base



Front View



Side View



Item #	Dimensions (h) x (w) x (d)	Liner	Liner
JAPHB30	11-3/4" x 33" x 21-3/8"	HLB30	HLZ30
JAPHB36	11-3/4" x 39" x 21-3/8"	HLB36	HLZ36
JAPHB42	11-3/4" x 45" x 21-3/8"	HLB42	HLZ42
JAPHB48	11-3/4" x 51" x 21-3/8"	HLB48	HLZ48

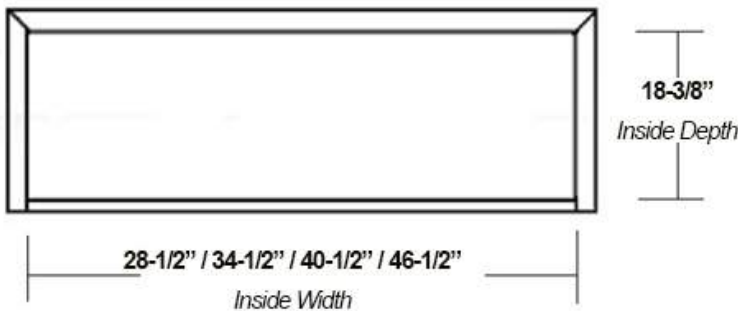
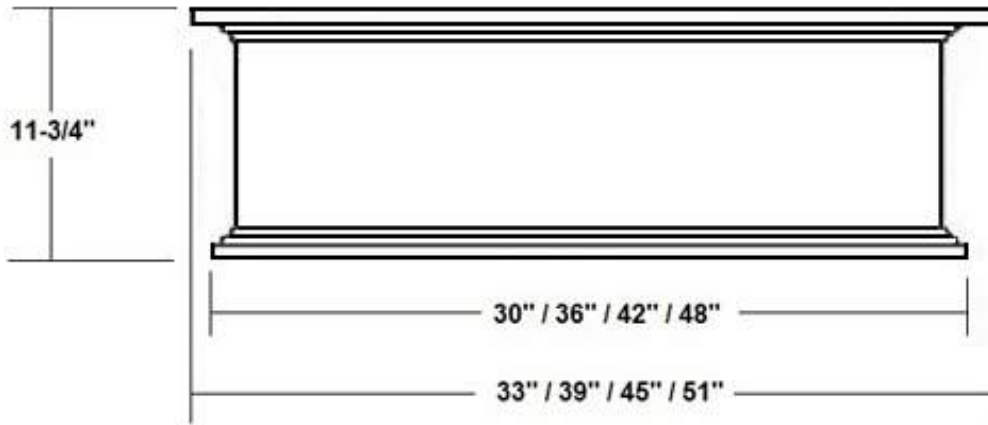
- Designed to accept a 15" - 18" deep Wall Cabinet on top
- Hardwood Plywood and Solid Lumber construction
- 1/2" Rear Plywood Stretchers for wall mounting
- Accepts HLB series Powder Coated or Stainless Steel Liners (*sold separately*)
- Select from 300, 400, or 600 CFM Broan Ventilation power packs (*sold separately*) or
- *Ascension 350SL, 350SS, 500SS or 620SS CFM Ventilation power packs (sold separately) or*
- *30" and 36" models accept Ascension 900 CFM Professional Ventilators (requires HLZ series Liners)*
- *42" and 48" models accept Ascension 1200 CFM Professional Ventilators (requires HLZ series Liners)*
- Available in Alder, Cherry, Hickory, Maple, Red Oak, and White Oak
- Optional Moldings available
- Increased Depth option available



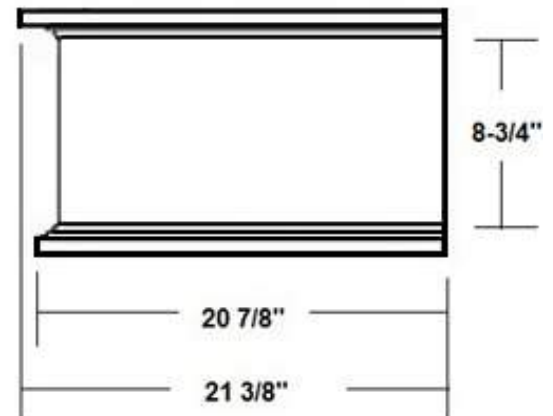


Plain Range Hood Base

Front View



Side View



Item #	Dimensions (h) x (w) x (d)	Liner	Liner
JSVHB30	11-3/4" x 33" x 21-3/8"	HLB30	HLZ30
JSVHB36	11-3/4" x 39" x 21-3/8"	HLB36	HLZ36
JSVHB42	11-3/4" x 45" x 21-3/8"	HLB42	HLZ42
JSVHB48	11-3/4" x 51" x 21-3/8"	HLB48	HLZ48

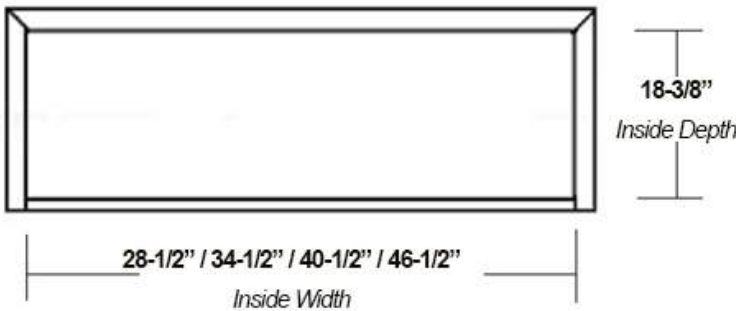
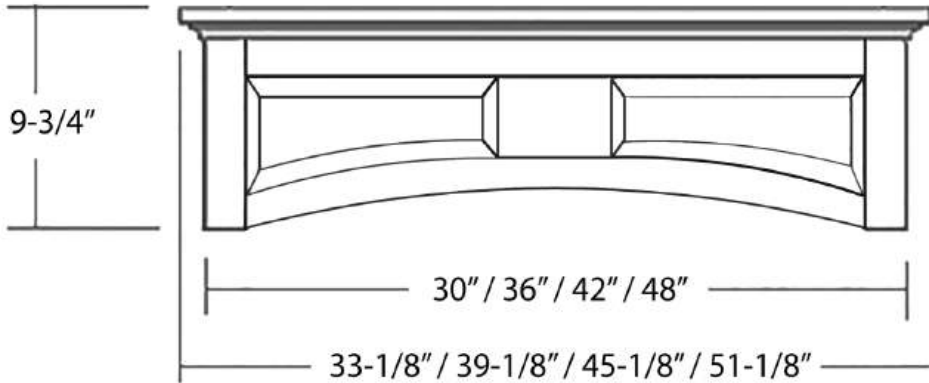
- Designed to accept a 15" - 18" deep Wall Cabinet on top
- Hardwood Plywood and Solid Lumber construction
- 1/2" Rear Plywood Stretchers for wall mounting
- Accepts HLB series Powder Coated or Stainless Steel Liners (*sold separately*)
- Select from 300, 400, or 600 CFM Broan Ventilation power packs (*sold separately*) or
- *Ascension 350SL, 350SS, 500SS or 620SS CFM Ventilation power packs (sold separately) or*
- *30" and 36" models accept Ascension 900 CFM Professional Ventilators (requires HLZ series Liners)*
- *42" and 48" models accept Ascension 1200 CFM Professional Ventilators (requires HLZ series Liners)*
- Available in Alder, Cherry, Hickory, Maple, Red Oak, and White Oak
- Base front will accept Ornaments in sizes up to 6" x 24"
- Increased Depth option available



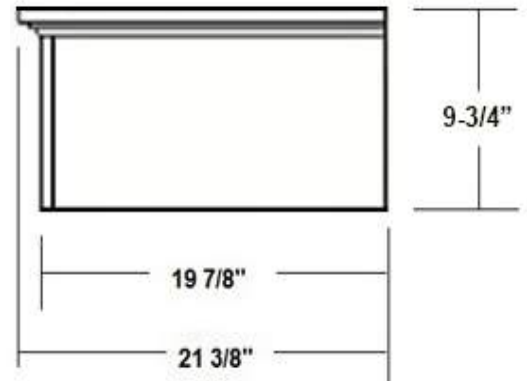
Arched Valance Range Hood Base



Front View



Side View



Item #	Dimensions (h) x (w) x (d)	Liner	Liner
JAPHB30	11-3/4" x 33" x 21-3/8"	HLB30	HLZ30
JAPHB36	11-3/4" x 39" x 21-3/8"	HLB36	HLZ36
JAPHB42	11-3/4" x 45" x 21-3/8"	HLB42	HLZ42
JAPHB48	11-3/4" x 51" x 21-3/8"	HLB48	HLZ48

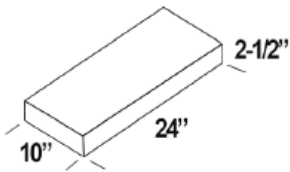
- Designed to accept a 15" - 18" deep Wall Cabinet on top
- Hardwood Plywood and Solid Lumber construction
- 1/2" Rear Plywood Stretchers for wall mounting
- Accepts HLB series Powder Coated or Stainless Steel Liners (*sold separately*)
- Select from 3000, 400, or 600 CFM Broan Ventilation power packs (*sold separately*) or
- *Ascension 350SL, 350SS, 500SS, or 620SS CFM Ventilation power packs (sold separately) or*
- *30" and 36" models accept Ascension 900 CFM Professional Ventilators (requires HLZ series Liners)*
- *42" and 48" models accept Ascension 1200 CFM Professional Ventilators (requires HLZ series Liners)*
- Available in Cherry, Maple and Red Oak
- Increased Depth option available



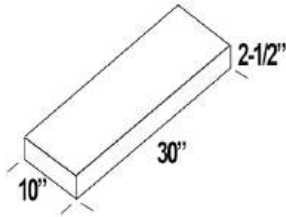


Plain Floating Shelves

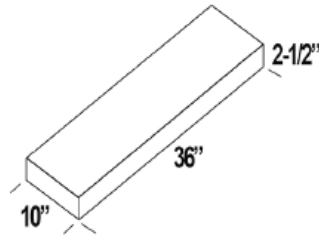
JMSP24



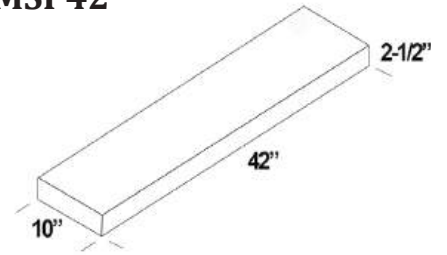
JMSP30



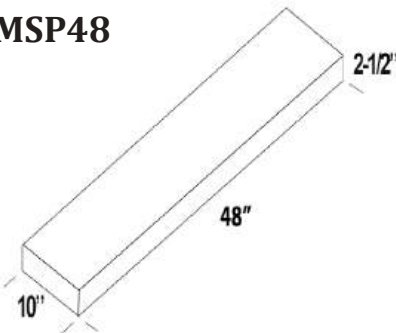
JMSP36



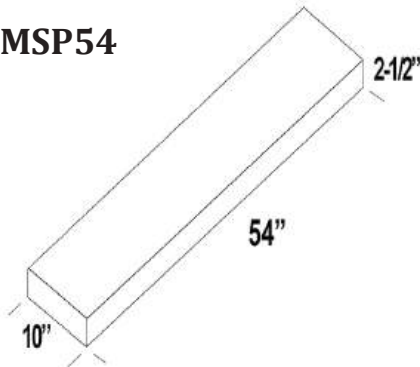
JMSP42



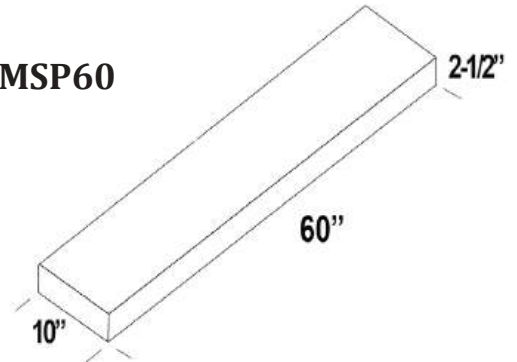
JMSP48



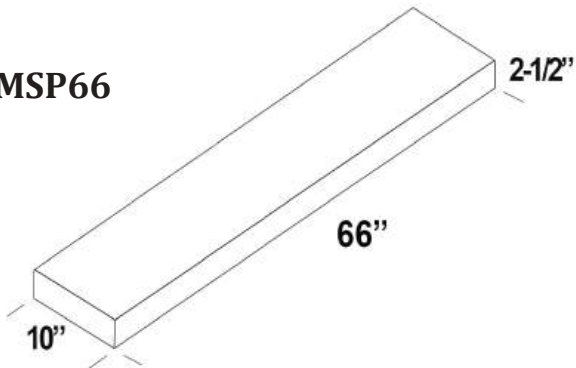
JMSP54



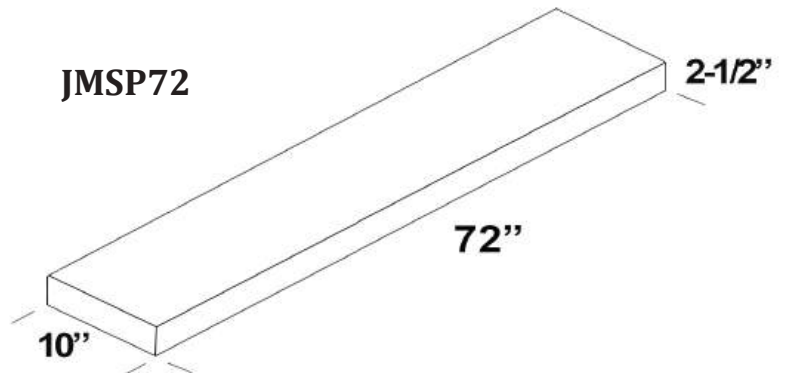
JMSP60



JMSP66



JMSP72



Castlewood Plain Floating Shelves are available *standard* with a *Heavy Duty mounting system*. Models less than 54" in length come with one pair of metal mounting brackets. Sizes 54" and greater come with two pairs of mounting brackets. All Floating Shelves are available in 10" and 12" depths

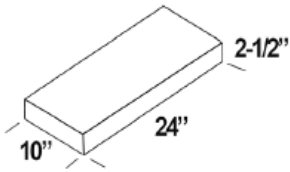
- Hardwood Plywood and Solid Lumber construction
- Available in Alder, Cherry, Hickory, Maple, Red Oak, White Oak
- A Paint Grade version made from Rubberwood and MDF is available
- Custom sizes are available by request
- *Steel Bracket Mounting System provides 150+ lbs. capacity per shelf*
- Optional 12" Depth available standard (add "D" to part # ie: JMSPD)



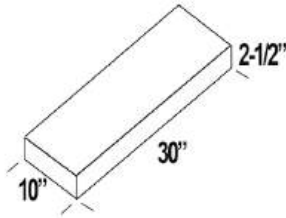
Rustic Floating Shelves



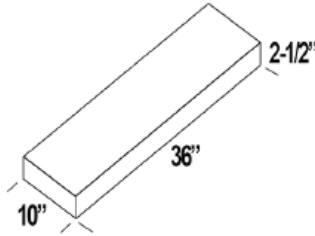
JMSPR24



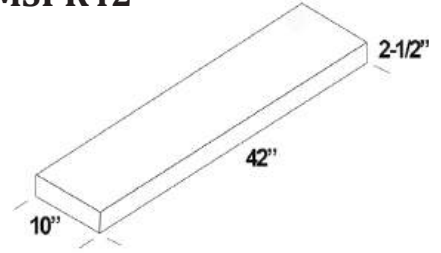
JMSPR30



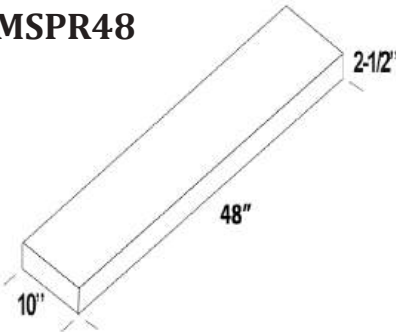
JMSPR36



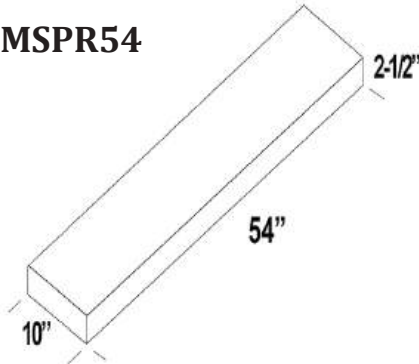
JMSPR42



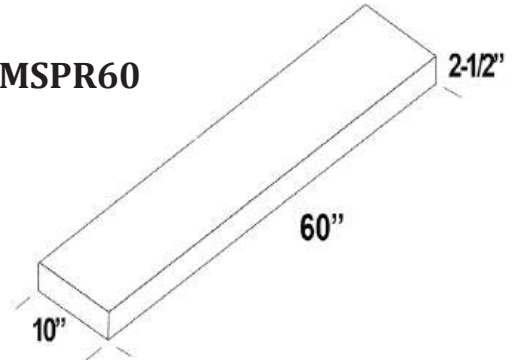
JMSPR48



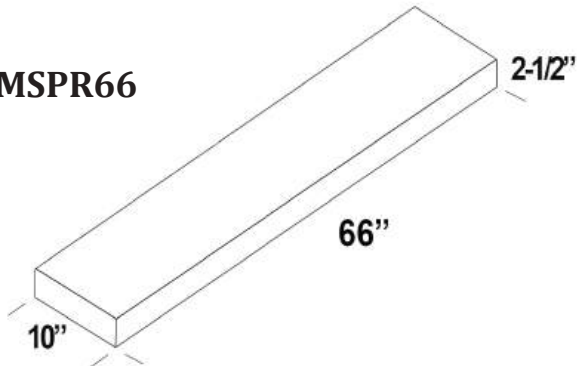
JMSPR54



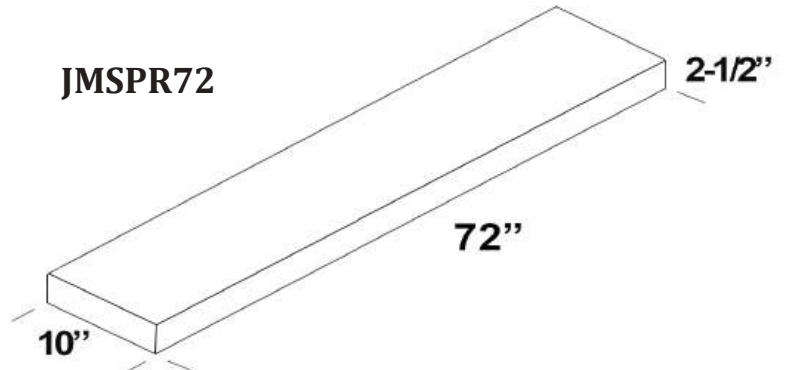
JMSPR60



JMSPR66



JMSPR72

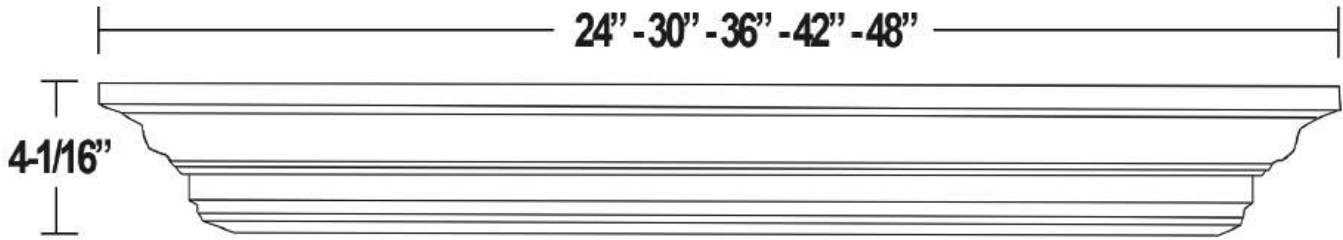


Castlewood Rustic Floating Shelves are available *standard* with a *Heavy Duty mounting system*. Models less than 54" in length come with one pair of metal mounting brackets. Sizes 54" and greater come with two pairs of mounting brackets. All Floating Shelves are available in 10" and 12" depths

- Constructed from Distressed Spruce Planks (*Rough Grain*)
- Pre-Finished with Sherwin Williams stain (Black, Brown, Dark Grey, Light Grey, White, Whitewash)
- Custom sizes are available by request
- *Steel Bracket Mounting System provides 150+ lbs. capacity per shelf*
- Optional 12" Depth available standard (add "D" to part # ie: JMSPRD)



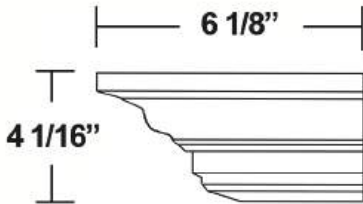
Traditional Mantel Shelves



JMSA
Traditional Mantel Shelf
(all versions have 6-1/8" depth)

Castlewood Traditional Mantel Shelves offer classic looks and sturdy support for displaying decorative and personal articles. These configurations can be used in custom range hood construction or as stand alone wall decoration.

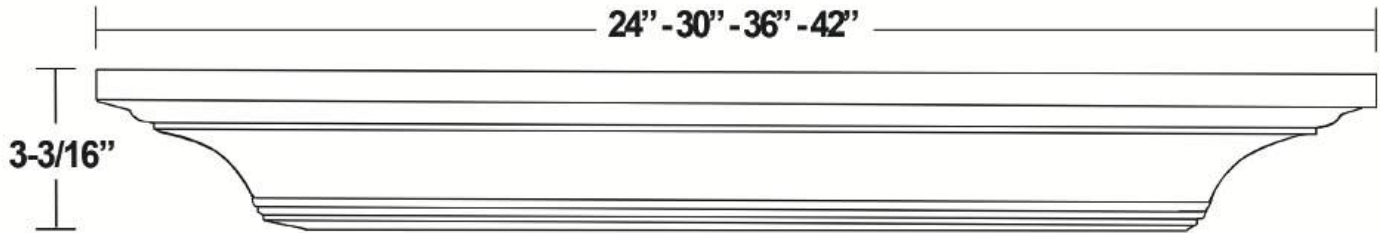
Item #	Dimensions (h) x (w) x (d)
JMSA24	4-1/6" x 24" x 6-1/8"
JMSA30	4-1/6" x 30" x 6-1/8"
JMSA36	4-1/6" x 36" x 6-1/8"
JMSA42	4-1/6" x 42" x 6-1/8"
JMSA48	4-1/6" x 48" x 6-1/8"



- Hardwood Plywood and Solid Lumber construction
- Solid Hardwood beveled mounting rail included (*undrilled*)
- Rail must be mounted securely to wall studs using 3" screws (*sold separately*)
- Measure stud spacing and mark locations on one long side of rail
- Drill appropriate holes and insert screws securely to wall studs
- Slide shelf body over beveled rail to complete installation
- 15 lbs. per square foot capacity when installed correctly
- Available in Alder, Cherry, Hickory, Maple and Red Oak
- Designed to accept 3/4" wide dentil insert molding
- Custom sizes available by request



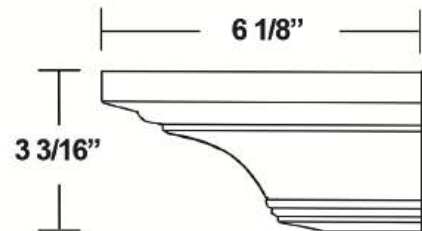
Coved Mantel Shelves



JMSC
Coved Mantel Shelf
(all versions have 6-1/8" depth)

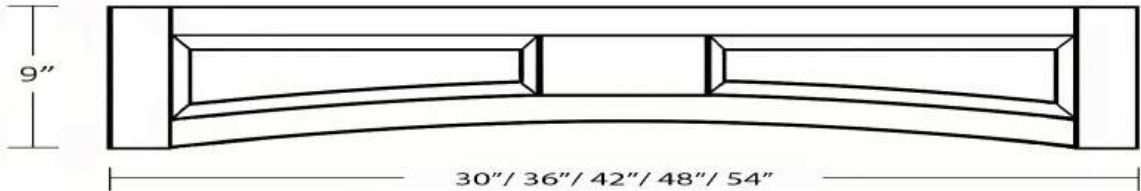
Castlewood Coved Mantel Shelves offer modern looks and sturdy support for displaying decorative and personal articles. These configurations can be used in custom range hood construction or as stand alone wall decoration.

Item #	Dimensions (h) x (w) x (d)
JMSC24	3-3/6" x 24" x 6-1/8"
JMSC30	3-3/6" x 30" x 6-1/8"
JMSC36	3-3/6" x 36" x 6-1/8"
JMSC42	3-3/6" x 42" x 6-1/8"
JMSC48	3-3/6" x 48" x 6-1/8"

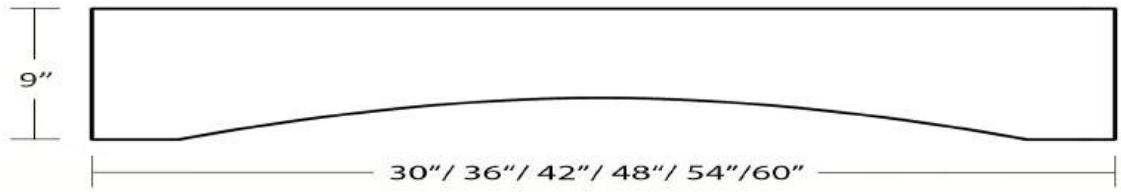


- Hardwood Plywood and Solid Lumber construction
- Solid Hardwood beveled mounting rail included (*undrilled*)
- Rail must be mounted securely to wall studs using 3" screws (*sold separately*)
- Measure stud spacing and mark locations on one long side of rail
- Drill appropriate holes and insert screws securely to wall studs
- Slide shelf body over beveled rail to complete installation
- 15 lbs. per square foot weight capacity when installed correctly
- Available in Alder, Cherry, Hickory, Maple and Red Oak
- Custom sizes available by request

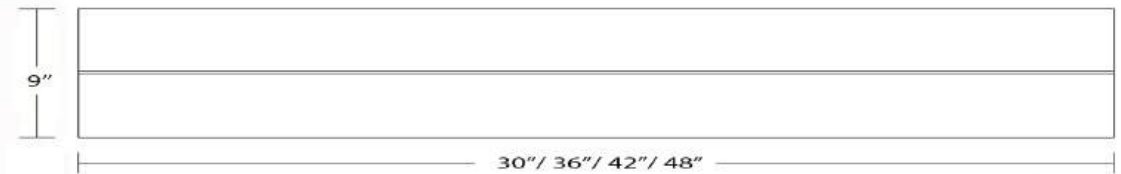




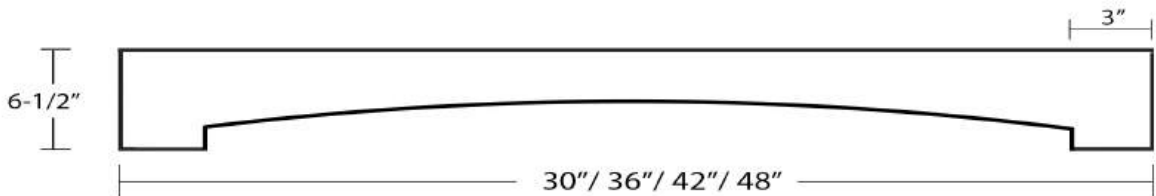
AV Arched Raised Panel Valance



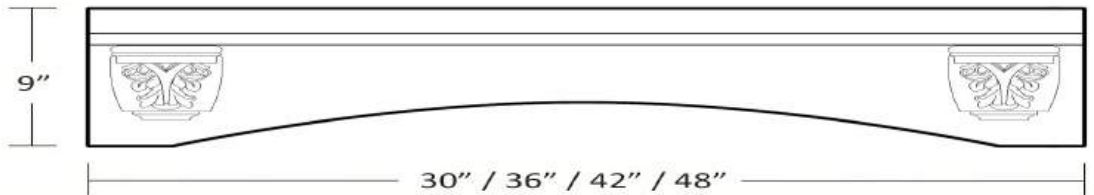
PV Plain Arched Valance



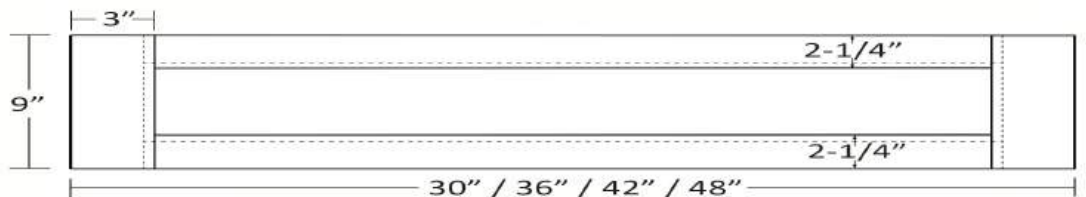
SLV Shiplap Valance



TAV Transitional Arched Valance



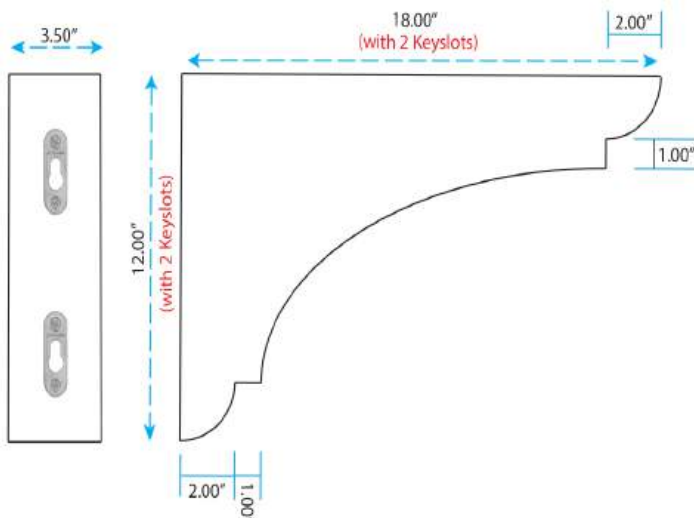
VA6051 Acanthus Arched Valance



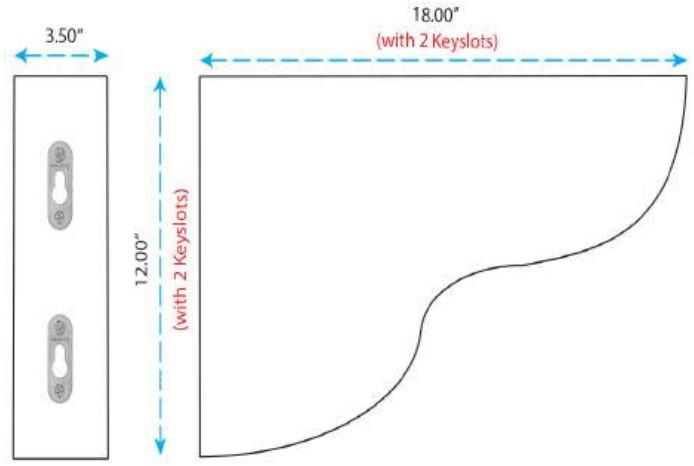
VA6052 Shaker Valance

- Solid Hardwood Lumber construction
- Shaker Panel Insert is Hardwood Veneer on MDF core
- All valance panel thicknesses are 3/4"
- Available in Alder, Cherry, Hickory, Maple and Red Oak
- Custom sizes available by request

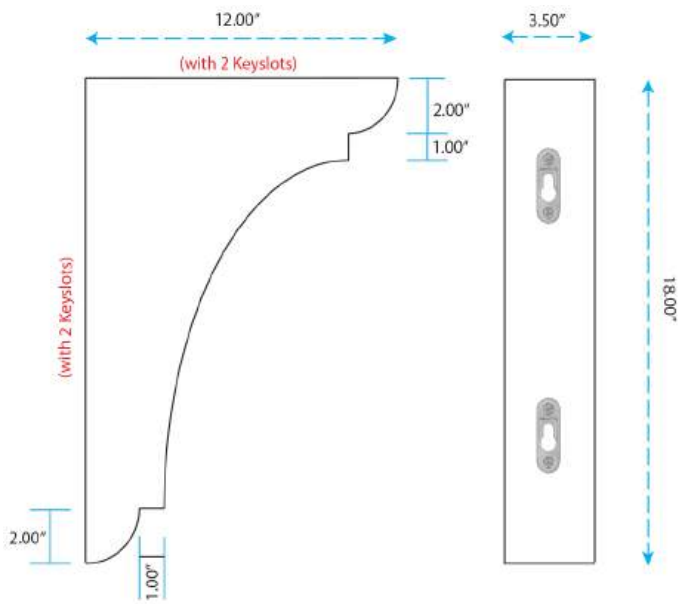
Range Hood Corbels



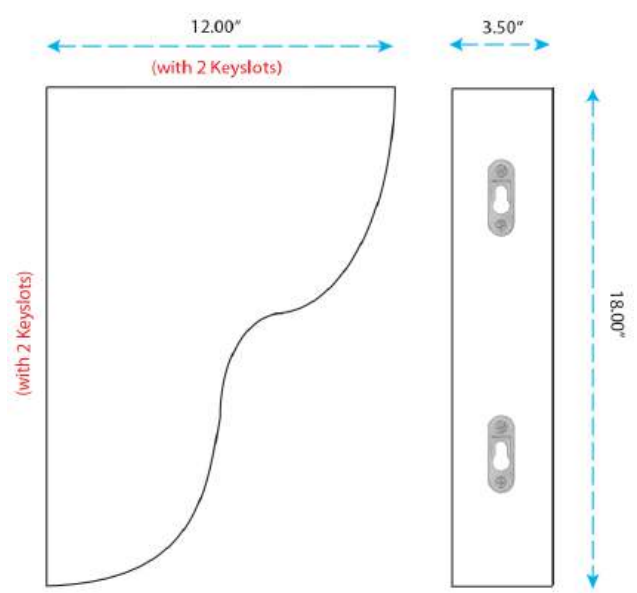
CA144 (horizontal mount)



CA145 (horizontal mount)



CA144 (vertical mount)

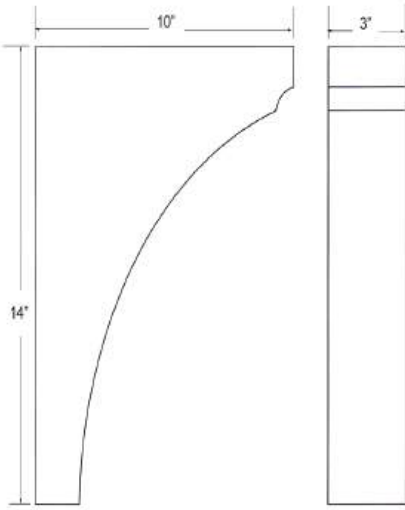


CA145 (vertical mount)

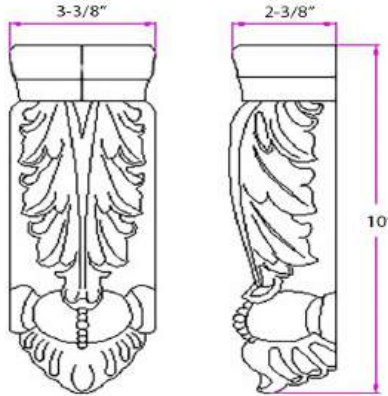
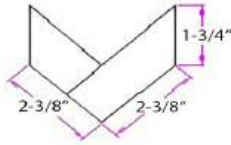
- Solid Hardwood construction
- Includes steel keyslots for secure mounting
- Sized proportionally for range hood application
- Available in Birch, Cherry, Maple and Red Oak
- Other designs available at www.castlewood.com



Range Hood Corbels

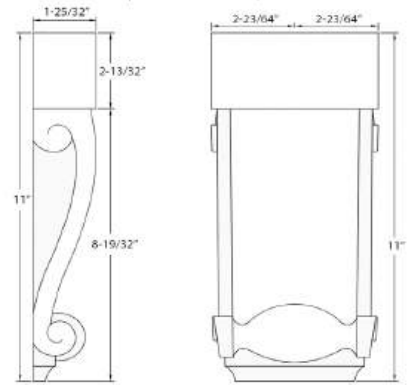
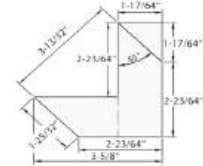


CA7



CA122

(corner corbel)



CA123

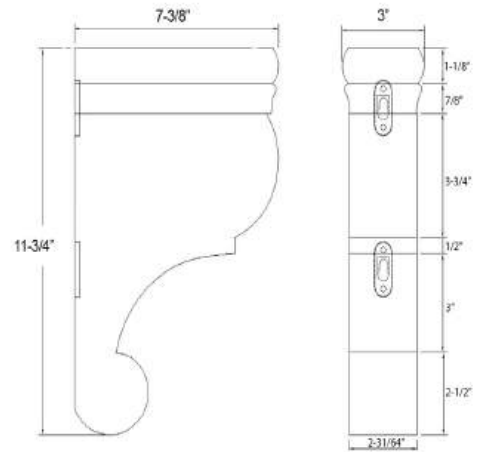
(corner corbel)



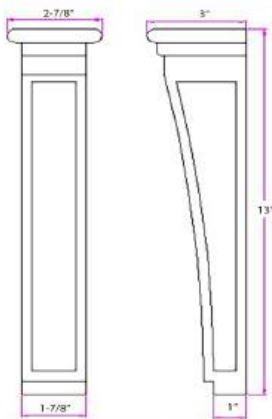
CA98



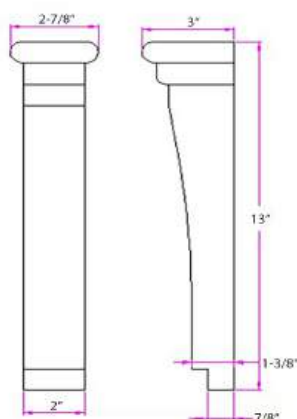
CA105



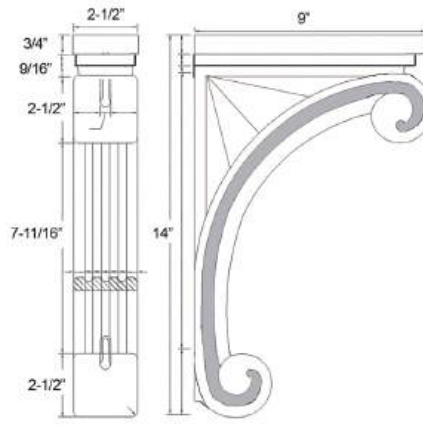
CA209



CA68

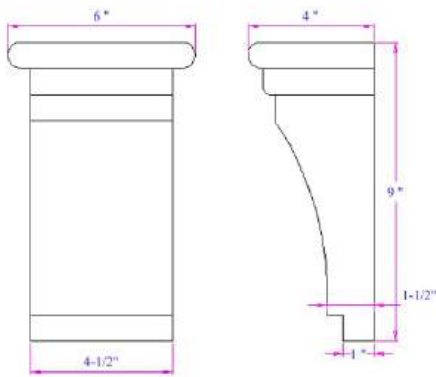


CA8

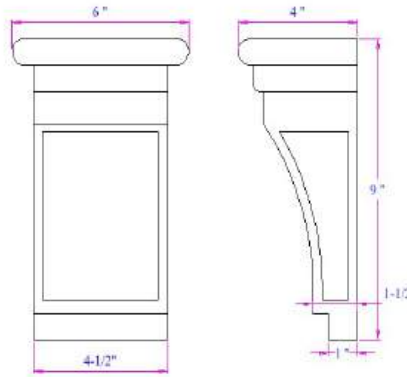


CA210

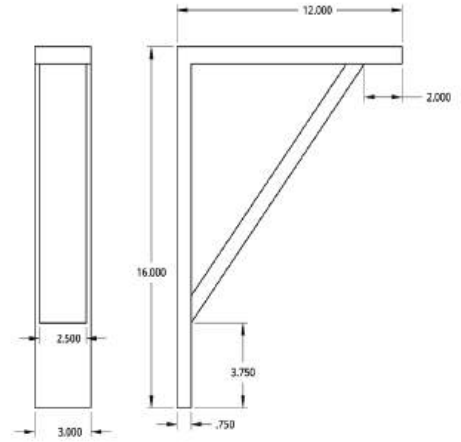
Range Hood Corbels



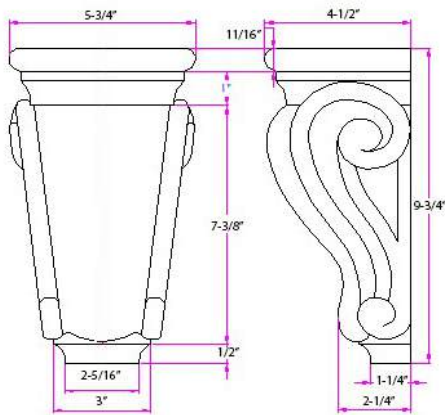
CA6



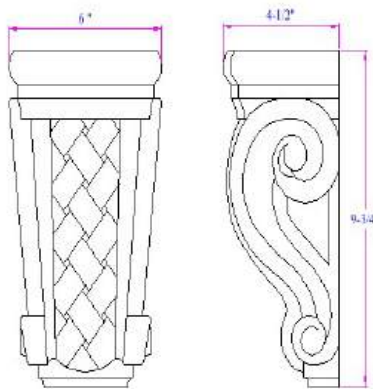
CA66



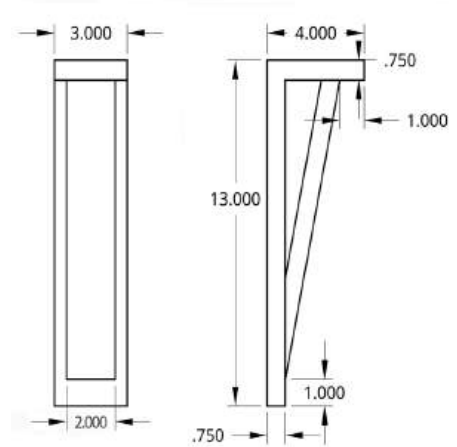
JLBB20



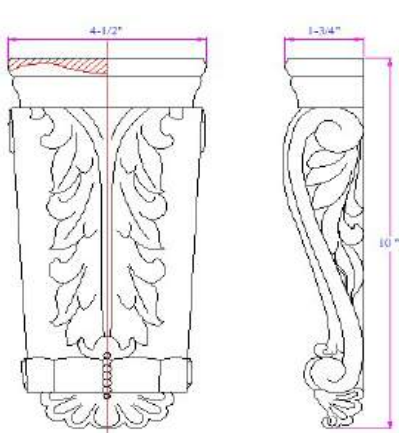
CA106



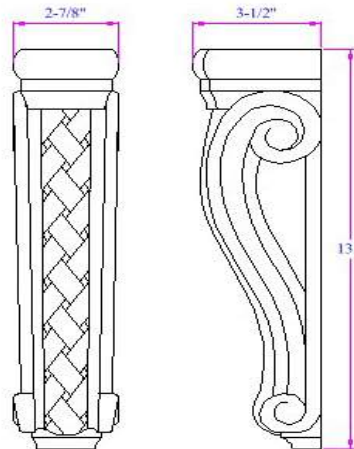
CA160



JLBB22



CA121



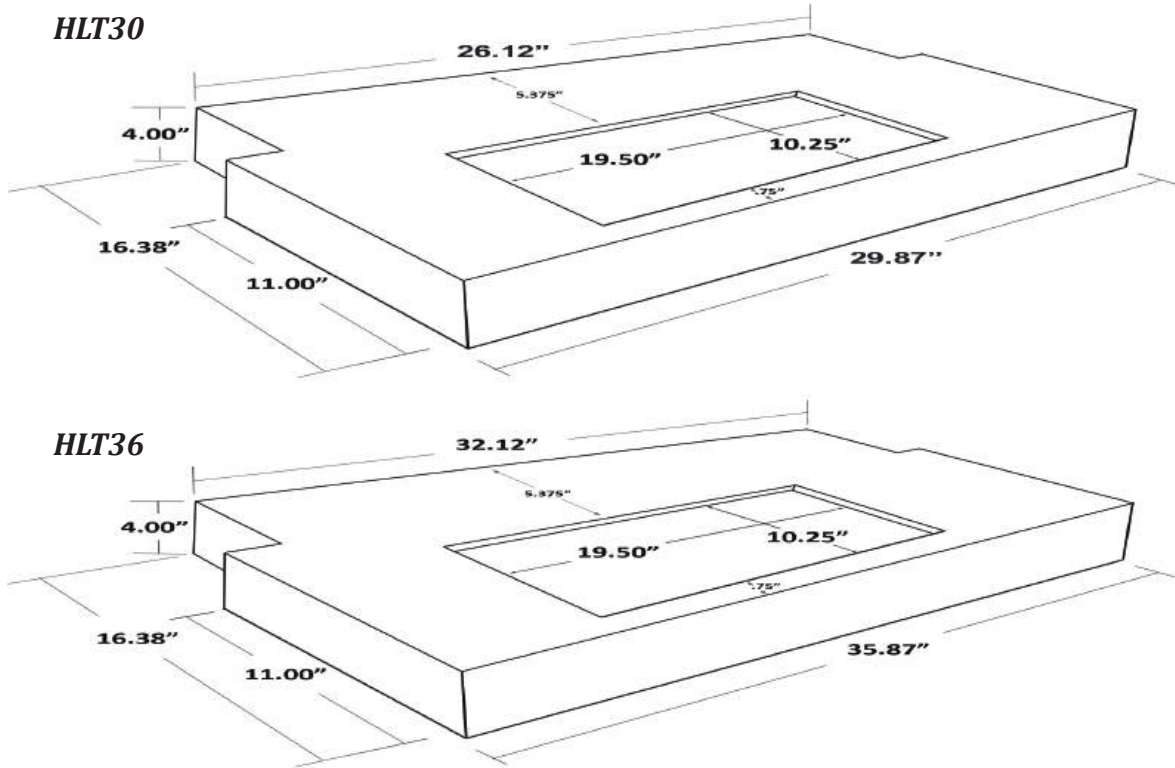
CA161

- Solid Hardwood construction
- Available in Alder, Birch, Cherry, Maple and Red Oak
- Other designs can be found at www.castlewood.com





T-Shape Steel Hood Liners

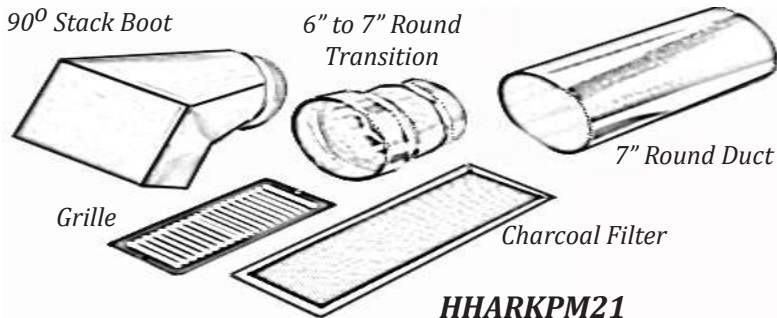


Item #	Dimensions (h) x (w) x (d)
HLT30	4" X 29-7/8" X 16-3/8"
HLT36	4" X 35-7/8" X 16-3/8"
HHARKPM21	6" to 7" Round Transition
HVASDK	for 6" Round Duct
HSCF124	Charcoal Filter for Ascension
HS99010464	Charcoal Filter for Broan

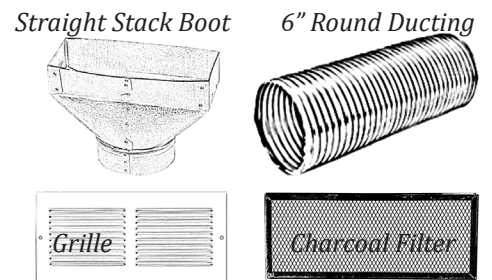
*HHARKPM21 works with HV300SS,
HV400SS and HV600SS units.
HVASDK works with HVA350SL,
HVA350SS and HVA500SS units.*

- Cold Rolled Steel Construction with Silver Metallic powder coated finish
- For use in all Range Hood FRONTS
- Accepts Ascension and Broan ventilators
- HV300SS
- HVA350SL
- HVA350SS
- HV400SS
- HVA500SS
- HV600SS
- HVA620SS

Recirculating Kits



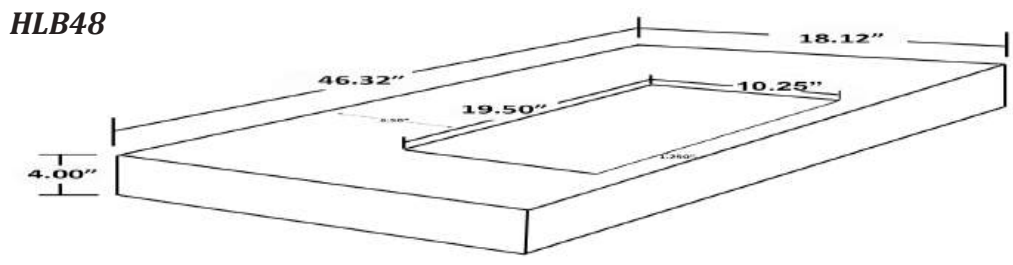
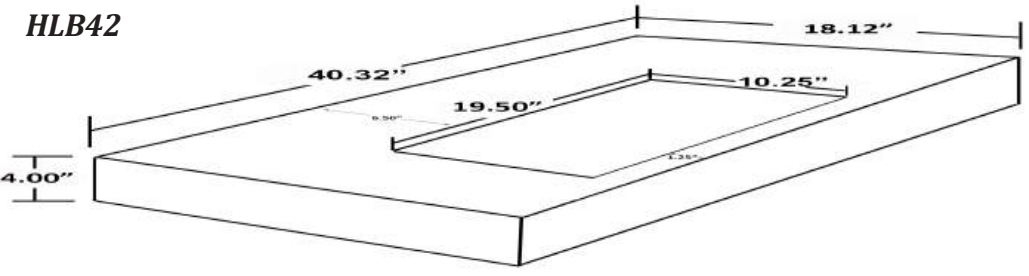
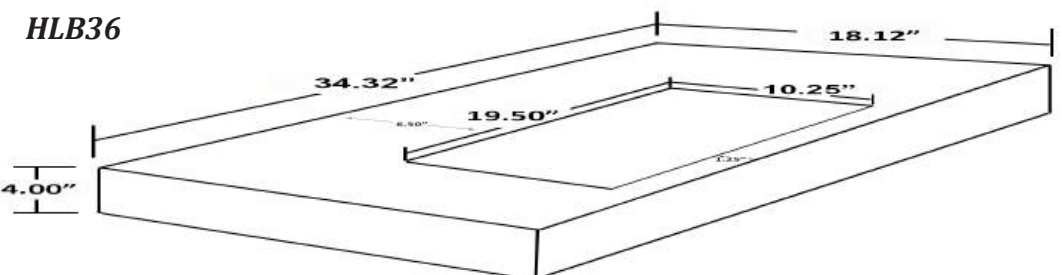
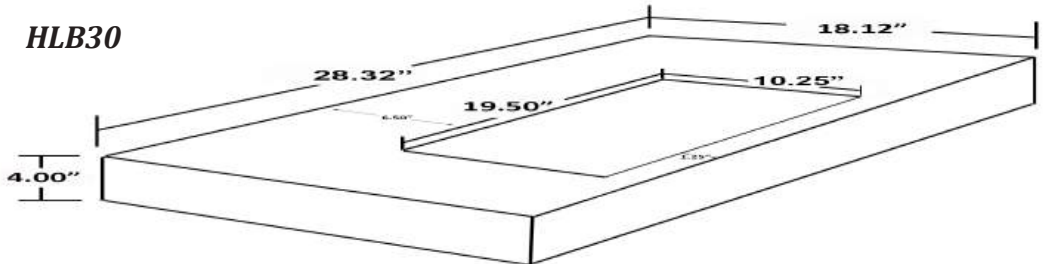
HHARKPM21



HVASDK



Rectangular Steel Hood Liners



- Cold Rolled Steel Construction with Silver Metallic powder coated finish
- or Stainless Steel (SS430)
- For use in all full Chimney and Mantel style range hood configurations
- Accepts Ascension and Broan ventilation units
- HV300SS
- HVA350SL
- SYHVA350SS
- HV400SS
- HVA500SS
- HV600SS
- HVA620SS

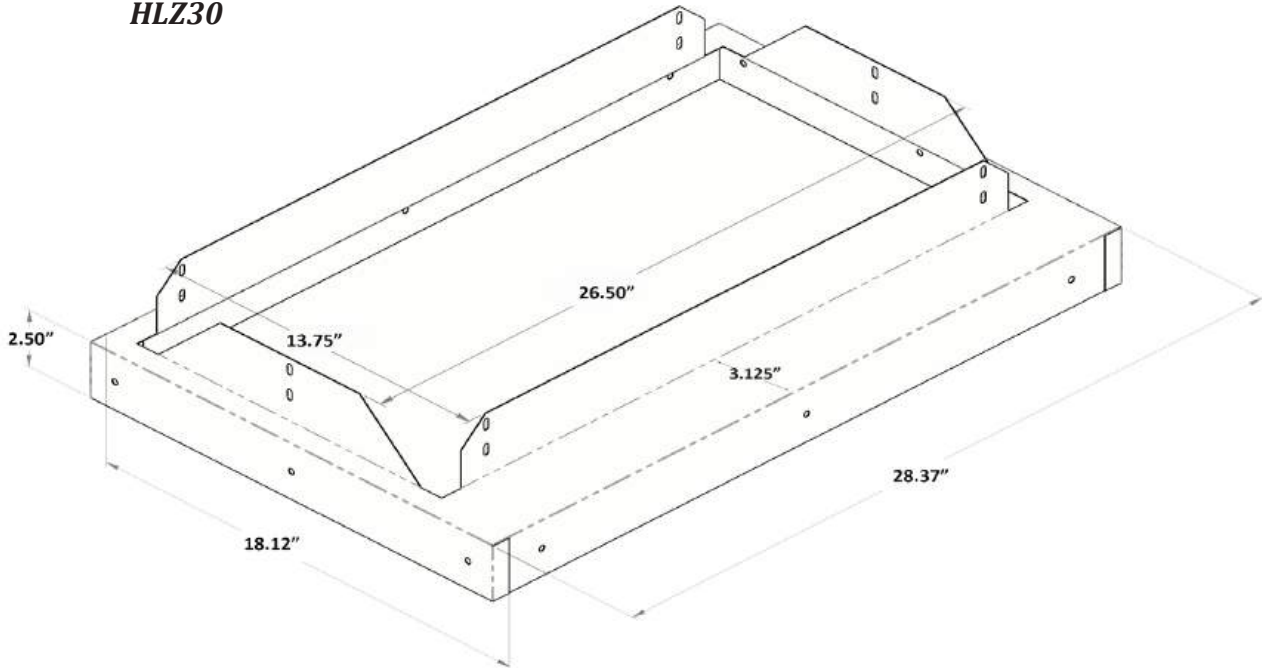
Item #	Dimensions (h) x (w) x (d)
HLB30	4" x 28-21/64" x 18-1/8"
HLB36	4" x 34-21/64" x 18-1/8"
HLB42	4" x 40-21/64" x 18-1/8"
HLB48	4" x 46-21/64" x 18-1/8"



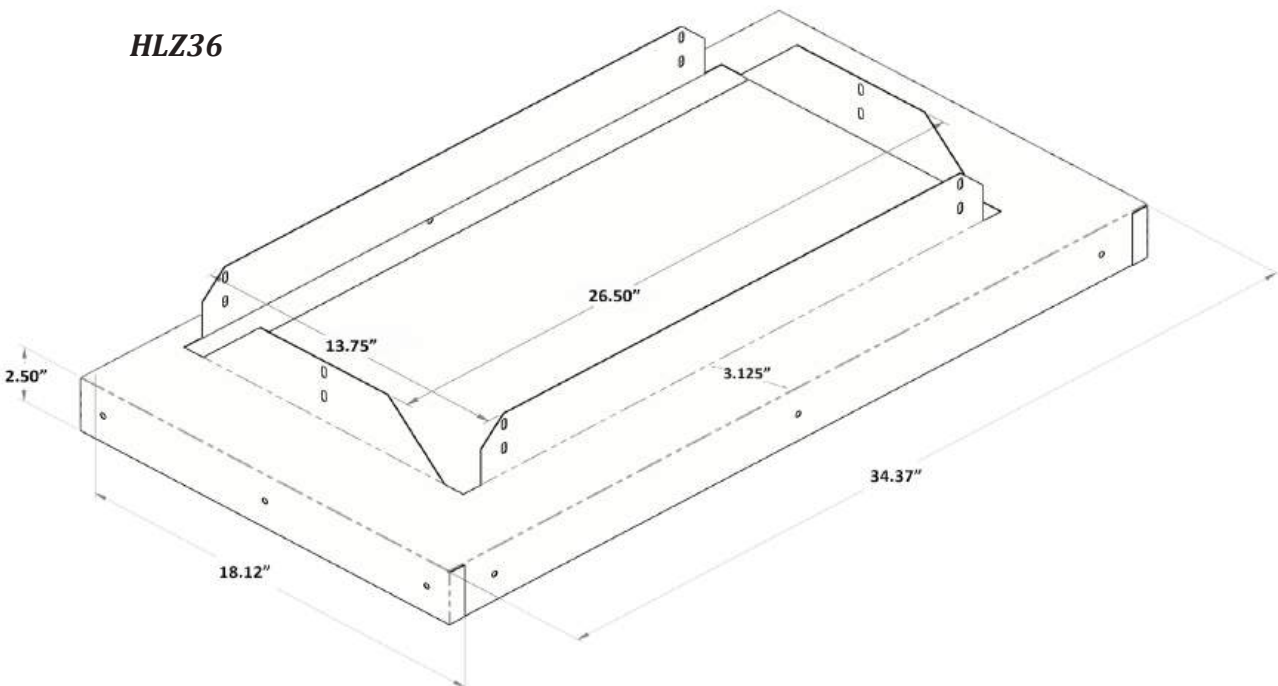


Large Ventilator Steel Hood Liners for HVA900SS (900 CFM units)

HLZ30



HLZ36



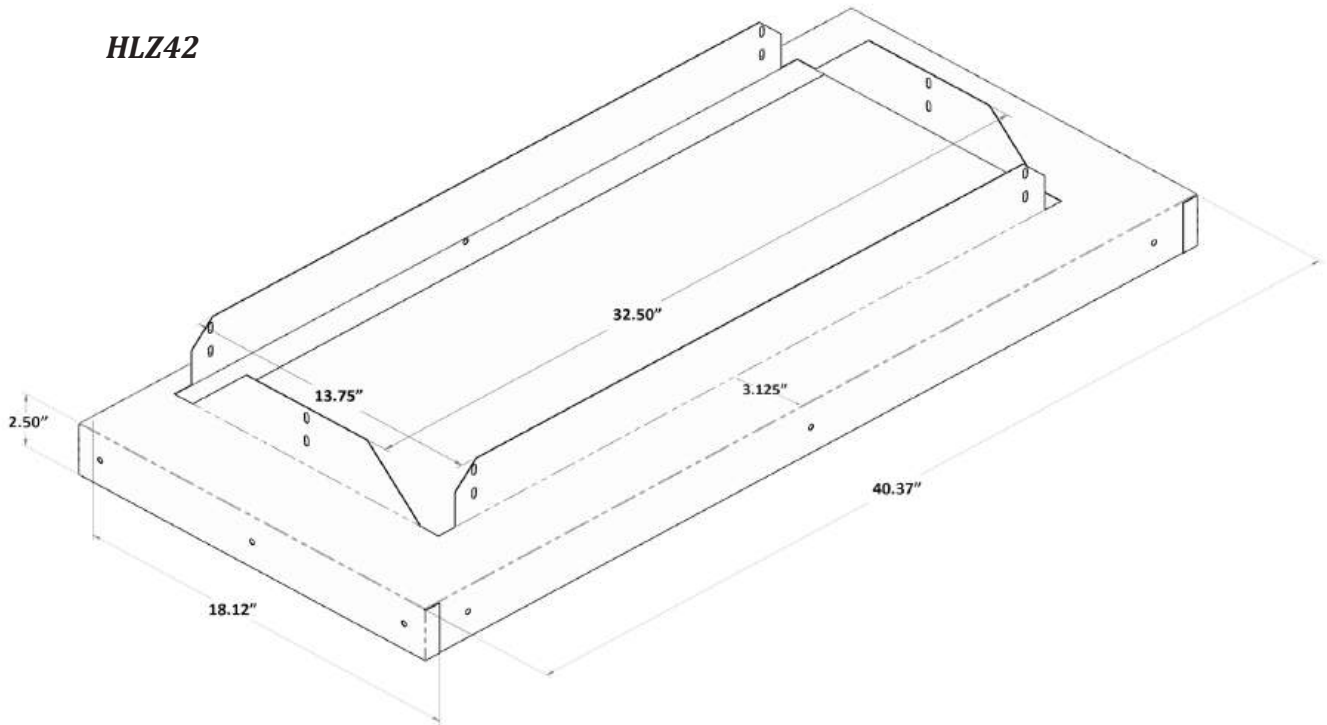
- Stainless Steel Construction (SS430).
- For use in all full Chimney and Mantel style range hood configurations
- HLZ30 and HLZ36 accept HVA900SS (900 CFM) unit only



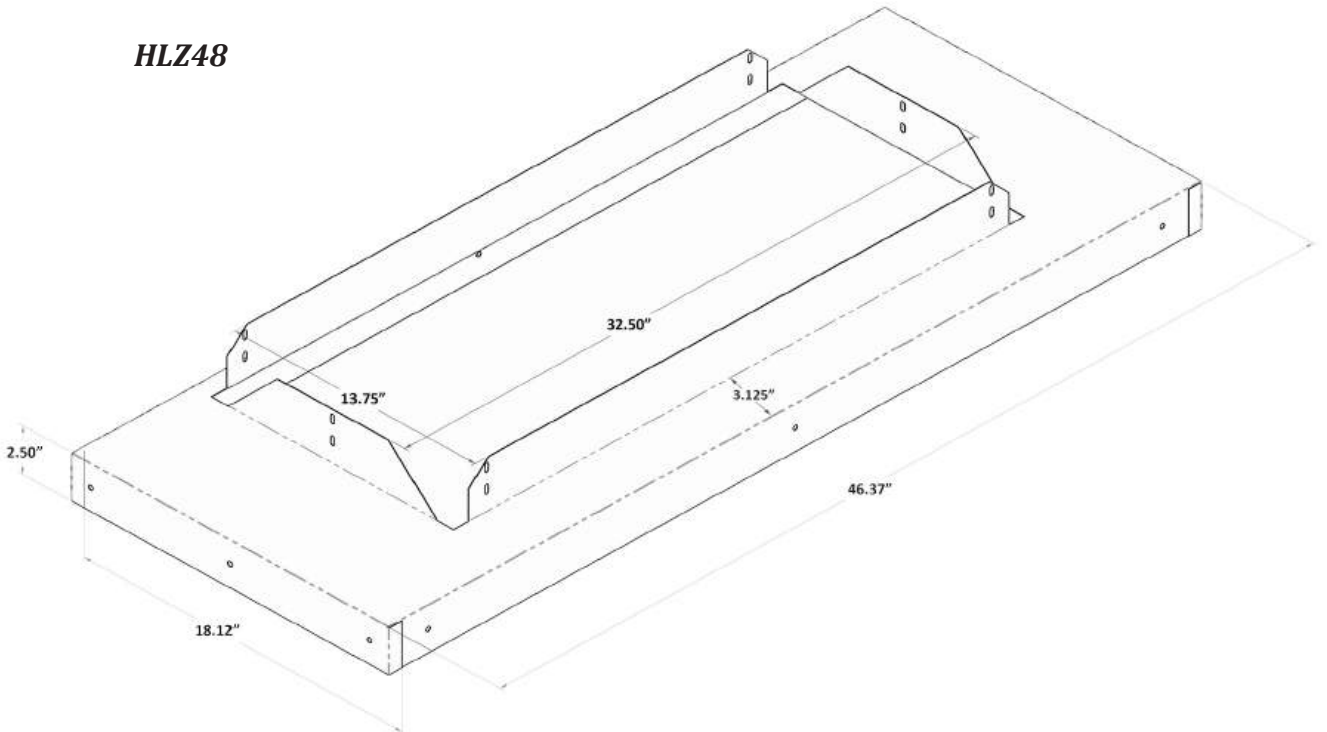
Large Ventilator Steel Hood Liners for HVA1200SS (1200 CFM units)



HLZ42



HLZ48



- Stainless Steel Construction (SS430).
- For use in all full Chimney and Mantel style range hood configurations
- HLZ42 and HLZ48 accept HVA1200SS (1200 CFM) unit only



300 CFM Ventilator Power Pack

BROAN® Powerpack Insert PM SERIES HV300SS

The PM300SS built-in powerpack insert offers you a custom appearance while protecting cabinetry with stainless steel liners. Featuring a smooth, stainless steel surface that is easy to clean with quick-release dishwasher-safe filter. The bright LED lighting enhances your cooking experience.

SIZE	STAINLESS	GREASE FILTER (replacement)	NON-DUCTED FILTER
21-3/8 in.	PM300SS	S99100628-121 (Aluminum)	S99010464 (Charcoal)

HVI PERFORMANCE							
Duct Orientation	Size	Damper	Sones		CFM		
			Normal	High	Normal	High 0.25 in. w.g.	High 0.1 in. w.g.
Round - Vertical	7 in.	Not included	3.0	7.0	140	115	260

FEATURES	
Max. Blower CFM*	300
Control type	2-Speed Rocker Switch
Delay off	no
Filter Clean Reminder	no
Heat Sentry™	no
ADA Capable	yes
Lighting	1-level LED (2 LED modules included)
Grease Filter	Micromesh (Qty. 1)
Installation Hardware	Included
ENERGY STAR®	no
Recirculation	Non-ducted kit sold separately

AC INPUT	
120 V, 60 Hz - 2.3 AMPS	

OPTIONAL ACCESSORIES	
Stainless Steel Liners	HLB30SS, HLB36SS, HLB42SS, HLB48SS
ADA Kit	HAWSK3
Non Duct Kit	HARKPM21
Power Cord Kit	HCK44 (U.S.A. only)
Damper	BP87Q
Make-up Air Dampers	MD6TU, MD8TU and MD10TU

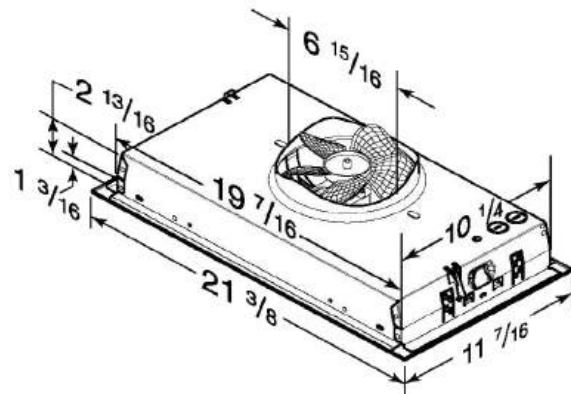
MOUNTING HEIGHT	
24 in. to 30 in. from cooktop to bottom of hood	

LIMITED WARRANTY	
1-year	

FOR INDOOR USE ONLY



Will accommodate ranges with up to 30,000 BTU output



Dimensions shown in inches.



Can be used to comply with LEED requirements.



400 CFM Ventilator Power Pack



BROAN® HV400SS

Power Pack
PM SERIES

The PM400SS built-in powerpack insert offers you a custom appearance while protecting cabinetry with stainless steel liners. Featuring a smooth, stainless steel surface that is easy to clean with quick-release dishwasher-safe filter. The bright LED lighting enhances your cooking experience.

SIZE	STAINLESS	GREASE FILTER (replacement)	NON-DUCTED FILTERS
21-3/8 in.	PM400SS	S99010400 (Aluminum)	S99010464 (Charcoal)

HVI PERFORMANCE									
Duct Orientation	Size	Damper	Sones			CFM			
			Normal	Medium*	High	Normal	Medium*	High 0.25 in. w.g.	High 0.1 in. w.g.
Vertical - Rectangular	3¼ x 10 in.	Included	1.0	3.0	6.0	130	210	380	400
Horizontal - Rectangular	3¼ x 10 in.	Included	1.0	3.0	5.5	120	220	370	400
Round - Vertical	6 in.	Included	1.0	2.0	6.0	120	210	370	390

FEATURES	
Max. Blower CFM*	450
Control type	3-Speed Rotary Switch
Delay off	no
Filter Clean Reminder	no
Heat Sentry™	yes
ADA Capable	no
Lighting	1-level LED (2 LED modules included)
Grease Filter	Micromesh (Qty. 1)
Installation Hardware	Included
ENERGY STAR®	yes
Recirculation	Non-ducted kit sold separately

AC INPUT	
120 V, 60 Hz - 2.3 AMPS	

OPTIONAL ACCESSORIES	
Stainless Steel Liners	HLB30SS, HLB36SS, HLB42SS, HLB48SS
Non Duct Kit	HARKPM21
Power Cord Kit	HCK44 (U.S.A. only)
Hybrid Baffle Filter	HPFBN1
Make-up Air Dampers	MD6TU, MD8TU and MD10TU

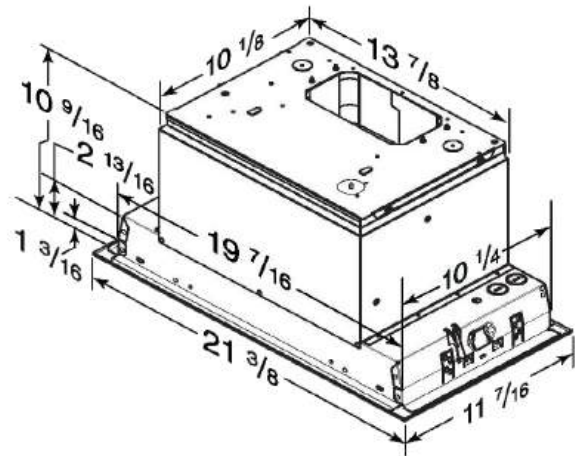
MOUNTING HEIGHT	
24 in. to 30 in. from cooktop to bottom of hood	

LIMITED WARRANTY	
1-year	

FOR INDOOR USE ONLY



- Will accommodate ranges with up to 40,000 BTU output



Dimensions shown in inches.



Can be used to comply with LEED requirements.





600 CFM Ventilator Power Pack

BROAN Power Pack PM SERIES HV600SSV

Description: Broan® 21" 650 MAX CFM Built-in Power Pack

Dimensions: 21 3/8" L x 11 7/16" W x 10 9/16" H

Control: Electronic Soft touch – 4-speed, 3-level light

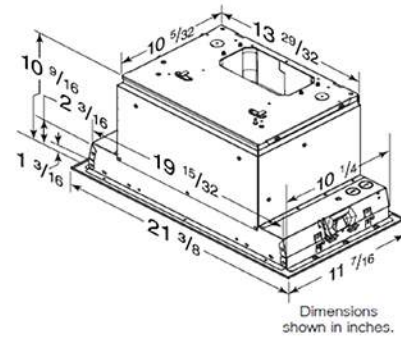
Max. Blower CFM:	650
HVI CFM – Speed 4 (High):	600*
Rated CFM – Speed 3:	300*
Rated CFM – Speed 2 (Normal):	190*
HVI CFM – Speed 1 (Working):	130*
CRT CFM:	300, 400

Sones – Speed 4:	9.5*
Sones – Speed 3:	3.3*
Sones – Speed 2 (Normal):	1.0*
Sones – Speed 1 (Working):	0.8*

*Rating with 8" round vert.

LED Lights:

- Lumens: > 300
- LUX: 500
- CCT: 3,000K
- CRI: Ra ≥ 80, R9 ≥ 0
- Luminous Efficacy: > 90 Lumen/W
- Lumen Maintenance: L70 ≥ 25,000 hours
- Power: 3W
- Design Temperature: 85C



Auto-Sensing:	YES
WiFi:	YES
Heat Sentry	YES
Master On/Off:	YES

- Will accommodate ranges with up to 60,000 BTU output

Filters:	(1) Hybrid Baffle
Ducting:	Vertical: 8" Round, 6" Round, 3 1/4" x 10" Horizontal: 3 1/4" x 10"
Power Requirements:	120 VAC, 60 Hz – TBD AMPS

Energy Star Rated:	NO
ADA Compliant	YES

Accessories:

- Non-duct kit: HARKPM21
- ADA Switch Kit: HAWRK5



Ascension 350 CFM Economy Ventilator



SPECIFICATION SHEET



HVA350SL POWER PACK



FEATURES

- Silver Metallic Powder Coated Finish
- 3 Speed motor
- 350 CFM
- 6" Outlet (Transition piece with backdraft damper to round ducting included)
- 2 Directional Lights
- LED (3 watt) lamps included (GU10)
- Aluminum Mesh Filter (dishwasher safe)
- Power supply cord included
- Push Button Controls
- 1 Year Warranty
- Use with SY-HLB or SY-HLT series Liners
- Will accommodate cook-tops with up to 35,000 BTU output

TYPICAL SPECIFICATION

Power Pack shall be Ascension model HVA350SL

Power pack shall have a multi-speed fan switch and separate light switch.

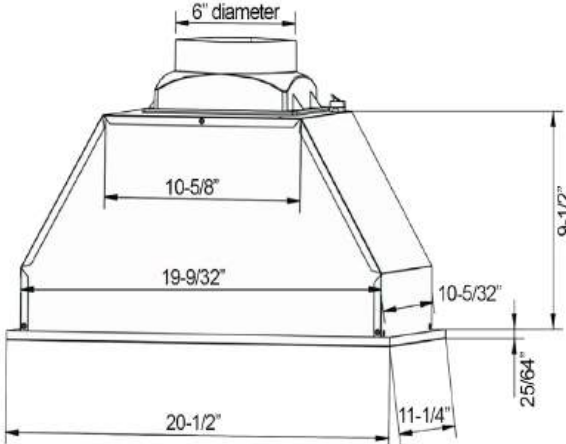
Fan may be ducted externally or redirected via a ductless conversion kit (sold separately).

Fan must be equipped with Aluminum Mesh Filter.

Air delivery to be at least 350 CFM.

Unit shall be ETL listed.

VOLTS	AMPS	CFM	SONES	DUCT
120	1.83	250	4	6" round
120	1.83	300	7	6" round
120	1.83	350	9	6" round





Ascension 350 CFM Ventilator

SPECIFICATION SHEET



FEATURES

- Stainless Steel SS430
- 3 Speed motor
- 350 CFM
- 6" Outlet (Transition piece with backdraft damper to round ducting included)
- 2 Directional Lights
- LED (3 watt) lamps included (GU10)
- Stainless Steel Baffle Filter (dishwasher safe)
- Power supply cord included
- Push Button Controls
- 1 Year Warranty
- Use with SY-HLB or SY-HLT series Liners
- Will accommodate cook-tops with up to 35,000 BTU output

TYPICAL SPECIFICATION

Power Pack shall be Ascension model HVA350SS

Power pack shall have a multi-speed fan switch and separate light switch.

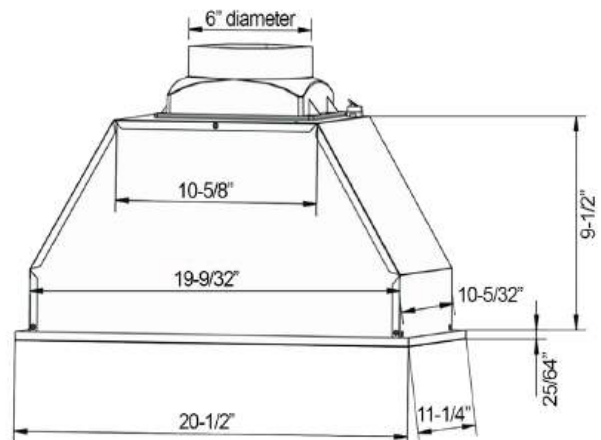
Fan may be ducted externally or redirected via a ductless conversion kit (sold separately).

Fan must be equipped with Stainless Steel baffle filter.

Air delivery to be at least 350 CFM.

Unit shall be ETL listed.

VOLTS	AMPS	CFM	SONES	DUCT
120	1.83	250	4	6" round
120	1.83	300	7	6" round
120	1.83	350	9	6" round



Ascension 500 CFM Ventilator



SPECIFICATION SHEET



FEATURES

- Stainless Steel SS430
- 3 Speed motor
- 500 CFM
- 6" Outlet (Transition piece with backdraft damper to round ducting included)
- 2 Directional Lights
- LED (3 watt) lamps included (GU10)
- Stainless Steel Baffle Filter (dishwasher safe)
- Power supply cord included
- Push Button Controls
- 1 Year Warranty
- Use with SY-HLB or SY-HLT series Liners
- Will accommodate cook-tops with up to 50,000 BTU output

TYPICAL SPECIFICATION

Power Pack shall be Ascension model HVA500SS

Power pack shall have a multi-speed fan switch and separate light switch.

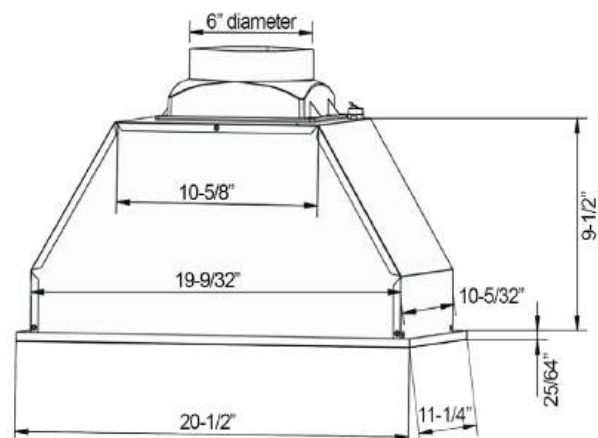
Fan should be ducted externally.

Fan must be equipped with Stainless Steel baffle filter.

Air delivery to be at least 500 CFM.

Unit shall be ETL listed.

VOLTS	AMPS	CFM	SONES	DUCT
120	3.58	250	6	6" round
120	3.58	375	10	6" round
120	3.58	500	14	6" round





Ascension 620 CFM Ventilator

SPECIFICATION SHEET



FEATURES

- Stainless Steel SS430
- 3 Speed motor
- 620 CFM
- 7" Outlet (Transition piece with backdraft damper to round ducting included)
- 2 Directional Lights
- LED (3 watt) lamps included (GU10)
- Hybrid Stainless Steel Baffle Filter with Aluminum Mesh (dishwasher safe)
- Power supply cord included
- Push Button Controls
- 1 Year Warranty
- Use with SY-HLB or SY-HLT series Liners
- Will accommodate cook-tops with up to 65,000 BTU output

TYPICAL SPECIFICATION

Power Pack shall be Ascension model HVA620SS.

Power pack shall have a multi-speed fan switch and separate light switch.

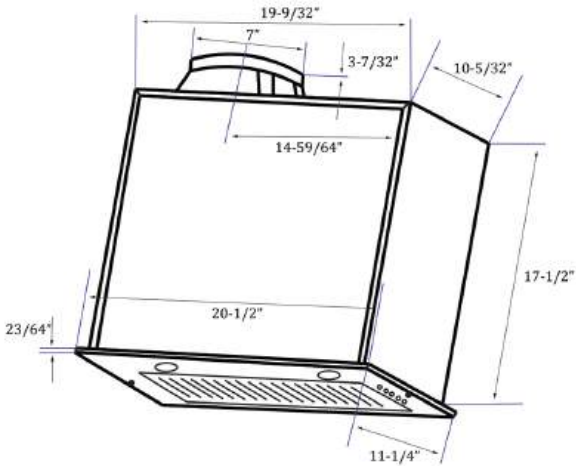
Fan should be ducted externally.

Fan must be equipped with Stainless Steel baffle type filter (or equivalent)

Air delivery to be at least 620 CFM.

Unit shall be ETL listed.

VOLTS	AMPS	CFM	SONES	DUCT
110-120/60hz	2.6	280	2.5	7" outlet
110-120/60hz	2.6	450	6	7" outlet
110-120/60hz	2.6	620	8.5	7" outlet



900 CFM Ventilator Power Pack



SPECIFICATION SHEET



FEATURES

- Stainless Steel SS430
- 4 Speed motor
- 280/460/670/900 CFM
- 6" Outlet (Transition piece with backdraft damper to round ducting included)
- 2 Directional Lights
- LED (3 watt) lamps included (MR11) 3000k
- Stainless Steel Baffle Filters (dishwasher safe)
- Power supply cord included
- Speed/Timer Panel with LCD (3 minute Auto Timer with delayed shutoff)
- 3 Year Warranty
- Use with SY-HLZ series Liners
- Will accommodate cook-tops with up to 90,000 BTU output

TYPICAL SPECIFICATION

Power Pack shall be Castlewood model HVA900SS.

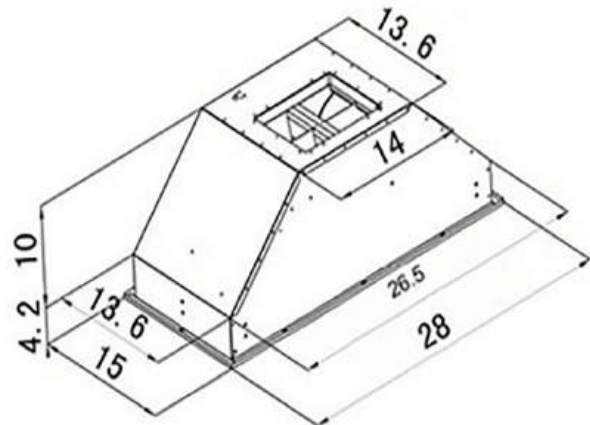
Power pack shall have a multi-speed fan switch and separate light switch.

Fan must be ducted externally.
Fan must be equipped with Stainless Steel Professional style baffle filters.

Air delivery to be at least 900 CFM and sound levels not greater than 6.5 Sones.

Unit shall be ETL listed.

VOLTS	AMPS	CFM	SONES	DUCT
110	3	280	1.2	6" outlet
110	3	460	2.6	6" outlet
110	3	670	4.2	6" outlet
110	3	900	6.5	6" outlet





1200 CFM Ventilator Power Pack

SPECIFICATION SHEET



HVA1200SS POWER PACK



FEATURES

- Stainless Steel SS430
- High Performance Dual Motor
- 280/460/670/1200 CFM
- 8" Outlet (Transition piece to round ducting included)
- 3 Directional Lights
- LED (3 watt) lamps included (MR11) 3000k
- Stainless Steel Baffle Filters (dishwasher safe)
- Power supply cord included
- Speed/Timer Panel with LCD (3 minute Auto Timer with delayed shutoff)
- 3 Year Warranty
- Use with SY-HLZ series Liners
- Will accommodate cook-tops with up to 120,000 BTU output

TYPICAL SPECIFICATION

Power Pack shall be Castlewood model HVA1200SS.

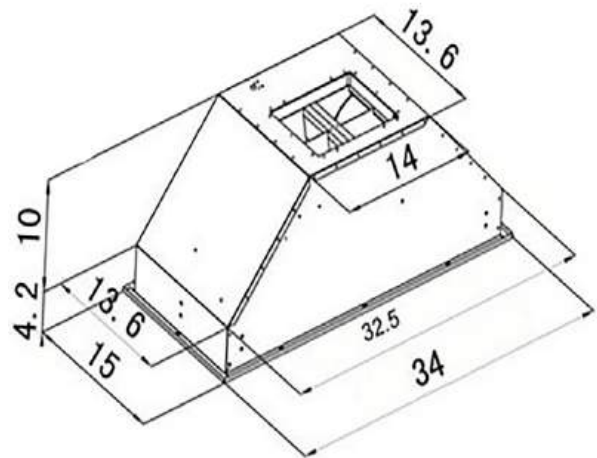
Power pack shall have a multi-speed fan switch and separate light switch.

Fan must be ducted externally.
Fan must be equipped with Stainless Steel Professional style baffle filters.

Air delivery to be at least 1200 CFM and sound levels not greater than 7 Sones.

Unit shall be ETL listed.

VOLTS	AMPS	CFM	SONES	DUCT
110	3 per motor	280	1.2	8" outlet
110	3 per motor	460	2.8	8" outlet
110	3 per motor	670	5	8" outlet
110	3 per motor	1200	7	8" outlet



Intertek



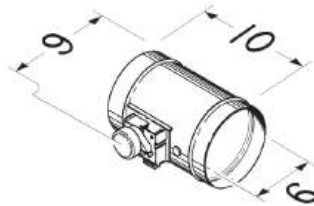
BROAN **AUTOMATIC MAKE-UP AIR DAMPER**



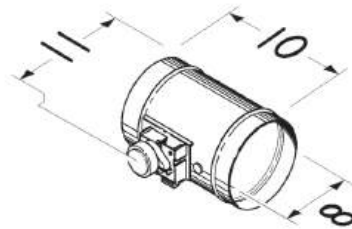
Broan's Automatic Make-up Air Damper provides interlocked damper operation so outside air is only allowed to enter the house when a connected fan or hood is operating.

Model MD6T (for 6" round duct)
Model MD8T (for 8" round duct)

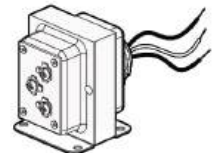
- 24 Volt, 60 Hz AC motor
- Normally closed damper
- Automatically opens when exhaust fans are activated
- Foam seals minimize air leakage
- 24 gauge galvanized steel construction
- Damper adjustment screw for balancing adjustments
- Compatible with select Broan and Ascension ventilation units
- Use with Fresh Air Inlet Model 641FA for 6" dampers, Fresh Air Inlet Model 643FA for 8" dampers (sold separately)
- Includes 24 Volt 20VA transformer



SY-H-MD6T



SY-H-MD8T



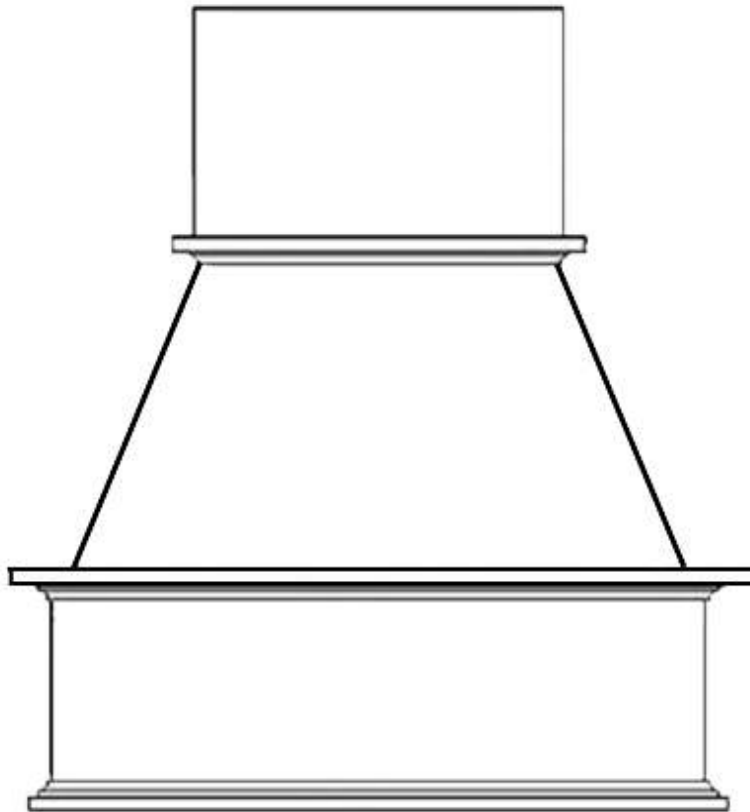
Transformer
Included with all models



Chimney Hood Mounting Instructions

CHIMNEY RANGE HOOD INSTALLATION INSTRUCTIONS:

- 1) Locate available studs in area where the Chimney Range Hood is to be installed.
- 2) Align Chimney Range Hood so at least two screws will be secured through each mounting strip and into the available studs.
- 3) Refer to manufacturers guidelines that accompany stove/cook-top that will be located beneath Chimney Range Hood.
- 4) Exposed wood edges should be no less than 30" above cooking surface.
- 5) Attach mounting strip (included) to wall using #8 x 2-1/2" framing screws.
- 6) Hang Chimney Range Hood on mounting strip and secure to wall using minimum #8 x 2-1/2" framing screws.
- 7) Install ventilation power pack into steel liner as outlined in ventilator instructions.
- 8) Mount liner/ventilator assembly to inside of hood opening using available mounting holes and secure unit with wood screws (#6 x 1/2").
- 9) Install ductwork or ductless kit according to ventilation manufacturer's guidelines.
- 10) To install Chimney Extension over ductwork the back stretchers may have to be cut. Cut away just enough of the stretcher to fit around the ductwork.
- 11) Secure the Chimney Extension to the Chimney Hood by toe nailing the base of the extension to the hood with brad nails.

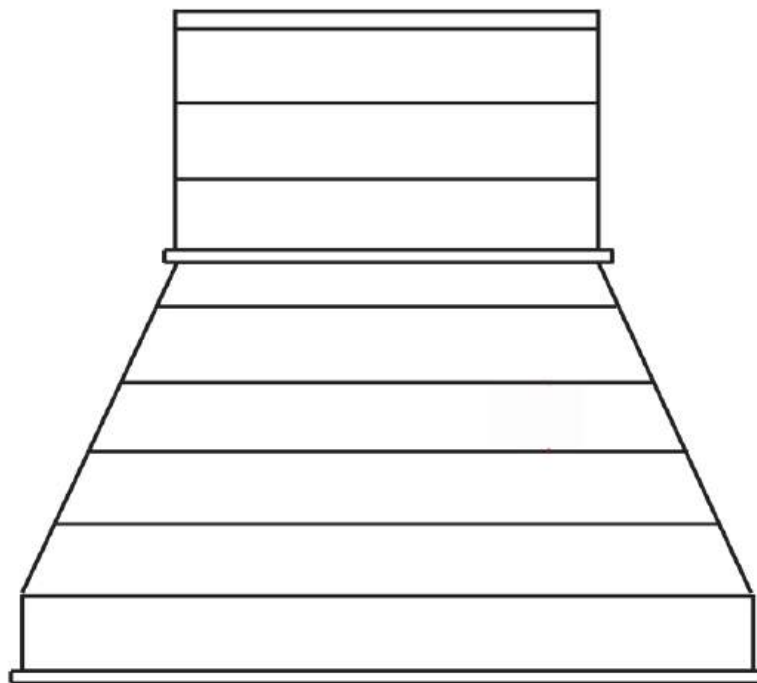


Shiplap Chimney Mounting Instructions



SHIPLAP CHIMNEY RANGE HOOD INSTALLATION INSTRUCTIONS:

- 1) Remove Shiplap Chimney Extension (shipped inside of Chimney Hood).
- 2) Locate available studs in area where the Shiplap Chimney Range Hood is to be installed.
- 3) Align Shiplap Chimney Range Hood so at least two screws will be secured through each mounting strip and into the available studs.
- 4) Refer to manufacturers guidelines that accompany stove/cook-top that will be located beneath Shiplap Chimney Range Hood.
- 5) Exposed wood edges should be no less than 30" above cooking surface.
- 6) Attach mounting strip (included) to wall using #8 x 2-1/2" framing screws.
- 7) Hang Shiplap Chimney Range Hood on mounting strip and secure to wall using minimum #8 x 2-1/2" framing screws.
- 8) Install ventilation power pack into steel liner as outlined in ventilator instructions.
- 9) Mount liner/ventilator assembly to inside of hood opening using available mounting holes and secure unit with wood screws (#6 x 1/2").
- 10) Install ductwork or ductless kit according to ventilation manufacturer's guidelines.
- 11) Trim Shiplap Chimney Extension to desired height.
- 12) To install Chimney Extension over ductwork the back stretchers may have to be cut. Cut away just enough of the stretcher to fit around the ductwork.
- 13) Secure the Chimney Extension to the Chimney Hood by toe nailing the base of the extension to the hood with brad nails.





Island Hood Mounting Instructions

HARDWOOD ISLAND CHIMNEY HOOD MOUNTING INSTRUCTIONS

CAUTION:

Mounting a Chimney style Hardwood Range Hood over an Island is a complex application. It is highly recommended that an experienced carpenter be consulted before installing to ensure proper structural support be employed to securely hang the island range hood from the ceiling. A completely assembled Hardwood Range Hood with a Liner and Ventilator unit installed will be very heavy. This is not a job for one person alone to attempt.

Materials Needed

Hardwood Island Range Hood
Range Hood Liner and Ventilation unit
(4) 2" x 2" x 24" Studs
#10 x 3" Wood Screws
#8 x 2" Wood Screws
Drill and Drill Bits
Ductwork
Nail Gun and 2" x 16 gauge nails

Stud Finder
Level
Tape Measure
Pencil
Screwdriver
Ladder
UL Listed Duct Tape
Electrical Outlet, Wiring, etc.

Step 1)

Locate the place above the cooktop where the Chimney Hood is to be hung. Using a Stud Finder, locate the ceiling joists and mark the location with a pencil. Trace a square or rectangle on the ceiling in the area of the joists equal to the inside dimensions of the Chimney Hoods Chimney Extension. Make sure that the ceiling joists (2) are inside the tracing. Carefully cut out the drywall in the traced area to expose the ceiling joists. Remeasure the opening to make sure that it matches the inside dimension for the Chimney Extension.

Step 2)

Using the 2" x 2" x 24" studs, screw one stud into the ceiling joist in each corner of the opening using #10 x 3" wood screws. Align the studs so that at least 6"- 8" of each are attached to the joist above and the remainder of the length is hanging down. Remeasure to make sure that the outside dimension of the protruding studs equals the inside dimension of the Chimney Extension. See figure 1.

Step 3)

It is now time to install an electrical outlet inside the opening above where the Chimney Hood is to be hung. A dedicated 20 amp circuit is recommended. Consult a electrician for proper wiring.

Step 4)

This is when the ducting will need to be fed thru the opening and connected from above. You will need to use Semi-Rigid Metal Ducting that can expand and contract. Once the ducting is connected above using UL Listed Duct Tape, carefully extend the ductwork downward and leave hanging approximately two feet below the opening in the ceiling above. Once the Chimney Hood is installed, you will connect the exposed ductwork to the outlet on the ventilation unit.

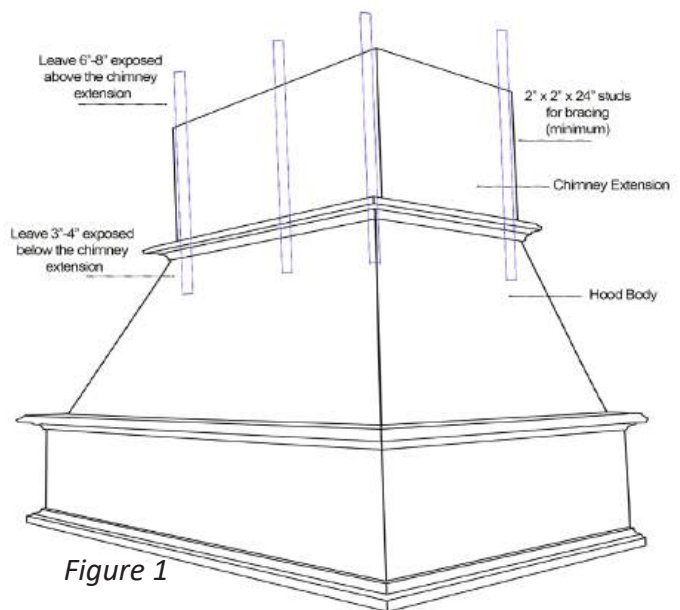


Figure 1

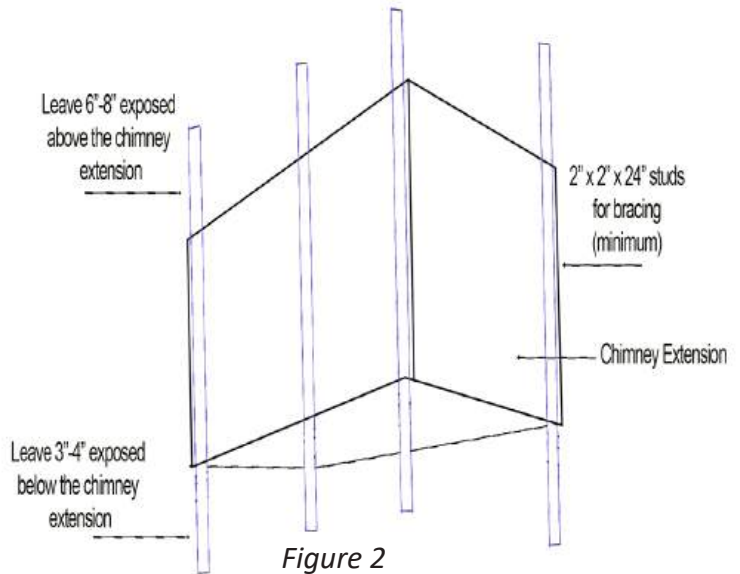


Island Hood Mounting Instructions

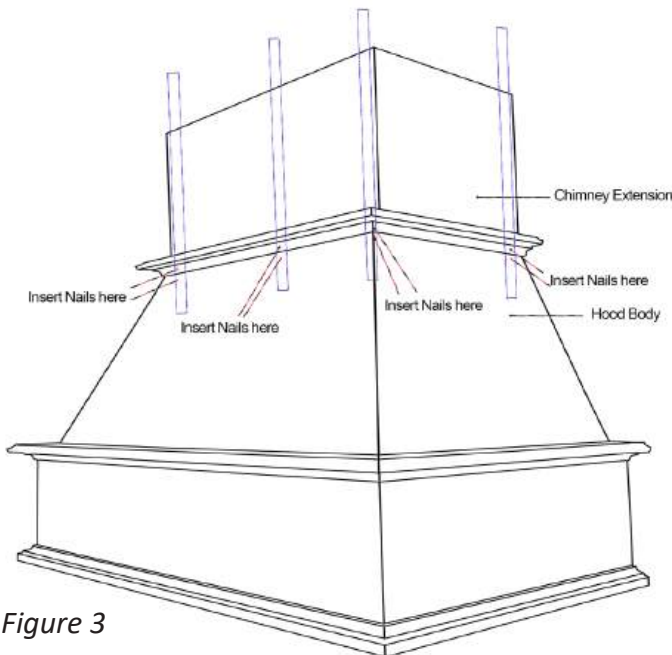


Step 5)

Slide the Chimney Extension up and over the exposed studs until it is flush with the ceiling. Fasten securely along the length of each stud with 2" x 16 gauge nails or 2" wood screws. You will be fastening from the inside of the chimney extension, thru the studs and into the chimney extension itself. This is done so you will not mar the exterior of the chimney extension. It is very important to make sure that the studs are securely mounted to the joists above and that the Chimney Extension is securely fastened to the studs. This assembly will be holding all the weight of the Chimney Hood body and ventilation system. Failure to securely fasten both the studs and the chimney extension could result in serious injury or damage to the cooktop below. See figure 2.



Once the Chimney Extension has been securely fastened you will be ready to attach the Island Hood body.



Step 6)

You will need two additional people to complete this step. Lift the hood body up over the exposed studs until it is flush with the bottom of the installed chimney extension. Securely fasten the hood body to the exposed studs using 2" x 16 gauge nails or 2" wood screws. You will be fastening from the inside of the hood body, thru the exposed studs and into the hood itself. You are doing this to not mar the finish of the island hood body. It is very important to use enough nails or screws to securely fasten the hood body to the support structure. Take some care to position each nail so you do not puncture the body of the island hood. See figure 3.

Once the hood body has been securely fastened to the support structure, you are ready to install the ventilation system per the manufacturers instructions.

Please note:

This is a guideline to assist in the mounting of a hardwood chimney style range hood above an island cooktop. The manufacturer assumes no liability for injury or damage due to faulty installation. Consult you local building codes and a qualified carpenter, electrician, and hvac professional to ensure a proper and safe installation.

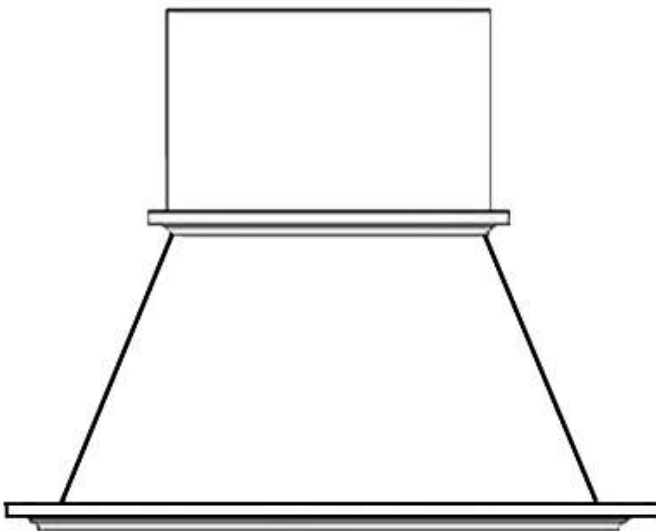




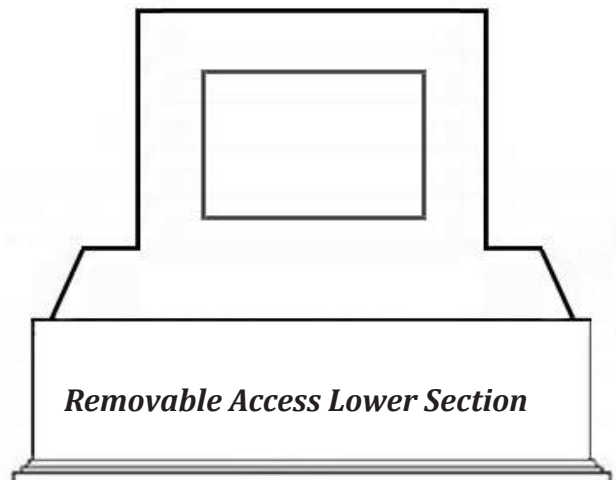
Removable Access Mounting Instructions

REMOVABLE ACCESS RANGE HOOD INSTALLATION INSTRUCTIONS:

- 1) Locate available studs in area where the Removable Access Range Hood is to be installed.
- 2) Align the Lower section of the Range Hood so at least two screws will be secured through the back and into each of the available studs.
- 3) Refer to manufacturers guidelines that accompany stove/cook-top that will be located beneath Chimney Range Hood.
- 4) Exposed wood edges should be no less than 30" above cooking surface.
- 5) Attach Lower Section of the Range Hood to wall using #8 x 2-1/2" framing screws.
- 6) Check to make sure Lower Section is secure before proceeding.
- 7) Install steel liner and ventilator in accordance with manufacturer's guidelines.
- 8) Mount liner/ventilator assembly to inside of hood opening using available mounting holes and secure unit with wood screws (#6 x 1/2").
- 9) Attach appropriate ducting and wiring in accordance with manufacturer's guidelines.
- 10) At this time the assembly is ready to be inspected in accordance with local building codes.
- 11) Slide Upper Section of the Range Hood over the Lower Section.
- 12) The two sections should nest with the decorative molding covering the seam between sections.
- 13) Using brad nails, fasten the upper section to lower section through the decorative molding.
- 14) To install Chimney Extension over ductwork the back stretchers may have to be cut. Cut away just enough of the stretcher to fit around the ductwork.
- 15) Secure the Chimney Extension to the Chimney Hood by toe nailing the base of the extension to the hood with brad nails.



Removable Access Upper Section



Removable Access Lower Section

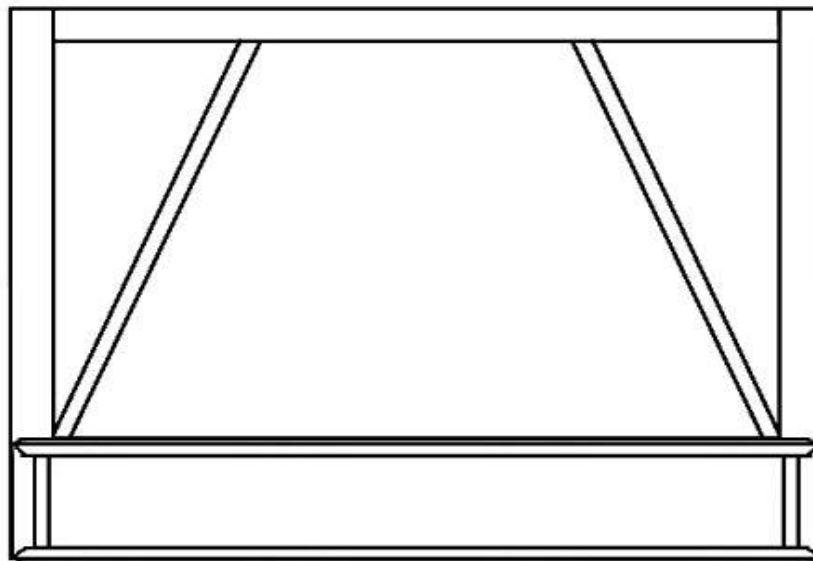


Range Hood Front Mounting Instructions



CHIMNEY RANGE HOOD FRONT INSTALLATION INSTRUCTIONS:

- 1) Chimney Range Hood Fronts are designed to be mounted between two wall cabinets.
- 2) Mount wall cabinets as outlined by manufacturer allowing 1/8" more space than the specified range hood width (i.e.; for 30" hood front use 30-1/8" spacing).
- 3) Exposed wood edges should be no less than 30" above cooking surface.
- 4) Drill 2-3 pilot holes horizontally through wall cabinet face frame on each side where range hood front is to be mounted.
- 5) Mount Ventilation Power Pack securely to T-Shaped Steel Liner as outlined in ventilator instruction packet.
- 6) Choose appropriate height and locate Liner/Ventilator assembly between two adjacent wall cabinets so that liner is a minimum of 30" above cooking surface and touching rear wall. The narrow portion of the T-Liner is to be facing forward with the ventilator duct opening pointed up.
- 7) Secure Liner/Ventilator assembly to adjacent wall cabinets with wood screws. Use two screws on each side (#6 x 1/2").
- 8) Fasten Liner assembly to rear wall, screwing into studs where available. If studs are not available, install using drywall anchors.
- 9) Install duct work or ductless kit to ventilator power pack according to manufacturer's guidelines.
- 10) Fit Chimney Range Hood Front into opening between adjacent wall cabinets so it is flush with wall cabinet face frame and covering Liner/Ventilator assembly.
- 11) Secure Chimney Range Hood Front to adjacent wall cabinets on both sides using framing screws (#8 x 2-1/2").

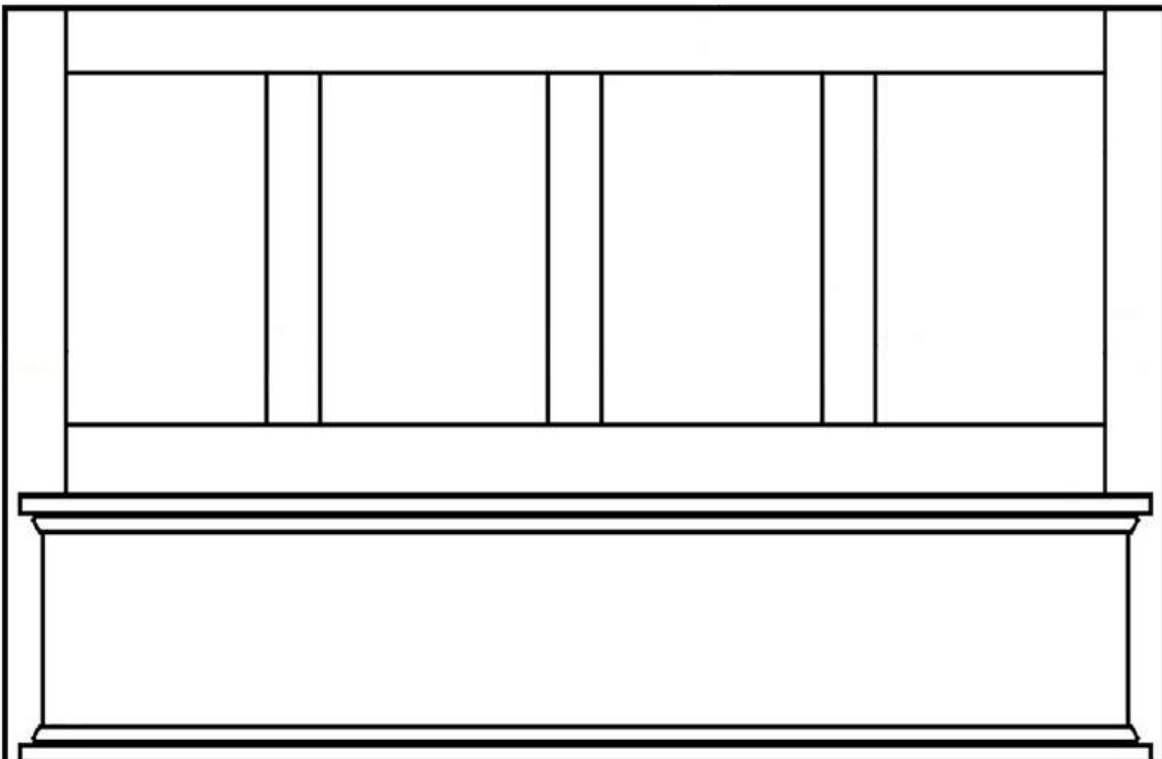




Mantel Hood Mounting Instructions

MANTEL RANGE HOOD INSTALLATION INSTRUCTIONS:

- 1) Remove range hood from carton.
- 2) Remove detachable panel (*if applicable*) by grabbing top of panel and pulling forward. Be sure to hold the panel securely to prevent dropping and any resulting damage.
- 3) Locate available studs in area where the Mantel Range Hood is to be installed.
- 4) Measure for desired height keeping in mind that exposed wood edges should be no less than 30" above cooking surface.
- 5) Align mounting strip with beveled edge pointing up and away from wall so that desired installed height of range hood is achieved.
- 6) Secure mounting strip to wall with at least two #8 x 2-1/2" framing screws.
- 7) Lift and hang range hood on mounting strip and finish by installing at least two framing screws thru each plywood mounting rail on back of range hood and into available wall studs.
- 8) Be sure that range hood is securely fastened to wall before attempting to install ventilation unit.
- 9) Install ventilation power pack into steel liner as outlined in ventilator instructions.
- 10) Mount liner/ventilator assembly to inside of hood opening using available mounting holes and secure unit with wood screws (#6 x 1/2").
- 11) Install ductwork or ductless kit according to ventilation manufacturer's guidelines.
- 12) Reinstall detachable panel (*if applicable*) by first seating panel bottom on top of mantel shelf, then aligning clips and applying pressure, first at bottom and then at the top, being careful to keep fastening clips aligned throughout.
- 13) Rehang doors (*if applicable*).

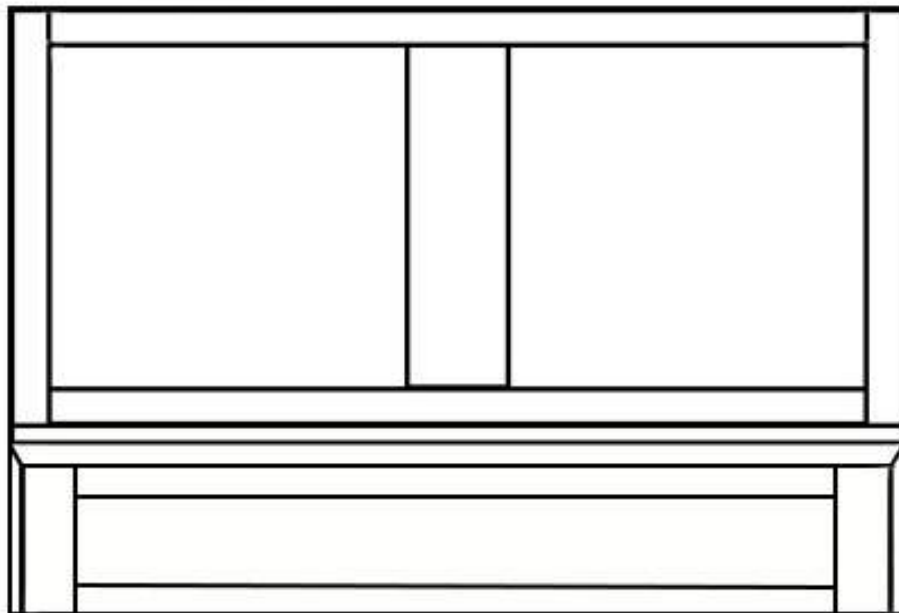


Mantel Hood Front Mounting Instructions



MANTEL RANGE HOOD FRONT INSTALLATION INSTRUCTIONS:

- 1) Mantel Range Hood Fronts are designed to be mounted between two wall cabinets.
- 2) Mount wall cabinets as outlined by manufacturer allowing 1/8" more space than the specified range hood width (i.e.; for 30" hood front use 30-1/8" spacing).
- 3) Exposed wood edges should be no less than 30" above cooking surface.
- 4) Drill 2-3 pilot holes horizontally through wall cabinet face frame on each side where range hood front is to be mounted.
- 5) Mount Ventilation Power Pack securely to T-Shaped Steel Liner as outlined in ventilator instruction packet.
- 6) Choose appropriate height and locate Liner/Ventilator assembly between two adjacent wall cabinets so that liner is a minimum of 30" above cooking surface and touching rear wall. The narrow portion of the T-Liner is to be facing forward with the ventilator duct opening pointed up.
- 7) Secure Liner/Ventilator assembly to adjacent wall cabinets with wood screws. Use two screws on each side (#6 x 1/2").
- 8) Fasten Liner assembly to rear wall, screwing into studs where available. If studs are not available, install using drywall anchors.
- 9) Install duct work or ductless kit to ventilator power pack according to manufacturer's guidelines.
- 10) Fit Mantel Range Hood Front into opening between adjacent wall cabinets so it is flush with wall cabinet face frame and covering Liner/Ventilator assembly.
- 11) Secure Chimney Range Hood Front to adjacent wall cabinets on both sides using framing screws (#8 x 2-1/2").
- 12) Install doors or decorative panels using hinges or false front clips (H-1083).

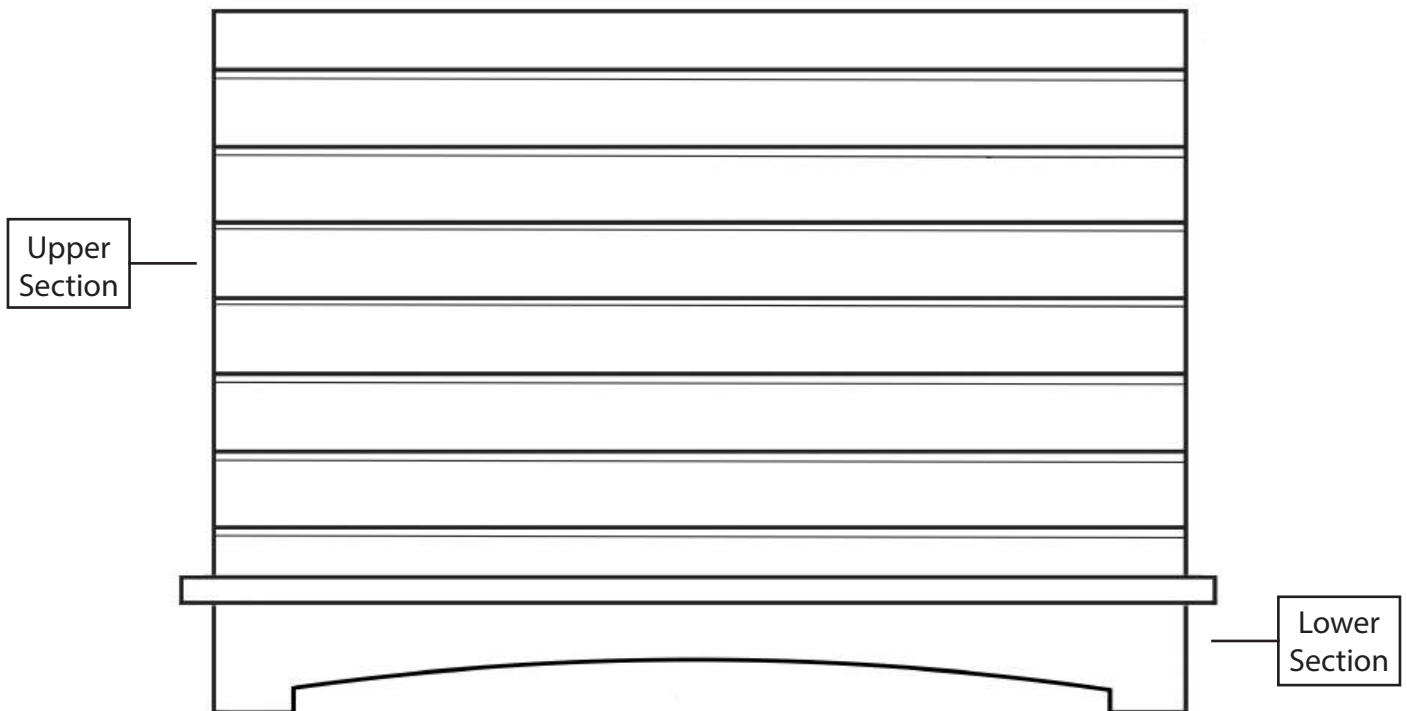




Box Hood Mounting Instructions

BOX RANGE HOOD INSTALLATION INSTRUCTIONS:

- 1) Remove range hood from carton.
- 2) Remove detachable panel (*if applicable*) by grabbing top of panel and pulling forward. Be sure to hold the panel securely to prevent dropping and any resulting damage.
- 3) Lift upper hood section up and off hood base assembly and set aside.
- 4) Locate available studs in area where the Box Range Hood is to be installed.
- 5) Measure for desired height keeping in mind that exposed wood edges should be no less than 30" above cooking surface.
- 6) Secure range hood base to wall studs with at least four #8 x 2-1/2" framing screws.
- 7) Be sure that range hood is securely fastened to wall before attempting to install ventilation unit.
- 8) Install ventilation power pack into steel liner as outlined in ventilator instructions.
- 9) Mount liner/ventilator assembly to inside of hood base opening using available mounting holes and secure unit with wood screws (#6 x 1/2").
- 10) Install ductwork or ductless kit according to ventilation manufacturer's guidelines.
- 11) Install upper hood section by lifting and placing on top of the mounted box range hood base.
- 12) Upper box hood section should nest with base assembly. Be sure that top section is aligned with base and flush with back wall.
- 13) Reinstall detachable panel (*if applicable*) by first seating panel bottom on top of mantel shelf, then aligning clips and applying pressure, first at bottom and then at the top, being careful to keep fastening clips aligned throughout.

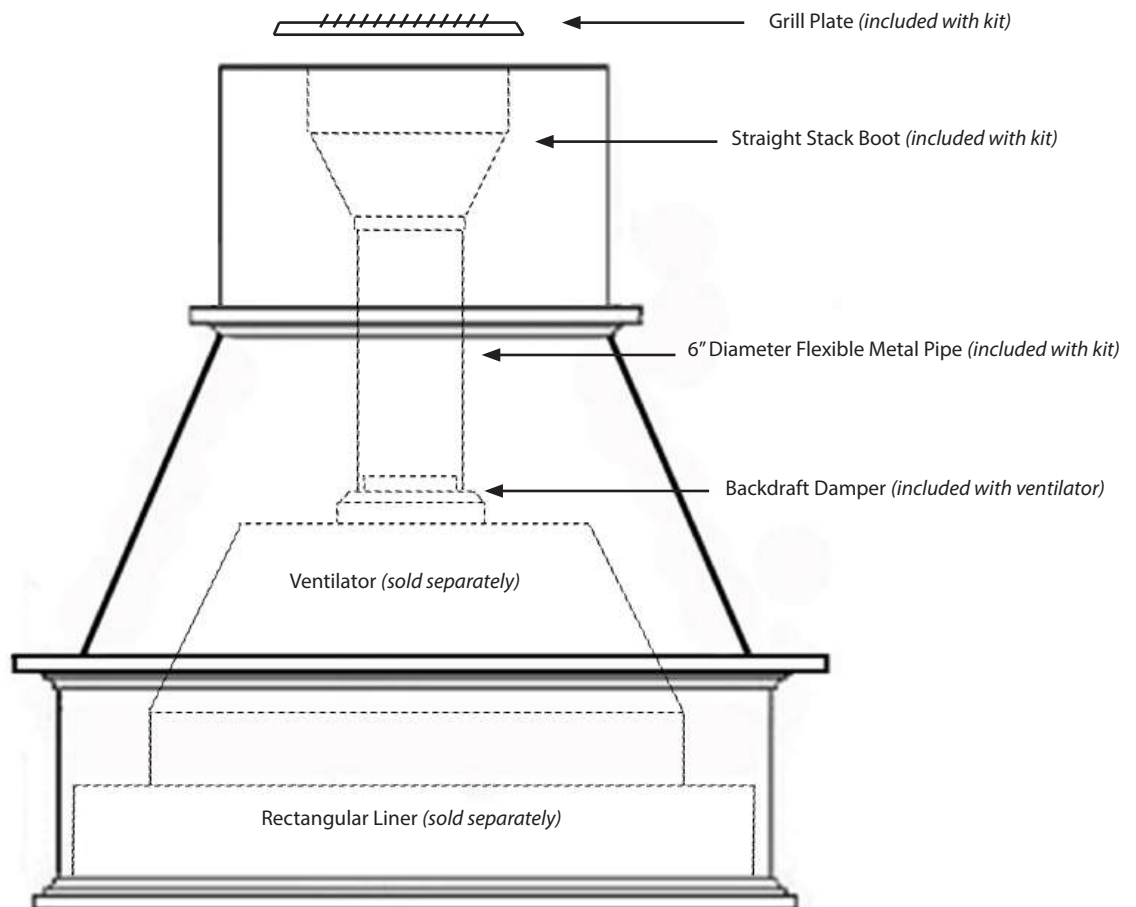


HVASDK Recirculating Kit Installation for Chimney Range Hoods



INSTALLATION INSTRUCTIONS HVASDK RECIRCULATING KIT FOR OUT THE TOP VENTING USED WITH HVA350SL, HVA350SS, HVA500SS POWER PACKS (Consult local building codes)

- 1) Install HVA350SL, HVA350SS or HVA500SS per installation instructions shipped with unit.
- 2) Remove aluminum filter or baffle filter and insert **charcoal filter** (HSCF124), reposition aluminum filter or baffle filter over charcoal filter and snap into place.
- 3) Connect **6" Round Flexible Metal Duct Pipe** to backdraft damper with UL listed aluminum foil duct tape. Pipe may need to be trimmed to desired length.
- 4) Connect Straight **Stack Boot** to top of 6" diameter duct pipe. Secure with UL listed aluminum foil duct tape.
- 5) If chimney hood being mounted includes **Chimney Extension**, install extension. A plywood cap may be needed on top of the chimney extension to keep stack boot in place. Cut a 4" x 10" opening in plywood cap aligned with location of stack boot opening.
- 6) Position **Grill Plate** on top of Stack Boot to cover opening.



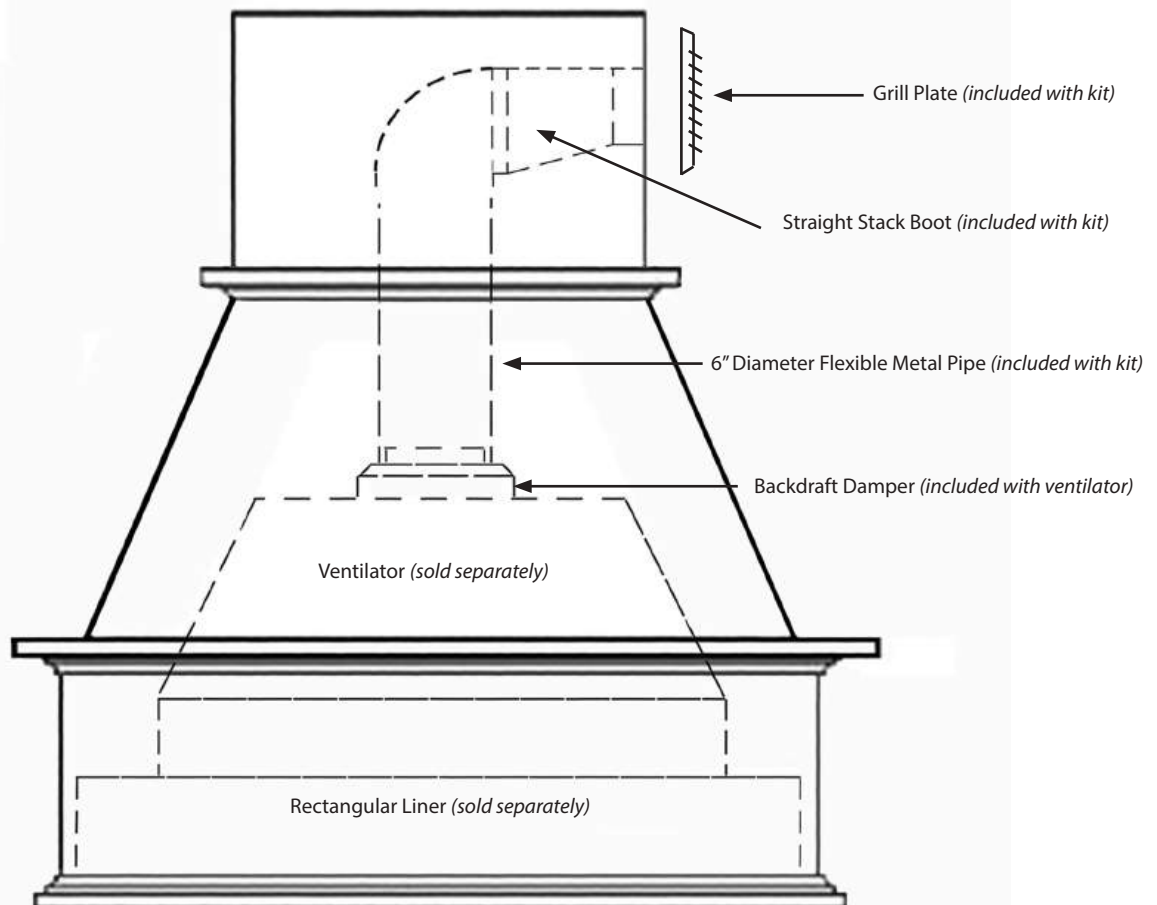
HVASDK Recirculating Kit Installation for Chimney Range Hoods

INSTALLATION INSTRUCTIONS

HVASDK DUCTLESS CONVERSION KIT FOR OUT THE SIDE VENTING USED WITH HVA350SL, HVA350SS and HVA500SS POWER PACKS

(Consult local building codes)

- 1) Install HVA350SL or HVA350SS per installation instructions shipped with unit.
- 2) Remove aluminum filter or baffle filter and insert **charcoal filter** (HSCF124), reposition aluminum filter or baffle filter over charcoal filter and snap into place.
- 3) Connect **6" Round Flexible Metal Duct Pipe** to backdraft damper with UL listed aluminum foil duct tape. Pipe may need to be trimmed to desired length.
- 4) Connect Straight **Stack Boot** to 90° **Elbow**. Secure with UL listed aluminum foil duct tape.
- 5) Carefully bend Flexible Metal Duct Pipe and Stack Boot assembly so that it alligns with desired discharge point making sure bend is gradual and ducting is not kinked.
- 6) Measure and cut a 4" x 10" hole in right or left side of the **Chimney Extension**, positioned in line with the stack boot opening.
- 7) Install Chimney Extension.
- 8) Position **Grill Plate** over opening on side of Chimney Extension.



Follow these instructions to ensure proper mounting of Floating Shelves and to provide maximum weight capacity.



Floating Shelf Bracket Installation Instructions

Tools Needed

Measuring tape	Pencil	T10 torx drive bit
Laser level (optional)	Impact driver	#1 square drive bit
Level	T25 torx drive bit	Drill
Stud finder		

Parts Included

[2] Shelf bracket arms	[2] 1.5" self-tapping trim screws
[2] Base plates	[2] 1" self-tapping trim screws
[4] Cabinet screws	[1] 5/32" drill bit
[4] 1-5/8" trim screws	

Installation Instructions

Step 1: Using a laser level or level as a guide, draw a horizontal line on the selected wall or area at the desired installation height taking into account the thickness of the shelf. The line must be as long as the shelf that's being installed.

Step 2: Use a stud finder to find wall studs to mount your brackets on within the length of the horizontal line. Use a pencil to draw a vertical line in the center of each stud up 1" from the horizontal line.

Step 3: Place the provided adhesive mounting template on the wall where the shelf bracket will be fastened. The top edge of the template should be on the horizontal line and the vertical center line should match the vertical line on the wall.

Step 4: With an impact and a T25 drive bit, drive a cabinet screw into the lower indicator on the mounting template, leaving approximately 1/8" between the head of the screw and the wall.

Step 5: Fit the base plate on the lower screw and drive the top screw through the upper hole in the base plate.

Step 6: Lock the shelf bracket arm into the base plate.

Step 7: To level the bracket, place a level on top of the bracket arm and, using an impact with a T25 bit, rotate the bottom screw clockwise or counter-clockwise. Pitch the bracket arm up slightly to compensate for the weight of the shelf. Make sure to level the brackets with each other.

Step 8: With an impact and T10 drive bit, drive the 1-5/8" trim screws into the lower two holes in the base plate.

Repeat steps 3-8 for each shelf bracket.

Step 9: Slide the shelf onto the shelf brackets and push it firmly against the wall. Measure 2" out from the lines drawn in step 2 and use a drill with the 5/32" bit to drill to, but not through, the brackets. Use an impact with a #1 square drive bit to drive a 1" self-tapping screw (for shelves with 1/2" top thickness) or a 1.5" self-tapping screw (for shelves with more than 1/2" top thickness) through each hole and into the brackets to secure the shelf to the wall.



Follow these instructions to properly replace the control switch assembly in Ascension 350 and 500 CFM ventilation units.

Installation instructions for replacing push button switch in a HVA350 ventilator

Tools required: Phillips Screwdriver (*preferably with Magnetic Tip*)

- 1) Switch off power to unit by turning off Circuit Breaker.
- 2) Remove Liner/Ventilator Assembly from wooden range hood.
- 3) Remove Ventilator from Liner.
- 4) Remove Light Bulbs.
- 5) Remove Face Plate.
- 6) Remove 2 screws from Switch Housing Bracket located on right side of unit.
- 7) Remove Switch from Switch Housing.
- 8) Remove 2 screws from Electrical Junction Box.
- 9) Make note of Colored Wires.
- 10) Undo Wire Harness one wire at a time and reattach corresponding colored wires from the Replacement Switch using the existing Wire Nuts.

FROM NEW SWITCH

GREY TO
 BLACK TO
 RED TO
 YELLOW TO
 BROWN TO

FROM MOTOR/LIGHTS/ELECTRICAL CORD

GREY FROM MOTOR
 BLACK FROM MOTOR *(White on SY-HVA-500-SS unit)
 BROWN FROM MOTOR *(Black on SY-HVA-500-SS unit)
 BLACK FROM LIGHTS
 BLACK FROM ELECTRICAL CORD

- 11) Attach New Switch to Switch Housing Bracket.
- 12) Reinstall Switch Housing Bracket by fastening 2 screws to the Right side of unit.
- 13) Reinstall Electrical Junction Box Cover.
- 14) Reattach Face Plate.
- 15) Reinstall Light Bulbs.
- 16) Plug in Unit and Test.
- 17) Reinstall Liner/Ventilator assembly into wooden range hood.
- 18) Turn on Circuit Breaker.



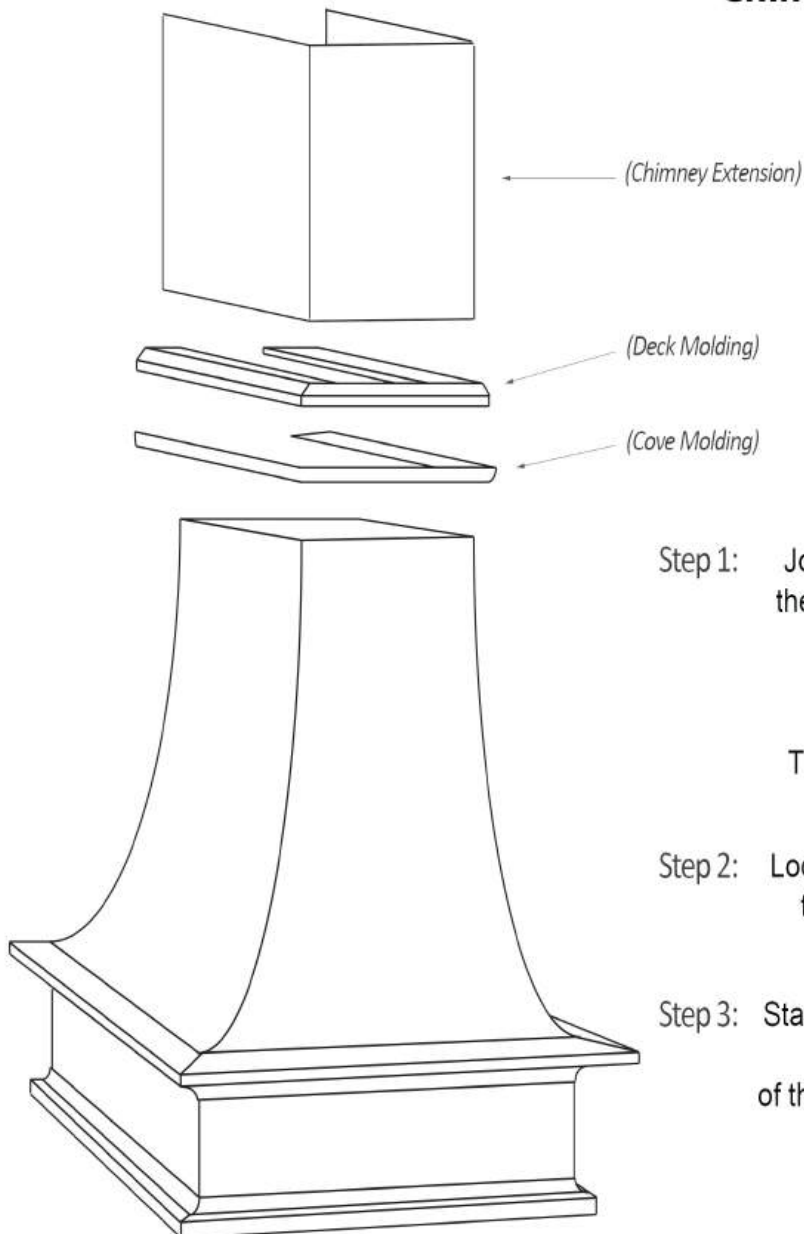
* This Switch assembly can also be used on the SY-HVA-500-SS unit.



Follow these instructions to properly locate and attach Chimney Extension Trim Kits.



Chimney Trim Kit Installation



- Step 1: Join the three **deck molding** pieces together at the miters to create a frame and sit the assembly atop chimney hood so the outside edge of the unit overhangs the top edge of the hood by approximately 3/4". The assembled frame may need to be trimmed at the back to achieve the desired depth.
- Step 2: Locate the **decorative cove molding** underneath the deck molding and apply against the body of the range hood.
- Step 3: Stack the **chimney extension** atop the assembled trim kit and set back so approximately 3/4" of the trim kit sticks out past the chimney extension.



Castlewood by AMS
P.O. Box 788
Haleyville, AL 35565
www.castlewood.com
info@castlewood.com



Copyright © 2025 Castlewood by AMS, All rights reserved.